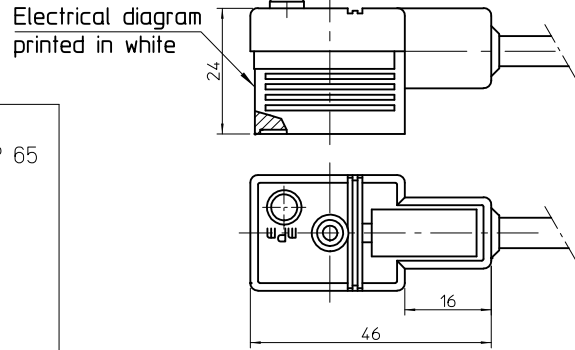
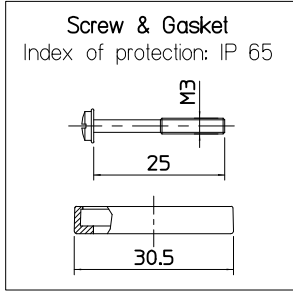


Table of length tolerances

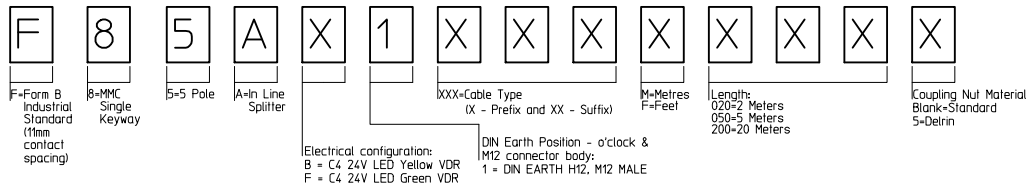
Over	Up to and including	Tolerance (+)
0	305	+19
305	915	+45
915	1830	+56
1830	3660	+89
3660	7320	+165
7320	14640	+317
14640	30500	+610
30500	>	+2% of length



PN's List

Engineering number	Molex PN	Cable Length [mm]	Cable type
F85AB1112M040	1210360486	4000	CEI PVC Grey 0.5mm ²
F85AB1E12M0155	1210360535	1500	PVC Black 0.5mm ²
F85AB1P12M010	1210360549	1000	PUR Black 0.5mm ²
F85AB1E12M006	1210360619	600	PVC Black 0.5mm ²
F85AB1P12M006	1210360664	600	PUR Black 0.5mm ²
F85AF1E12M010	1210360536	1000	PVC Black 0.5mm ²

PART No MATRIX - PN KEY



PRE-RELEASE
REFERENCE
USE ONLY

Notes:
1. Dimensions without tolerance are referential.

REV	DESCRIPTION	QUALITY SYMBOLS	GENERAL TOLERANCES (UNLESS SPECIFIED)		DIMENSION STYLE		SCALE	DESIGN UNITS	THIRD ANGLE PROJECTION
			mm	INCH	MM ONLY				
A1	ADDED PN EC NO: DRWN:APAWLAK01 CHKD:FGAIK APPR:	=0 =0	4 PLACES	± ---	± ---	DRAWN BY	DATE	TITLE	F85AX1XXXXXX ILS - 2 X DIN-B H12 C4 M12 5P AC MA molex
			3 PLACES	± ---	± ---	JMARSZALEK	2013/07/12		
			2 PLACES	± ---	± ---	MSZWAJKOWSKI	2013/07/12		
			1 PLACE	± ---	± ---	APPROVED BY	DATE		
			0 PLACE	± ---	± ---	MIWASIECZKO	2014/01/30		
				ANGULAR ± ---°		MATERIAL NO.		DOCUMENT NO.	SHEET NO.
				DRAFT WHERE APPLICABLE MUST REMAIN WITHIN DIMENSIONS		SEE PN KEY		SD-121036-010	1 OF 1

X-ON Electronics

Largest Supplier of Electrical and Electronic Components

Click to view similar products for [Circular MIL Spec Connector](#) category:

Click to view products by [Molex](#) manufacturer:

Other Similar products are found below :

[89075GULPR](#) [0025-262-542](#) [0025-264-3014](#) [58-570121-04S](#) [0134-213-1208](#) [0134-213-2209](#) [0025-258-000](#) [60-042022-07P](#) [60-042022-19P](#)
[60-042022-23P](#) [60-042217-10P](#) [0114-201-1278](#) [012-0467-000](#) [602GB06EG24-61SN](#) [0134-201-1207](#) [0134-213-1006](#) [6104-207-2302](#) [6104-](#)
[208-1902](#) [61-168211-04P](#) [61-168617-10P](#) [6131-202-19149P](#) [6131-204-21149P](#) [6131-208-13149P](#) [6131-209-17149P](#) [6131-210-11149P](#) [6131-](#)
[211-19149P](#) [6131-216-19149P](#) [6131-259-21149P](#) [6131-259-23149P](#) [6131-265-17149P](#) [6131-265-19149P](#) [CS3100A18-1P-472](#) [CS3100A-36-](#)
[77P](#) [CS3101A-16-55P](#) [CS3102A-10SL-55P](#) [CS3102A-14S-58P](#) [CS3102A-32-17P](#) [CS3102A32-25S](#) [CS3102C18-4P-472](#)
[CS3106A10SL3S004](#) [CS3106A-18-73S](#) [CS3108A-14S-52S](#) [CS3108A-28-51S](#) [6162-233-1277](#) [6162-324-1231](#) [M243082296Z](#)
[M2884010AC1S1](#) [CT0-24-10SC](#) [CT0M20-7PCAU](#) [M28840/17AC1G3](#)