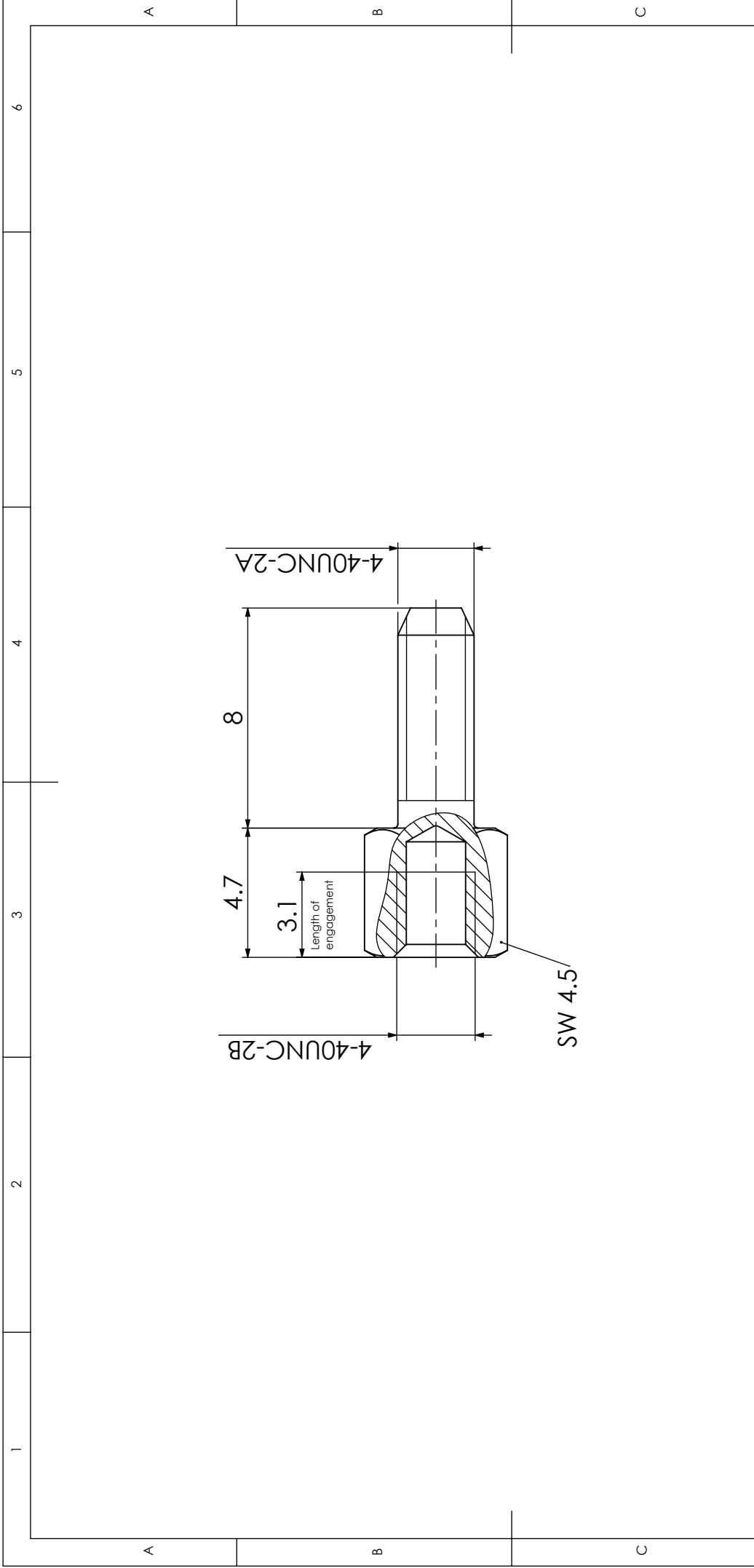


COMMENT:
 ALL RIGHTS ARE RESERVED BY US FOR THIS DRAWING. WITHOUT OUR PRIOR CONSENT,
 IT MAY NEITHER BE DUPLICATED NOR MADE AVAILABLE TO A THIRD PARTY,
 AND IT ALSO MAY NOT BE IMPROPERLY USED BY THE RECEIVER, OR A THIRD PARTY.

1	2	3	4	5	6																							
	Material	Surface	Screw (quantity)	Washer (quantity)	Spring washer (quantity)	Nut (quantity)	Package	Notice																				
A	F-GSCH1/5	Steel	zinc plated	2	4	2	2	in pairs	Packed together in a bag																			
	F-GSCH1/5SN	Steel	tin plated	2	4	2	2	in pairs	Packed together in a bag																			
	F-GSCH1/5S	Steel	zinc plated	max. 5000	max. 10000	max. 5000	max. 5000	bulk packed	Individually packed in bags																			
	F-GSCH1/5SSN	Steel	tin plated	max. 5000	max. 10000	max. 5000	max. 5000	bulk packed	Individually packed in bags																			
	F-GSCH1/5-K178	Steel	gold plated	2	4	2	2	in pairs	Packed together in a bag																			
B	F-GSCH1/5-K320	Steel	zinc plated	max. 5000	-	-	-	bulk packed																				
	F-GSCH1/5-K320SN	Steel	tin plated	max. 5000	-	-	-	bulk packed																				
	F-GSCH1/5-K498	Steel	zinc plated	2	2	-	-	in pairs	Packed together in a bag																			
	F-GSCH1/5-K498SN	Steel	tin plated	2	2	-	-	in pairs	Packed together in a bag																			
	F-GSCH1/5-K660	Steel	zinc plated	max. 5000	-	max. 5000	-	bulk packed	Individually packed in bags																			
C	F-GSCH1/5-K660SN	Steel	tin plated	max. 5000	-	max. 5000	-	bulk packed	Individually packed in bags																			
	F-GSCH1/5-K940	Steel	zinc plated	2	4	2	2	in pairs	Customized printing																			
	F-GSCH1/5SSN-K940	Steel	tin plated	2	4	2	2	in pairs	Customized printing																			
	F-GSCH1/5-K1074	Steel	zinc plated	500	500	500	500	bulk packed	Individually packed in bags																			
	F-GSCH1/5-K1074SN	Steel	tin plated	500	500	500	500	bulk packed	Individually packed in bags																			
D	F-GSCH1/5-K1111	Steel	zinc plated	1	2	1	1	Half set	Packed together in a bag																			
	F-GSCH1/5-K1111SN	Steel	tin plated	1	2	1	1	Half set	Packed together in a bag																			
<p>③</p>																												
<table border="1"> <thead> <tr> <th colspan="2">TITLE</th> <th>SCALE</th> </tr> </thead> <tbody> <tr> <td colspan="2">Female Screw Lock F-GSCH1/5</td> <td>2:1</td> </tr> </tbody> </table>									TITLE		SCALE	Female Screw Lock F-GSCH1/5		2:1														
TITLE		SCALE																										
Female Screw Lock F-GSCH1/5		2:1																										
<table border="1"> <thead> <tr> <th colspan="2">DRAWN</th> <th>NAME / DATE</th> </tr> </thead> <tbody> <tr> <td colspan="2">Denzinger 16-04-2003</td> <td></td> </tr> <tr> <th colspan="2">CHECKED</th> <th>NAME / DATE</th> </tr> <tr> <td colspan="2">Markus Jobst 07-05-2010</td> <td></td> </tr> </tbody> </table>									DRAWN		NAME / DATE	Denzinger 16-04-2003			CHECKED		NAME / DATE	Markus Jobst 07-05-2010										
DRAWN		NAME / DATE																										
Denzinger 16-04-2003																												
CHECKED		NAME / DATE																										
Markus Jobst 07-05-2010																												
<table border="1"> <thead> <tr> <th>REV.</th> <th>DATE</th> <th>CH.-NO.</th> <th>DWG.NO.</th> <th>REV.</th> </tr> </thead> <tbody> <tr> <td>3</td> <td>07-05-2010</td> <td>22599</td> <td>F62M031_D</td> <td>3</td> </tr> <tr> <td>2</td> <td>01-07-2003</td> <td>2 1262</td> <td></td> <td></td> </tr> <tr> <td>1</td> <td></td> <td></td> <td></td> <td></td> </tr> </tbody> </table>									REV.	DATE	CH.-NO.	DWG.NO.	REV.	3	07-05-2010	22599	F62M031_D	3	2	01-07-2003	2 1262			1				
REV.	DATE	CH.-NO.	DWG.NO.	REV.																								
3	07-05-2010	22599	F62M031_D	3																								
2	01-07-2003	2 1262																										
1																												
<table border="1"> <thead> <tr> <th>1</th> <th>2</th> <th>REPLACEMENT FOR:</th> </tr> </thead> <tbody> <tr> <td></td> <td></td> <td>ORIGINAL: DIN A4-DRAWING AS A FILE</td> </tr> </tbody> </table>									1	2	REPLACEMENT FOR:			ORIGINAL: DIN A4-DRAWING AS A FILE														
1	2	REPLACEMENT FOR:																										
		ORIGINAL: DIN A4-DRAWING AS A FILE																										
<table border="1"> <thead> <tr> <th>REV.</th> <th>DATE</th> <th>CH.-NO.</th> <th>REPLACEMENT FOR:</th> </tr> </thead> <tbody> <tr> <td></td> <td></td> <td></td> <td></td> </tr> </tbody> </table>									REV.	DATE	CH.-NO.	REPLACEMENT FOR:																
REV.	DATE	CH.-NO.	REPLACEMENT FOR:																									
<table border="1"> <thead> <tr> <th>1</th> <th>2</th> <th>PAGES</th> </tr> </thead> <tbody> <tr> <td></td> <td></td> <td>2</td> </tr> </tbody> </table>									1	2	PAGES			2														
1	2	PAGES																										
		2																										

COMMENT:
 ALL RIGHTS ARE RESERVED BY US FOR THIS DRAWING. WITHOUT OUR PRIOR CONSENT,
 IT MAY NEITHER BE DUBLICATED NOR MADE AVAILABLE TO A THIRD PARTY,
 AND IT ALSO MAY NOT BE IMPROPERLY USED BY TE RECEIVER, OR A THIRD PARTY.



see page 2		Material		Surface plating / Colour / Class	
Part No.		Measurement without tolerance occ. to	SCALE	TITLE	
		ISO 2768-m	2:1	Female Screw Lock	
		NAME / DATE		F-GSCHI/5	
		DRAWN Denzinger			
		CHECKED Markus Jobst			
3	07-05-2010	22599	DWG.NO.		REV.
2	01-07-2003	2 1262	F62M031_D		3
1					
REV.	DATE	CH.-NO.	REPLACEMENT FOR:		PAGES
		2			2



ORIGINAL: DIN A4-DRAWING AS A FILE

X-ON Electronics

Largest Supplier of Electrical and Electronic Components

Click to view similar products for [D-Sub High Density Connectors](#) category:

Click to view products by [Molex](#) manufacturer:

Other Similar products are found below :

[1484349-1](#) [163A16769X](#) [163A16809X](#) [163A17089X](#) [164A17199X](#) [164A17209X](#) [164A17479X](#) [164A18209X](#) [17BH-044S-AA110](#) [K86X-AD-26S](#) [KF66X-A26P-NJ](#) [KF66X-E15P-N](#) [241A17320X](#) [242A18390X](#) [242A25740X](#) [L717HDB44POL2R210](#) [L717HDCH62POL2RM5](#) [L717HDEH15POL2](#) [L777HDE15P](#) [L77HDC62S](#) [L77HDE15SC309](#) [163A16779X](#) [163A16839X](#) [163A17049X](#) [163A17079X](#) [164A17309X](#) [164A17329X](#) [164A18219X](#) [241A16440X](#) [241A16550X](#) [241A16680X](#) [241A17390X](#) [241A20810X](#) [241A25740X](#) [CT25-44P](#) [K66X-E15S-N30](#) [K86X-BA-44S](#) [K86X-ED-15S-BR15](#) [K86X-ED-15SK](#) [L177HDE15SOL2RM23](#) [L177HRC62S](#) [L177HRC62SVFM](#) [L177HRCG62S](#) [L717HDBH44POL2RM5](#) [L717HDEG15POL2RM5](#) [L77HDA26SVF](#) [L77HDE15SD1CO](#) [L77HDEH15SOL2RM832](#) [DAMA-15S-WS](#)
[443895-3](#)