

# NATURAL HEADERS

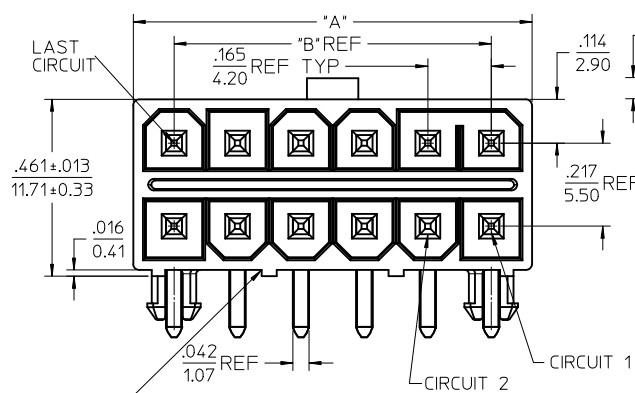
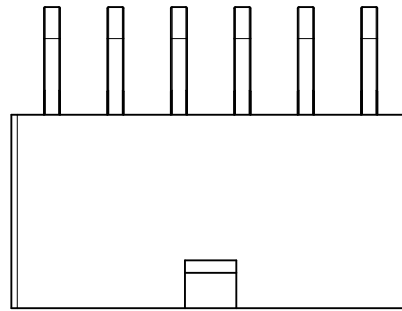
30070-1232	12	GOLD	1.039	.827
30070-1235	12	TIN	(26.40)	(21.00)
30070-1032	10	GOLD	.874	.661
30070-1035	10	TIN	(22.20)	(16.80)
30070-0832	8	GOLD	.709	.496
30070-0835	8	TIN	(18.00)	(12.60)
30070-0632	6	GOLD	.543	.331
30070-0635	6	TIN	(13.80)	(8.40)
30070-0432	4	GOLD	.378	.165
30070-0435	4	TIN	(9.60)	(4.20)
30070-0232	2	GOLD	.213	—
30070-0235	2	TIN	(5.40)	—

PART NUMBER	CKT. SIZE	PLATING	DIM. "A"	DIM. "B"
-------------	-----------	---------	----------	----------

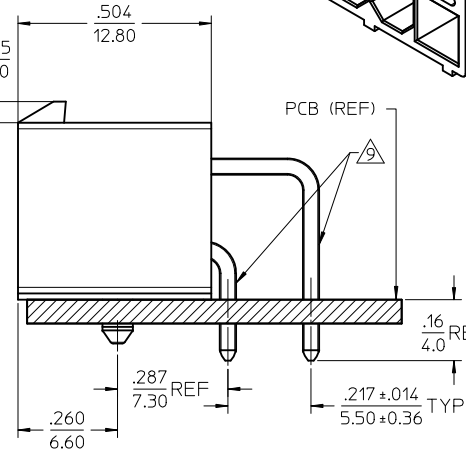
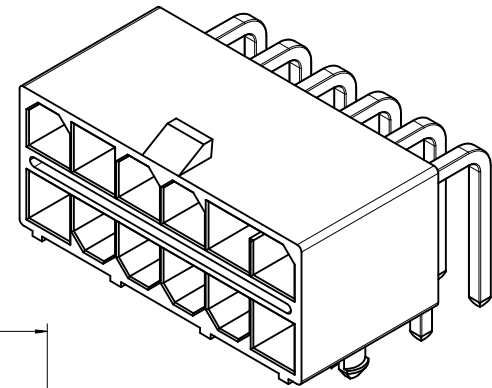
# BLACK HEADERS

30070-1212	12	GOLD	1.039	.827
30070-1215	12	TIN	(26.40)	(21.00)
30070-1012	10	GOLD	.874	.661
30070-1015	10	TIN	(22.20)	(16.80)
30070-0812	8	GOLD	.709	.496
30070-0815	8	TIN	(18.00)	(12.60)
30070-0612	6	GOLD	.543	.331
30070-0615	6	TIN	(13.80)	(8.40)
30070-0412	4	GOLD	.378	.165
30070-0415	4	TIN	(9.60)	(4.20)
30070-0212	2	GOLD	.213	—
30070-0215	2	TIN	(5.40)	—

PART NUMBER	CKT. SIZE	PLATING	DIM. "A"	DIM. "B"
-------------	-----------	---------	----------	----------



SHOWN WITH OPTIONAL CENTER RIBS  
MAY OR MAY NOT BE PRESENT  
DEPENDING ON CIRCUIT SIZE



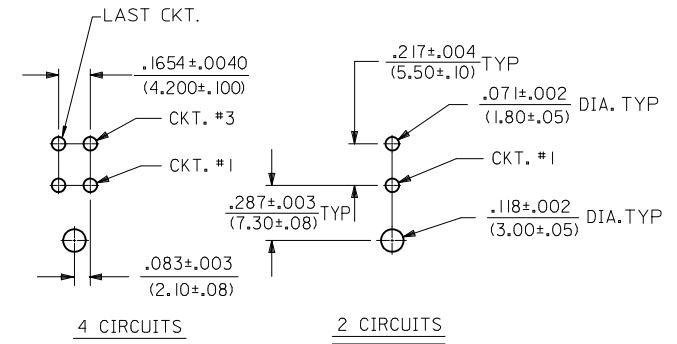
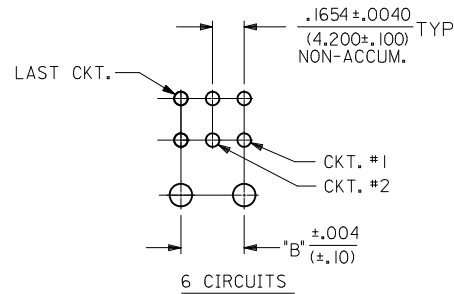
### FINISHED PART LEGEND

30070 - \* \* \* \*  
 BASE NUMBER  
 CIRCUIT SIZE  
 PCB MOUNTING & COLOR  
 \*1' = PEG, COLOR = BLACK  
 \*2' = FLANGE (SEE SHEET 2)  
 \*3' = PEG, COLOR = NATURAL  
 PLATING (SEE NOTE 2)

### NOTES:

- MATERIAL:  
HOUSING: POLYESTER, UNFILLED, UL94 V-0, COLOR: SEE CHART  
TERMINALS: BRASS
- TERMINAL PLATING:  
5-.000100/(0.00254) MIN. MATTE TIN OVER  
.000050/(0.00127) MIN. NICKEL  
2-.000030/(0.00076) MIN. SELECT GOLD AND  
.000100/(0.00254) MIN. SELECT MATTE TIN OVER  
.000050/(0.00127) MIN. NICKEL OVERALL
- PRODUCT SPECIFICATION: PS-5556-003
- PACKAGING: BULK PER PK-30070-001
- PART MATES WITH MINI-FIT JR. TPA RECEPTACLE 30067.
- PARTS ARE NOT TO BE MATED OR UNMATED WHILE CIRCUITS ARE LIVE.
- DISCOLORATION ON THE BANDOLIER CARRIER AREA OF THE PIN IS ACCEPTABLE.
- PARTS CONFORM TO CLASS "B" REQUIREMENTS OF COSMETIC SPECIFICATION PS-45499-002.
- FORMING MARKS ARE ACCEPTABLE.
- PARTS ARE NOT DESIGNED FOR CURRENT SHARING.

### OPTION 1 AND 3 PEG MOUNT SEE SHEET 2 FOR FLANGE MOUNT



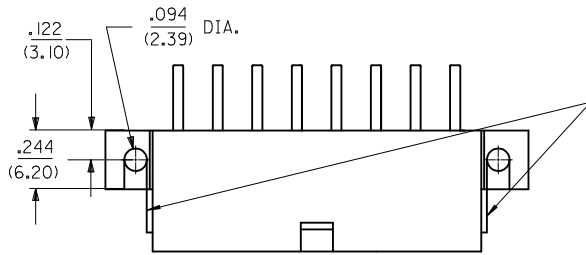
NOTE:  
DIMENSIONS SHOWN IN THIS  
VIEW ARE TYPICAL FOR ALL  
P.C.B. CONFIGURATIONS FROM  
6-16 CIRCUITS.

### RECOMMENDED HOLE LAYOUT FOR .070/(1.78) MAX. P.C.BOARD VIEWED FROM COMPONENT SIDE OF BOARD

CHANGE PLATING EC NO: UCP2012-1560 DRWINHNGUYEN 2012/01/19 CHKD:JBELL 2012/01/19 APPR:FSMITH 2012/02/02	DESCRIPTION	QUALITY SYMBOLS	GENERAL TOLERANCES (UNLESS SPECIFIED)		DIMENSION STYLE		SCALE	DESIGN UNITS	THIRD ANGLE PROJECTION
			mm	INCH	IN/MM	DATE	4:1	METRIC	
D	REV	DESCRIPTION	4 PLACES	± .010	± .010	DRAWN BY	DATE	TITLE	
			3 PLACES	± .010	± .010	TGREGORI	2006/03/28	MINI-FIT TPA RIGHT ANGLE HEADER ASSY	
D	REV	DESCRIPTION	2 PLACES	± 0.25	± .014	CHECKED BY	DATE	TITLE	
			1 PLACE	± 0.36	± .014	JCOMERCI	2006/03/28	MINI-FIT TPA RIGHT ANGLE HEADER ASSY	
D	REV	DESCRIPTION	ANGULAR ±1/2°		APPROVED BY	DATE	TITLE		
			ANGULAR ±1/2°		FSMITH	2010/04/09	MINI-FIT TPA RIGHT ANGLE HEADER ASSY		
			DRAFT WHERE APPLICABLE MUST REMAIN WITHIN DIMENSIONS		MATERIAL NO.	DOCUMENT NO.	SHEET NO.		
			DRAFT WHERE APPLICABLE MUST REMAIN WITHIN DIMENSIONS		SEE TABLE	SD-30070-001	1 OF 2		
			DRAFT WHERE APPLICABLE MUST REMAIN WITHIN DIMENSIONS		THIS DRAWING CONTAINS INFORMATION THAT IS PROPRIETARY TO MOLEX INCORPORATED AND SHOULD NOT BE USED WITHOUT WRITTEN PERMISSION				

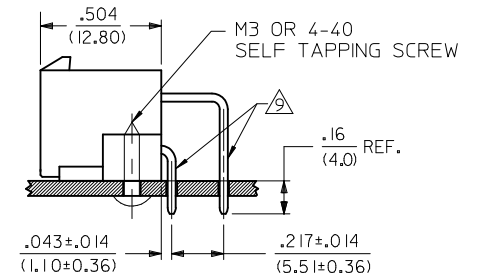
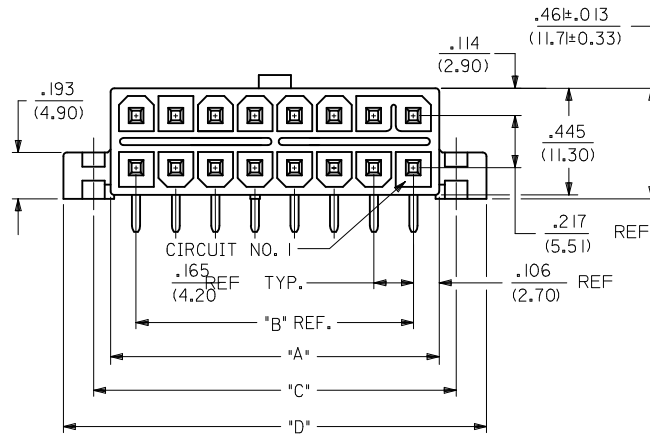
# BLACK FLANGE MOUNT HEADERS

CKT. SIZE	PART NUMBER	PLATING	DIM. "A"	DIM. "B"	DIM. "C"	DIM. "D"
2	30070-0225	TIN	.213 (5.40)	—	.354 (9.00)	.606 (15.40)
	30070-0222	GOLD	.213 (5.40)	—	.354 (9.00)	.606 (15.40)
4	30070-0425	TIN	.378 (9.60)	.165 (4.20)	.520 (13.20)	.772 (19.60)
	30070-0422	GOLD	.378 (9.60)	.165 (4.20)	.520 (13.20)	.772 (19.60)
6	30070-0625	TIN	.543 (13.80)	.331 (8.40)	.685 (17.40)	.937 (23.80)
	30070-0622	GOLD	.543 (13.80)	.331 (8.40)	.685 (17.40)	.937 (23.80)
8	30070-0825	TIN	.709 (18.00)	.496 (12.60)	.850 (21.60)	1.102 (28.00)
	30070-0822	GOLD	.709 (18.00)	.496 (12.60)	.850 (21.60)	1.102 (28.00)
10	30070-1025	TIN	.874 (22.20)	.661 (16.80)	1.016 (25.80)	1.268 (32.20)
	30070-1022	GOLD	.874 (22.20)	.661 (16.80)	1.016 (25.80)	1.268 (32.20)
12	30070-1225	TIN	1.039 (26.40)	.827 (21.00)	1.181 (30.00)	1.433 (36.40)
	30070-1222	GOLD	1.039 (26.40)	.827 (21.00)	1.181 (30.00)	1.433 (36.40)
16	30070-1625	TIN	1.370 (34.80)	1.157 (29.40)	1.512 (38.40)	1.764 (44.80)
	30070-1622	GOLD	1.370 (34.80)	1.157 (29.40)	1.512 (38.40)	1.764 (44.80)

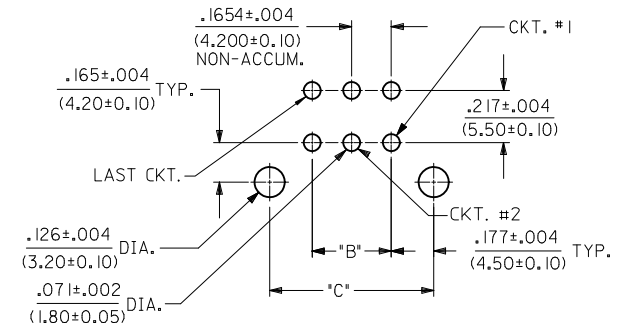
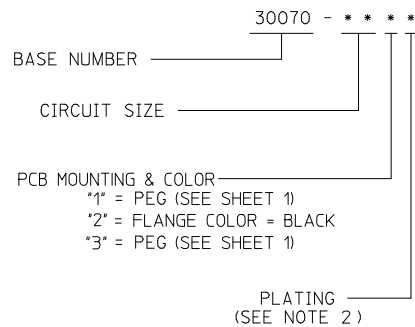


THIS FEATURE IS NOT PRESENT ON 12 AND 16 CIRCUIT PARTS.

## OPTION 2 FLANGE MOUNT SEE SHEET 1 FOR PEG MOUNT



### FINISHED PART LEGEND



RECOMMENDED HOLE LAYOUT FOR .070/(1.78) MAX. P.C. BOARD  
VIEWED FROM COMPONENT SIDE OF BOARD

SEE SHEET 1 EC NO: UCP2012-1560 DRAWN: NGUYEN 2012/01/19 CHKD: J.BELL 2012/01/19 APPR: FSMITH 2012/02/02	QUALITY SYMBOLS ▽=0 ▽=0 ▽=0	GENERAL TOLERANCES (UNLESS SPECIFIED)		DIMENSION STYLE IN/MM		SCALE 4:1	DESIGN UNITS METRIC	THIRD ANGLE PROJECTION		
		mm		INCH		DRAWN BY TGREGORI	DATE 2006/03/28	MINI-FIT TPA RIGHT ANGLE HEADER ASSY		
		4 PLACES ± --- ± ---		3 PLACES ± --- ± .010		CHECKED BY JCOMERCI	DATE 2006/03/28			
		2 PLACES ± 0.25 ± .014		1 PLACE ± 0.36 ± ---		APPROVED BY FSMITH	DATE 2010/04/09	MATERIAL NO. DOCUMENT NO. SD-30070-001		
ANGULAR ±1/2°		DRAFT WHERE APPLICABLE MUST REMAIN WITHIN DIMENSIONS		SEE TABLE		SHEET NO. 2 OF 2		THIS DRAWING CONTAINS INFORMATION THAT IS PROPRIETARY TO MOLEX INCORPORATED AND SHOULD NOT BE USED WITHOUT WRITTEN PERMISSION		

# X-ON Electronics

Largest Supplier of Electrical and Electronic Components

*Click to view similar products for [Power to the Board](#) category:*

*Click to view products by [Molex](#) manufacturer:*

Other Similar products are found below :

[10131318-08512GRLF](#) [6450171-4](#) [6450552-7](#) [6600323-8](#) [6643429-1](#) [6646040-2](#) [6651939-1](#) [6766604-1](#) [120959-1](#) [1393557-2](#) [1600812-5](#) [1-6450861-2](#) [1645595-1](#) [1743490-1](#) [1744132-7](#) [1761122-1](#) [1766169-1](#) [1766250-1](#) [18362](#) [1892109-1](#) [2226808-1](#) [2-6450860-5](#) [2-6450860-6](#) [2-6450870-0](#) [93003-0502](#) [953552-1](#) [1-6450161-4](#) [1-6450850-6](#) [1645526-2](#) [1-6600130-0](#) [1743419-1](#) [1766150-1](#) [2005243-2](#) [211110-1](#) [2-6600130-2](#) [TE34-12-16P-F0](#) [51700-10201602AALF](#) [5-6450830-6](#) [5646956-4](#) [36662-0005](#) [40585-3000](#) [4-6450830-9](#) [4-6600333-3](#) [51142-0214](#) [031-55414](#) [10125416-4050LF](#) [10134048-911LF](#) [10123159-301LF](#) [10130248-005LF](#) [EBG.0R.804.GLM41](#)