

<b>PRODUCT</b>	cylinder sensor
<b>DESIGN</b>	MZ07 "T – groove" MZR4 "C – groove"



- ✓ robust metal housing
- ✓ easy mounting
- ✓ high sampling frequency at low hysteresis
- ✓ LED display
- ✓ integrated amplifier
- ✓ high sampling frequency
- ✓ 2 years warranty

**value for money,  
electronic microsensors**

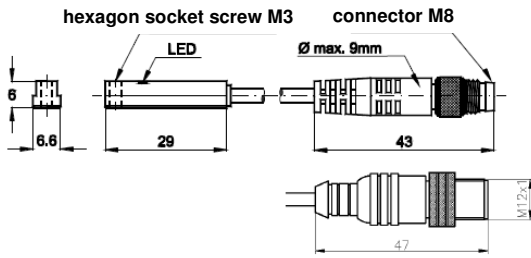
#### technical data

current consumption (w/o load)	< 15mA
voltage drop (max. load)	< 2V DC
operating voltage	10 ... 30V DC
current carrying capacity	200mA
sampling frequency	1kHz
repeatability	± 0.1mm
switching output	pnp, no
system of protection (EN 60529)	IP67
ambient temperature	-25 ... +70 °C
housing material	see list of articles
connection	see list of articles

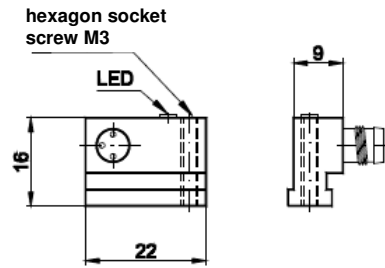
article-no.	design	housing	connection	mounting	fig.
<b>MZ0721A4</b>	6.2x6.3x30	Zn	2m PUR cable	T-groove, lateral	(1)
<b>MZ072124</b>	6.2x6.3x30	Zn	cable/M12-connector	T-groove, lateral	(1)
<b>MZ072174</b>	6.2x6.3x30	Zn	cable/M8-connector	T-groove, lateral	1
<b>MZ072175</b>	9.6x16x22	aluminium	M8-connector	T-groove, lateral	2
<b>MZ072173</b>	10.2x16x25	aluminium	M8-connector	T-groove, from above	3
<b>MZ072176</b>	5x4.6x18	aluminium	cable/M8-connector	T-groove, from above	4
<b>MZR421A8</b>	Ø3.6, 20.5 long	stainless steel	2m PUR cable	C-groove, lateral	5
<b>MZR42178</b>	Ø3.6, 20.5 long	stainless steel	cable/M8-connector	C-groove, lateral	6

We will be pleased to supply the matching cable socket for your devices with connector. Please refer to the list in catalog chapter "accessories" under "cable sockets **ipf-SENSORFLEX®**" or search our website for "VK".

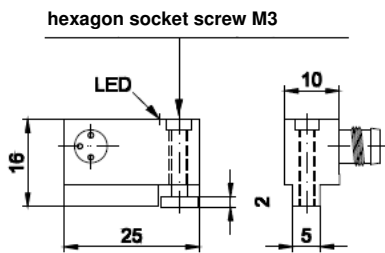
**fig.1** (connector M8, MZ072174)  
(connector M12, MZ072124)



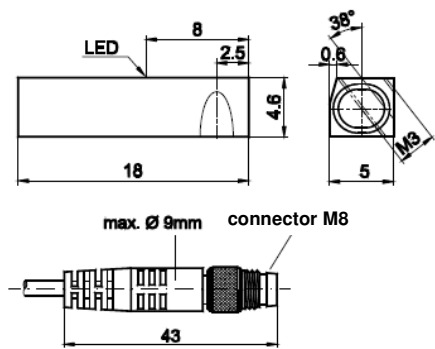
**fig.2**



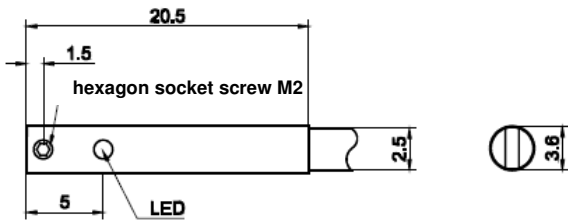
**fig.3**



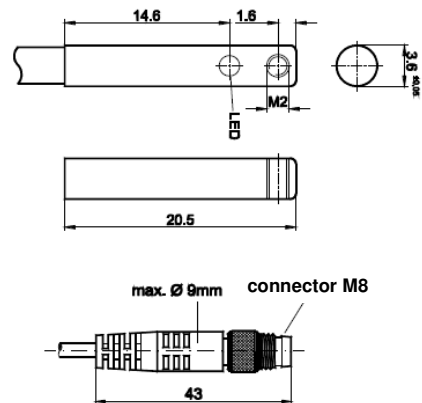
**fig.4**



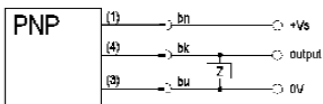
**fig.5**



**fig.6**



**connection**



**wire colors:** bn = brown (1), bu = blue (3), bk = black (4)

**Warning:** Never use these devices in applications where the safety of a person depends on their functionality!

# X-ON Electronics

Largest Supplier of Electrical and Electronic Components

*Click to view similar products for [Industrial Hall Effect/Magnetic Sensors](#) category:*

*Click to view products by [IPF ELECTRONIC](#) manufacturer:*

Other Similar products are found below :

[GT-13013](#) [GT-13040](#) [GT-14114](#) [GT-14123](#) [DRR-129\(62-68\)](#) [ATS682LSHTN-T](#) [SR4P2-C7](#) [GT-12076](#) [GT-13012](#) [GT-14049](#) [GT-14067](#) [GT-14132](#) [GT-18030](#) [103FW12-R3](#) [A1155LLHLT-T](#) [A1106EUA-T](#) [SMSA2P30CG](#) [P2D-000](#) [GN 55.2-SC-15-3](#) [GN 55.2-SC-5-3](#) [103FW41-R1](#) [KJR-D100AN-DNA-VE](#) [KJR-D100AN-DNIA-V2](#) [SR-10018](#) [ECC464558EU](#) [SC9641TS](#) [CS200BK](#) [QMC6308](#) [VSM025A/8mA](#) [M10-JB5020D](#) [M12-JB8002C](#) [M12-JB8002D](#) [M12-JK5002B](#) [M8-MJK](#) [M12-MJK](#) [MM18-70APS-ZCK](#) [103FW5-4](#) [ATS128LSETN-T](#) [TLE4906LHALA1](#) [TLE49452LHALA1](#) [MMA8452Q](#) [BU52013HFV-TR](#) [MRMS591A](#) [103SR14A-1](#) [MZT7-03VPS-KR0](#) [MZT7-03VPS-KW0](#) [MZT8-03VPS-KW0](#) [MZT8-28VPS-KP0](#) [MM12-60APO-ZUK](#) [A1326LLHLX-T](#)