

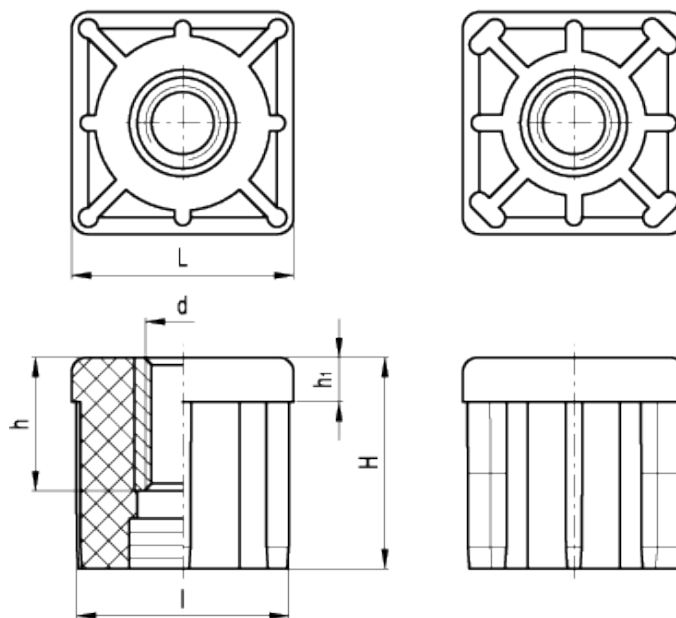
# NDX.Q

Square end-caps



NDX.Q-20-25-30-35-40

NDX.Q-50-60



## technical informations

### Material

Glass-fibre reinforced polyamide based (PA) technopolymer. Resistant to solvents, oils, greases and other chemical agents.

### Colour

Black, matte finish.

### Boss

Brass, tapped through hole.

Standard Elements		Main dimensions				Mounting hole		Tube dimensions			* Max static load	Weight
Code	Description	L	H	h <sub>1</sub>	l	d	h	External	Thickness	Internal	[N]	g
320011	NDX.Q-20x1.5-M8	20	23	5	17	M8	10	20	1.5	17	4000	13
320016	NDX.Q-20x2-M8	20	23	5	16	M8	10	20	2	16	4000	13
320021	NDX.Q-25x1.5-M8	25	26	6	22	M8	10	25	1.5	22	4500	20
320022	NDX.Q-25x1.5-M10	25	26	6	22	M10	10	25	1.5	22	4500	20
320023	NDX.Q-25x1.5-M12	25	26	6	22	M12	10	25	1.5	22	4500	20
320026	NDX.Q-25x2-M8	25	26	6	21	M8	10	25	2	21	4500	20
320027	NDX.Q-25x2-M10	25	26	6	21	M10	10	25	2	21	4500	20
320031	NDX.Q-30x1.5-M8	30	31	6	27	M8	10	30	1.5	27	4500	28
320032	NDX.Q-30x1.5-M10	30	31	6	27	M10	10	30	1.5	27	4500	28
320033	NDX.Q-30x1.5-M12	30	31	6	27	M12	10	30	1.5	27	4500	28
320034	NDX.Q-30x1.5-M14	30	31	6	27	M14	15	30	1.5	27	4500	30
320035	NDX.Q-30x1.5-M16	30	31	6	27	M16	15	30	1.5	27	4500	30
320041	NDX.Q-30x2.0-M8	30	31	6	26	M8	10	30	2	26	4500	28
320042	NDX.Q-30x2.0-M10	30	31	6	26	M10	10	30	2	26	4500	28
320043	NDX.Q-30x2.0-M12	30	31	6	26	M12	10	30	2	26	4500	28
320044	NDX.Q-30x2.0-M14	30	31	6	26	M14	15	30	2	26	4500	30
320045	NDX.Q-30x2.0-M16	30	31	6	26	M16	15	30	2	26	4500	30
320051	NDX.Q-35x1.5-M8	35	38	8	32	M8	10	35	1.5	32	6000	40
320052	NDX.Q-35x1.5-M10	35	38	8	32	M10	10	35	1.5	32	6000	40
320053	NDX.Q-35x1.5-M12	35	38	8	32	M12	10	35	1.5	32	6000	40
320054	NDX.Q-35x1.5-M14	35	38	8	32	M14	15	35	1.5	32	6000	42
320055	NDX.Q-35x1.5-M16	35	38	8	32	M16	15	35	1.5	32	6000	42
320056	NDX.Q-35x1.5-M20	35	38	8	32	M20	20	35	1.5	32	6000	41
320061	NDX.Q-35x2-M8	35	38	8	31	M8	10	35	2	31	6000	40
320062	NDX.Q-35x2-M10	35	38	8	31	M10	10	35	2	31	6000	40
320063	NDX.Q-35x2-M12	35	38	8	31	M12	10	35	2	31	6000	40
320064	NDX.Q-35x2-M14	35	38	8	31	M14	15	35	2	31	6000	42
320065	NDX.Q-35x2-M16	35	38	8	31	M16	15	35	2	31	6000	42
320066	NDX.Q-35x2-M20	35	38	8	31	M20	20	35	2	31	6000	40
320071	NDX.Q-40x1.2-M8	40	38	8	37.6	M8	10	40	1.2	37.6	6000	47
320072	NDX.Q-40x1.2-M10	40	38	8	37.6	M10	10	40	1.2	37.6	6000	47
320073	NDX.Q-40x1.2-M12	40	38	8	37.6	M12	10	40	1.2	37.6	6000	47
320074	NDX.Q-40x1.2-M14	40	38	8	37.6	M14	15	40	1.2	37.6	6000	49
320075	NDX.Q-40x1.2-M16	40	38	8	37.6	M16	15	40	1.2	37.6	6000	49
320076	NDX.Q-40x1.2-M20	40	38	8	37.6	M20	20	40	1.2	37.6	8000	48
320081	NDX.Q-40x1.5-M8	40	38	8	37	M8	10	40	1.5	37	6000	47
320082	NDX.Q-40x1.5-M10	40	38	8	37	M10	10	40	1.5	37	6000	47
320083	NDX.Q-40x1.5-M12	40	38	8	37	M12	10	40	1.5	37	6000	47
320084	NDX.Q-40x1.5-M14	40	38	8	37	M14	15	40	1.5	37	6000	49
320085	NDX.Q-40x1.5-M16	40	38	8	37	M16	15	40	1.5	37	6000	49
320086	NDX.Q-40x1.5-M20	40	38	8	37	M20	20	40	1.5	37	8000	48
320091	NDX.Q-40x2-M8	40	38	8	36	M8	10	40	2	36	6000	47

320092	NDX.Q-40x2-M10	40	38	8	36	M10	10	40	2	36	6000	47
320093	NDX.Q-40x2-M12	40	38	8	36	M12	10	40	2	36	6000	47
320094	NDX.Q-40x2-M14	40	38	8	36	M14	15	40	2	36	6000	49
320095	NDX.Q-40x2-M16	40	38	8	36	M16	15	40	2	36	6000	49
320096	NDX.Q-40x2-M20	40	38	8	36	M20	20	40	2	36	8000	48
320101	NDX.Q-40x2.5-M8#	40	38	8	35	M8	10	40	2.5	35	6000	47
320102	NDX.Q-40x2.5-M10#	40	38	8	35	M10	10	40	2.5	35	6000	47
320103	NDX.Q-40x2.5-M12#	40	38	8	35	M12	10	40	2.5	35	6000	47
320104	NDX.Q-40x2.5-M14#	40	38	8	35	M14	15	40	2.5	35	6000	49
320105	NDX.Q-40x2.5-M16#	40	38	8	35	M16	15	40	2.5	35	6000	49
320106	NDX.Q-40x2.5-M20#	40	38	8	35	M20	20	40	2.5	35	8000	50
320098	NDX.Q-40x3-M10	40	38	8	34	M10	10	40	3	34	6000	49
320099	NDX.Q-40x3-M12	40	38	8	34	M12	10	40	3	34	6000	48
320108	NDX.Q-45x3-M12	45	38	8	39	M12	10	45	3	39	6000	49
320109	NDX.Q-45x3-M16	45	38	8	39	M16	15	45	3	39	6000	47
320111	NDX.Q-50x1.2-M8#	50	45	10	47.6	M8	10	50	1.2	47.6	6000	72
320112	NDX.Q-50x1.2-M10#	50	45	10	47.6	M10	10	50	1.2	47.6	6000	72
320113	NDX.Q-50x1.2-M12#	50	45	10	47.6	M12	10	50	1.2	47.6	6000	72
320114	NDX.Q-50x1.2-M14#	50	45	10	47.6	M14	15	50	1.2	47.6	6000	74
320115	NDX.Q-50x1.2-M16#	50	45	10	47.6	M16	15	50	1.2	47.6	6000	74
320116	NDX.Q-50x1.2-M20#	50	45	10	47.6	M20	20	50	1.2	47.6	8500	75
320121	NDX.Q-50x1.5-M8	50	45	10	47	M8	10	50	1.5	47	6000	72
320122	NDX.Q-50x1.5-M10	50	45	10	47	M10	10	50	1.5	47	6000	72
320123	NDX.Q-50x1.5-M12	50	45	10	47	M12	10	50	1.5	47	6000	72
320124	NDX.Q-50x1.5-M14	50	45	10	47	M14	15	50	1.5	47	6000	74
320125	NDX.Q-50x1.5-M16	50	45	10	47	M16	15	50	1.5	47	6000	74
320126	NDX.Q-50x1.5-M20	50	45	10	47	M20	20	50	1.5	47	8500	75
320131	NDX.Q-50x2-M8	50	45	10	46	M8	10	50	2	46	6000	72
320132	NDX.Q-50x2-M10	50	45	10	46	M10	10	50	2	46	6000	72
320133	NDX.Q-50x2-M12	50	45	10	46	M12	10	50	2	46	6000	72
320134	NDX.Q-50x2-M14	50	45	10	46	M14	15	50	2	46	6000	74
320135	NDX.Q-50x2-M16	50	45	10	46	M16	15	50	2	46	6000	74
320136	NDX.Q-50x2-M20	50	45	10	46	M20	20	50	2	46	8500	75
320141	NDX.Q-50x2.5-M8	50	45	10	45	M8	10	50	2.5	45	6000	72
320142	NDX.Q-50x2.5-M10	50	45	10	45	M10	10	50	2.5	45	6000	72
320143	NDX.Q-50x2.5-M12	50	45	10	45	M12	10	50	2.5	45	6000	72
320144	NDX.Q-50x2.5-M14	50	45	10	45	M14	15	50	2.5	45	6000	74
320145	NDX.Q-50x2.5-M16	50	45	10	45	M16	15	50	2.5	45	6000	74
320146	NDX.Q-50x2.5-M20	50	45	10	45	M20	20	50	2.5	45	8500	74
320152	NDX.Q-50x3.0-M10#	50	45	10	44	M10	10	50	3	44	6000	72
320153	NDX.Q-50x3.0-M12#	50	45	10	44	M12	10	50	3	44	6000	72
320154	NDX.Q-50x3.0-M14#	50	45	10	44	M14	15	50	3	44	6000	74
320155	NDX.Q-50x3.0-M16#	50	45	10	44	M16	15	50	3	44	6000	74
320156	NDX.Q-50x3.0-M20#	50	45	10	44	M20	20	50	3	44	8500	75
320162	NDX.Q-60x2.0-M10	60	45	10	56	M10	10	60	2	56	6000	98

320163	NDX.Q-60x2.0-M12	60	45	10	56	M12	10	60	2	56	6000	98
320164	NDX.Q-60x2.0-M14	60	45	10	56	M14	15	60	2	56	6000	98
320165	NDX.Q-60x2.0-M16	60	45	10	56	M16	15	60	2	56	6000	97
320166	NDX.Q-60x2.0-M20	60	45	10	56	M20	20	60	2	56	8500	97
320172	NDX.Q-60x3.0-M10#	60	45	10	54	M10	10	60	3	54	6000	98
320173	NDX.Q-60x3.0-M12#	60	45	10	54	M12	10	60	3	54	6000	98
320174	NDX.Q-60x3.0-M14#	60	45	10	54	M14	15	60	3	54	6000	98
320175	NDX.Q-60x3.0-M16#	60	45	10	54	M16	15	60	3	54	6000	97
320176	NDX.Q-60x3.0-M20#	60	45	10	54	M20	20	60	3	54	8500	97

# On request and for sufficient quantities. \* MAX static load represents the value under which small negligible deformations, which do not affect the proper functioning, can occur to an element under a load.



STANDARD MACHINE ELEMENTS WORLDWIDE

## X-ON Electronics

Largest Supplier of Electrical and Electronic Components

*Click to view similar products for [Mounting Fixings](#) category:*

*Click to view products by [Elesa & Ganter](#) manufacturer:*

Other Similar products are found below :

[5912235-2](#) [007310](#) [007541](#) [6-141-P](#) [620HA038NF09](#) [620HA038NF11](#) [CTJ420E028-513](#) [M81714/60-12-01](#) [M81714/60-22-01](#) [L/C](#)  
[MA1EAF1200](#) [70-584649-01P](#) [71-074914-006](#) [71-215091-8S](#) [712HA170B23128-N](#) [71-344699-4S](#) [71-441549-19S](#) [71-441864-5S](#) [71-](#)  
[490451-4H](#) [EX-13-3-B-16-325PN](#) [75-69116-8S](#) [75-69211-3P](#) [75-69220-27S](#) [75-69224-5S](#) [75-69614-2S](#) [770-006A109](#) [770-006A109R](#) [770-](#)  
[006A207](#) [770-006A208W1](#) [770-006A209](#) [770-006A306](#) [770-006A703W1](#) [770-006A704](#) [770-006A704W1](#) [770-006A705](#) [770-006A706](#)  
[770-006A706W1](#) [770-006A707](#) [770-006A709](#) [770-007A203](#) [770-007A203W1](#) [770-007A204W1](#) [770-007A207W1](#) [770-007A703](#) [770-](#)  
[007A704W1](#) [770-007A706](#) [770-007A707W1](#) [770-010Y208](#) [770-010Y308](#) [770-010Y705](#) [770-010Y706](#)