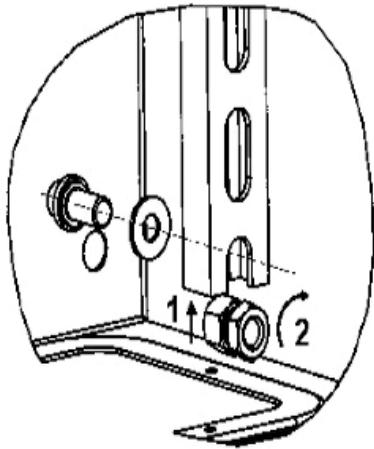




Price* : 28.34 GBP



Main

Application	Multi-purpose
Range	Spacial
Product or component type	Chassis
Accessory / separate part category	Mounting accessory
Type of rail	Symmetrical DIN
Enclosure nominal dimensions	- 300 mm 300 mm 150 mm - 300 mm 300 mm 200 mm
Mounting support	Direct fixing on backstuds Step slide Spacer
Range compatibility	Spacial CRN Spacial S3D Spacial S3X Thalassa PLM
Device composition	2 upright Fixing elements 4 DIN rail
Quantity per set	Set of 1

Complementary

Material	Steel for rail Aluminium for uprights
Fixing mode	By fixing element Screwed on backstuds
Adjustment	On step slides, type NSYSDCR..., pitch 12.5 mm
Height	Real : 239.3 mm Nominal : 300 mm
Width	Real : 250 mm Nominal : 300 mm
Depth	Real : 30 mm

Offer Sustainability

Sustainable offer status	Green Premium product
RoHS (date code: YYWW)	Compliant - since 0940 - Schneider Electric declaration of conformity Schneider Electric declaration of conformity
REACH	Reference not containing SVHC above the threshold Reference not containing SVHC above the threshold
Product environmental profile	Available Product Environmental Profile
Product end of life instructions	Need no specific recycling operations

Contractual warranty

Warranty period	18 months 18 months
-----------------	---------------------

X-ON Electronics

Largest Supplier of Electrical and Electronic Components

Click to view similar products for [Electrical Enclosures](#) category:

Click to view products by [Schneider](#) manufacturer:

Other Similar products are found below :

[120-902](#) [120-905](#) [120-403](#) [120-475](#) [120-901](#) [127-410](#) [130-504](#) [130-506](#) [MR-25L+](#) [30-8739](#) [PIP-11774SCREW](#) [30-9715](#) [MR-25LW+](#) [110-407](#) [111-004](#) [111-008](#) [110-402](#) [110-901](#) [110-907](#) [111-002](#) [110-406](#) [110-910](#) [110-404](#) [110-409](#) [110-410](#) [120-405](#) [106-009](#) [106-505](#) [105-401](#) [106-006](#) [104-406](#) [137-002](#) [105-405](#) [111-005](#) [127-909](#) [106-502](#) [130-475](#) [130-503](#) [127-401](#) [106-010](#) [127-455](#) [127-475](#) [110-903](#) [R260-180-300](#) [9511020](#) [9822029](#) [9820014](#) [P61603000P](#) [9823009](#) [R103-164-000](#)