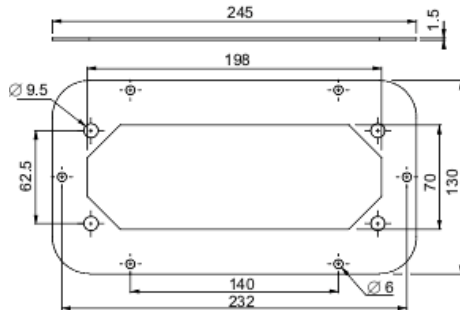




Price* : 3.90 GBP



Main

Range	Spacial
Product or component type	Cable gland plate
Accessory / separate part category	Cable management accessory
Application	Multi-purpose
For enclosure nominal width	300 mm
For enclosure nominal depth	200 mm
Range compatibility	Spacial S3D Spacial SF
Mounting location	Enclosure bottom
Cable gland type	With FL cut-out
Device composition	Fixing elements 1 plate 1 separate gasket
Quantity per set	Set of 1
Material	Steel for plate Polyethylene (PE) foam for seal

Complementary

Colour	Plate : grey RAL 7035
Surface finish	Epoxy-polyester powder
Height	245 mm
Width	Real : 400 mm 245 mm
Depth	Real : 200 mm 130 mm
Product weight	550 kg
Thickness	1.5 mm
Number of cut-out	1 cut-out

Accessory / separate part destination	For FL21 membranes
Cut-out dimensions	194 x 62.5 mm

Offer Sustainability

Sustainable offer status	Green Premium product
RoHS (date code: YYWW)	Compliant - since 0810 - Schneider Electric declaration of conformity Schneider Electric declaration of conformity
REACH	Reference not containing SVHC above the threshold Reference not containing SVHC above the threshold
Product environmental profile	Available Product Environmental Profile
Product end of life instructions	Need no specific recycling operations

Contractual warranty

Warranty period	18 months
-----------------	-----------

X-ON Electronics

Largest Supplier of Electrical and Electronic Components

Click to view similar products for [Electrical Enclosures](#) category:

Click to view products by [Schneider](#) manufacturer:

Other Similar products are found below :

[120-902](#) [120-905](#) [120-403](#) [120-475](#) [120-901](#) [127-410](#) [130-504](#) [130-506](#) [MR-25L+](#) [30-8739](#) [PIP-11774SCREW](#) [30-9715](#) [MR-25LW+](#) [110-407](#) [111-004](#) [111-008](#) [110-402](#) [110-901](#) [110-907](#) [111-002](#) [110-406](#) [110-910](#) [110-404](#) [110-409](#) [110-410](#) [120-405](#) [106-009](#) [106-505](#) [105-401](#) [106-006](#) [104-406](#) [137-002](#) [105-405](#) [111-005](#) [127-909](#) [106-502](#) [130-475](#) [130-503](#) [127-401](#) [106-010](#) [127-455](#) [127-475](#) [110-903](#) [R260-180-300](#) [9511020](#) [9822029](#) [9820014](#) [P61603000P](#) [9823009](#) [R103-164-000](#)