



ELECTRONICS, INC.
 44 FARRAND STREET
 BLOOMFIELD, NJ 07003
 (973) 748-5089
<http://www.nteinc.com>

NTE53022 thru NTE53028 Silicon Bridge Rectifier, 35A

Features:

- Low Reverse Leakage Current
- Low Power Loss, High Efficiency
- Heatsink Integrated Epoxy Case for Maximum Heat Dissipation
- Low Thermal Resistance
- High Surge Current Capability
- Mounting: Through Hole with #10 Screw

Maximum Ratings and Electrical Characteristics: ($T_A = +25^\circ\text{C}$ unless otherwise specified.
 Single Phase, Half Wave, 60Hz, Resistive or Inductive Load, Note 1)

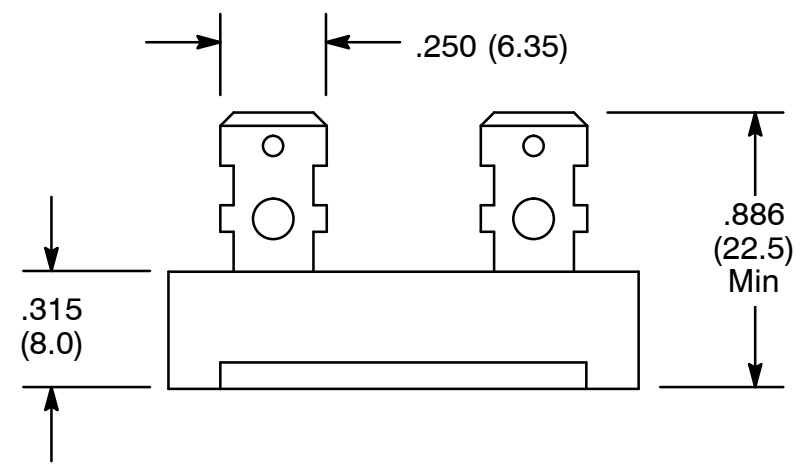
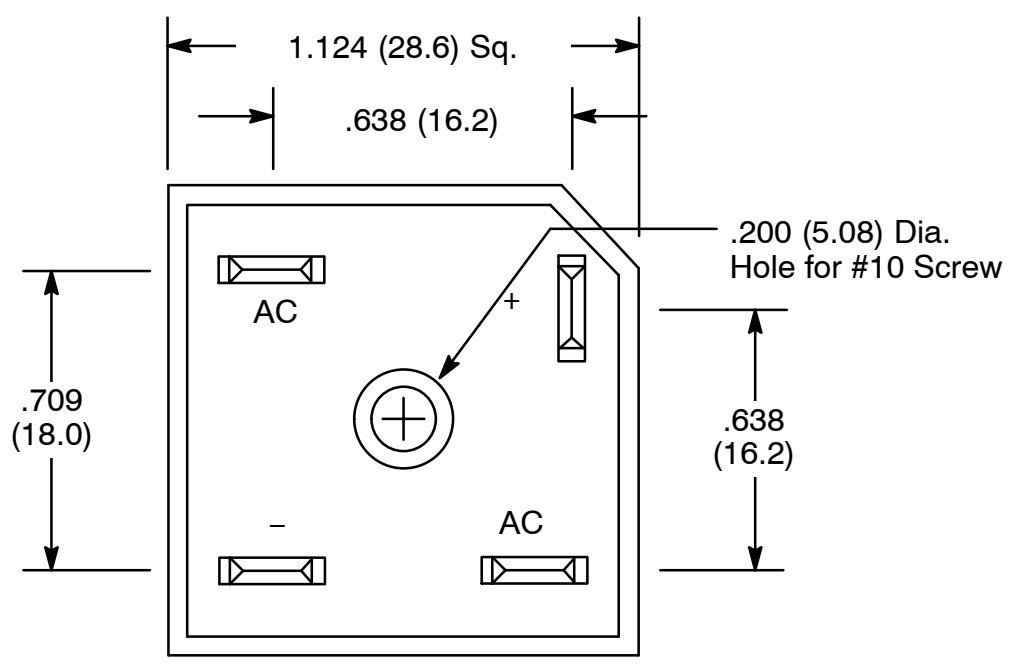
Maximum Recurrent Peak Reverse Voltage, V_{RRM}	
NTE53022	200V
NTE53026	600V
NTE53028	1000V
Working Peak Reverse Voltage, V_{RWM}	
NTE53022	200V
NTE53026	600V
NTE53028	1000V
Maximum RMS Bridge Input Voltage, V_{RMS}	
NTE53022	140V
NTE53026	420V
NTE53028	700V
Maximum DC Blocking Voltage, V_{DC}	
NTE53022	200V
NTE53026	600V
NTE53028	1000V
Maximum Average Forward Rectified Output Current ($T_C = +55^\circ\text{C}$), $I_{O(AV)}$	
35A	
Peak Forward Surge Current (8.3ms single half wave superimposed on rated load), I_{FSM} ...	
400A	
Maximum Forward Voltage Drop (Per element at 17.5A), V_F	
1.1V	
Maximum Reverse Current at Rated DC Blocking Voltage Per Element, I_R	
$T_A = +25^\circ\text{C}$	10 μ A
$T_A = +125^\circ\text{C}$	500 μ A
I^2t Rating for Fusing ($t < 8.3\text{ms}$), I^2t	
660A ² s	
Typical Junction Capacitance (Note 2), C_j	
300pF	
Typical Thermal Resistance, Junction-to-Case (Per element, Note 3), R_{thJC}	
1.4 $^\circ\text{C}/\text{W}$	
RMS Isolation Voltage from Case to Leads, V_{ISO}	
2500V	
Operating Temperature Range, T_J	
-65 $^\circ$ to +150 $^\circ\text{C}$	
Storage Temperature Range, T_{stg}	
-65 $^\circ$ to +150 $^\circ\text{C}$	

Note 1. For capacitive load, derate current by 20%.

Note 2. Measured at 1.0MHz and applied reverse voltage of 4.0VDC.

Note 3. Thermal resistance junction-to-case, mounted on a 241 x 89 x 117mm Al heatsink.





X-ON Electronics

Largest Supplier of Electrical and Electronic Components

Click to view similar products for [Bridge Rectifiers](#) category:

Click to view products by [NTE](#) manufacturer:

Other Similar products are found below :

[G3SBA60-E351](#) [GBJ1504-BP](#) [GBU10B-BP](#) [GBU15J-BP](#) [GBU15K-BP](#) [GBU4A-BP](#) [GBU4D-BP](#) [GBU6B-E3/45](#) [GSIB680-E3/45](#) [DB101-BP](#) [DF10SA-E345](#) [RMB2S](#) [RCG](#) [APT30DF100HJ](#) [APT60DF20HJ](#) [B2S-E3/80](#) [BU1506-E351](#) [BU15085S-E345](#) [BU1508-E3/45](#) [BU1510-E3/45](#) [RS404GL-BP](#) [RS405GL-BP](#) [G3SBA20-E3/51](#) [G5SBA20-E3/51](#) [G5SBA60-E3/51](#) [GBJ1502-BP](#) [GBL02-E351](#) [GBL10-E3/45](#) [GBU10J-BP](#) [GBU4J-BP](#) [GBU4K-BP](#) [GBU8B-E3/45](#) [GBU8D-BP](#) [GBU8J-BP](#) [GSIB1520-E3/45](#) [MB1510](#) [MB352W](#) [MB6M-G](#) [B2M-E345](#) [B40C7000A](#) [B500C7000A](#) [MP5010W-BP](#) [MP501W-BP](#) [MP502-BP](#) [BR1005-BP](#) [BR101-BP](#) [BU1006-E345](#) [BU12065S-E3/45](#) [BU1508-E3/51](#) [BU2006-E3/45](#) [BU2008-E345](#)