

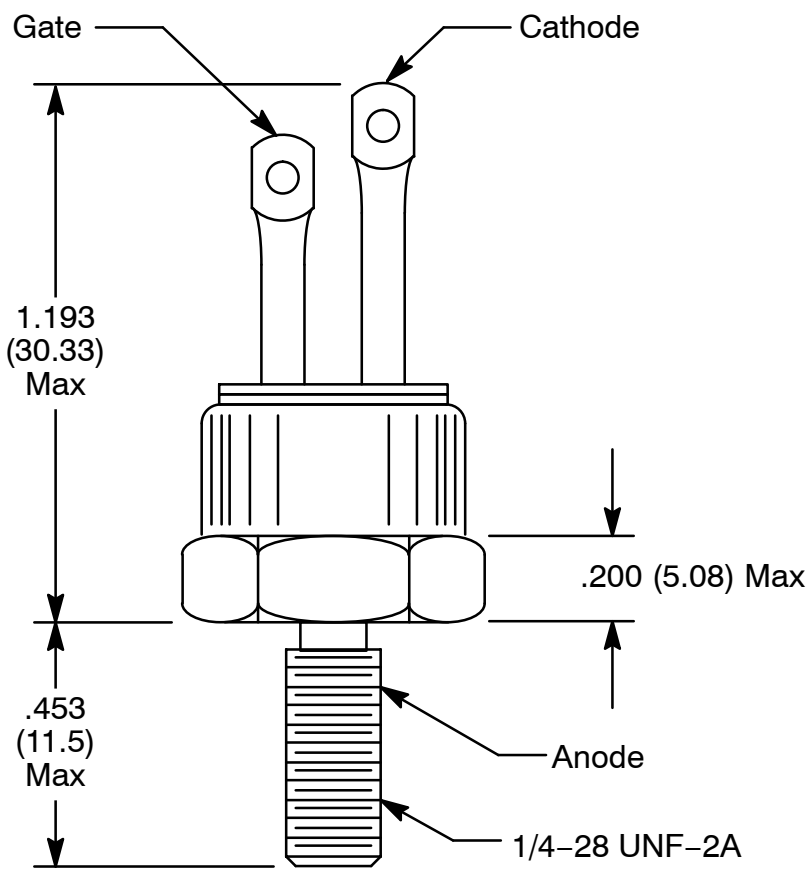
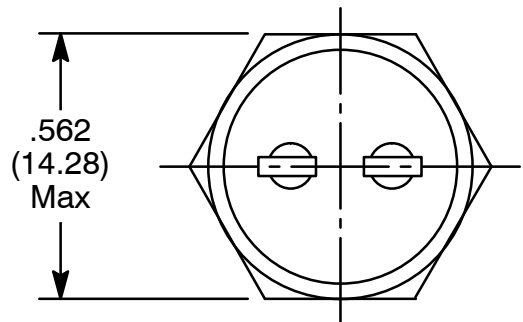


ELECTRONICS, INC.  
 44 FARRAND STREET  
 BLOOMFIELD, NJ 07003  
 (973) 748-5089  
<http://www.nteinc.com>

## NTE5360 Silicon Controlled Rectifier (SCR) for High Speed Switching, 600V, 35 Amp, TO48

**Absolute Maximum Ratings and Electrical Characteristics:**

Repetitive Peak Off State Voltage (Gate Open, $T_J = +110^{\circ}\text{C}$ ), $V_{DRM}$ .....	600V
Repetitive Peak Reverse Voltage (Gate Open, $T_J = +110^{\circ}\text{C}$ ), $V_{RRM}$ .....	600V
RMS On-State Current ( $T_C = +80^{\circ}\text{C}$ , 360° Conduction Angle), $I_{T(RMS)}$ .....	40A
Peak Surge (Non-Repetitive) On-State Current (One Cycle, 50 or 60Hz), $I_{TSM}$ .....	400A
Peak Gate Trigger Current (3 $\mu\text{s}$ Max), $I_{GTM}$ .....	2A
Peak Gate Power ( $I_{GT} \leq I_{GTM}$ ), $P_{GM}$ .....	20W
Average Gate Power Dissipation, $P_{G(AV)}$ .....	500mW
Maximum Repetitive Peak Off-State Current (At $V_{DRM}$ , $T_C = +110^{\circ}\text{C}$ ), $I_{DRM}$ .....	1.0mA
Maximum Repetitive Peak Reverse Current (At $V_{RRM}$ , $T_C = +110^{\circ}\text{C}$ ), $I_{RRM}$ .....	1.0mA
Maximum Peak On-State Voltage ( $T_C = +25^{\circ}\text{C}$ , $I_T = 40\text{A}$ ), $V_{TM}$ .....	1.6V
Maximum DC Holding Current (Gate Open, $T_C = +25^{\circ}\text{C}$ ), $I_H$ .....	50mA
Critical Rate of Rise of Off-State Voltage (Gate Open, $T_C = +110^{\circ}\text{C}$ ), $dv/dt$ .....	200V/ $\mu\text{s}$
Maximum DC Gate Trigger Current ( $V_A = 12\text{V}$ , $R_L = 60\Omega$ , $T_C = +25^{\circ}\text{C}$ ), $I_{GT}$ .....	25mA
Maximum DC Gate Trigger Voltage ( $V_A = 12\text{V}$ , $R_L = 60\Omega$ , $T_C = +25^{\circ}\text{C}$ ), $V_{GT}$ .....	2.0V
gate Controlled Turn-On Time (For $t_d$ and $t_r$ , $I_{GT} = 150\text{mA}$ , $T_C = +25^{\circ}\text{C}$ ), $t_{gt}$ .....	2.5 $\mu\text{s}$
Operating Temperature Range, $T_{opr}$ .....	-40° to +150°C
Storage Temperature Range, $T_{stg}$ .....	-40° to +150°C
Typical Thermal Resistance, Junction-to-Case, $R_{thJC}$ .....	1.4°C/W



## X-ON Electronics

Largest Supplier of Electrical and Electronic Components

*Click to view similar products for [SCRs](#) category:*

*Click to view products by [NTE](#) manufacturer:*

Other Similar products are found below :

[NTE5428](#) [NTE5448](#) [NTE5457](#) [NTE5511](#) [T1500N16TOF VT](#) [T720N18TOF](#) [T880N14TOF](#) [T880N16TOF](#) [TN1205H-6G](#) [TN1215-800B-TR](#)  
[TS110-7UF](#) [TT104N12KOF-A](#) [TT104N12KOF-K](#) [TT162N16KOF-A](#) [TT162N16KOF-K](#) [TT330N16AOF](#) [VS-111RKI120PBF](#) [VS-16RIA100](#)  
[VS-22RIA20](#) [VS-2N5206](#) [VS-2N685](#) [VS-40TPS08A-M3](#) [VS-50RIA10](#) [057219R](#) [T1190N16TOF VT](#) [T1220N22TOF VT](#) [T201N70TOH](#)  
[T830N14TOF](#) [T830N18TOF](#) [TD92N16KOF-A](#) [TT250N12KOF-K](#) [VS-ST180S12P0V](#) [VS-25RIA40](#) [VS-16RIA120](#) [VS-30TPS08PBF](#)  
[TN1215-800G-TR](#) [NTE5427](#) [NTE5442](#) [X0405NF 1AA2](#) [VS-ST300S20P0PBF](#) [T2160N28TOF VT](#) [TT251N16KOF-K](#) [VS-22RIA100](#) [VS-](#)  
[16RIA40](#) [CR02AM-8#F00](#) [VS-ST110S12P0VPBF](#) [TD250N16KOF-A](#) [GA301A](#) [VS-ST110S16P0](#) [VS-10RIA10](#)