



ELECTRONICS, INC.
 44 FARRAND STREET
 BLOOMFIELD, NJ 07003
 (973) 748-5089
<http://www.nteinc.com>

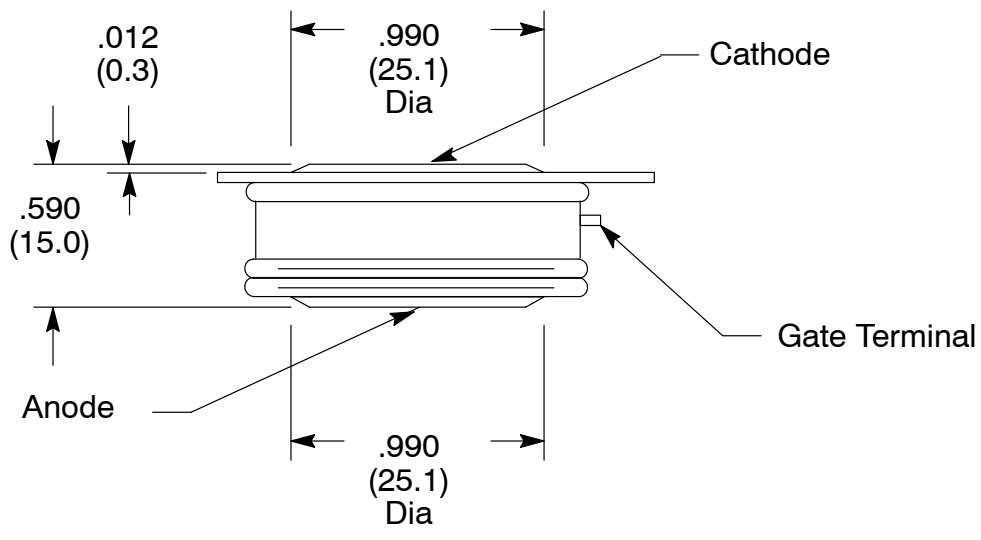
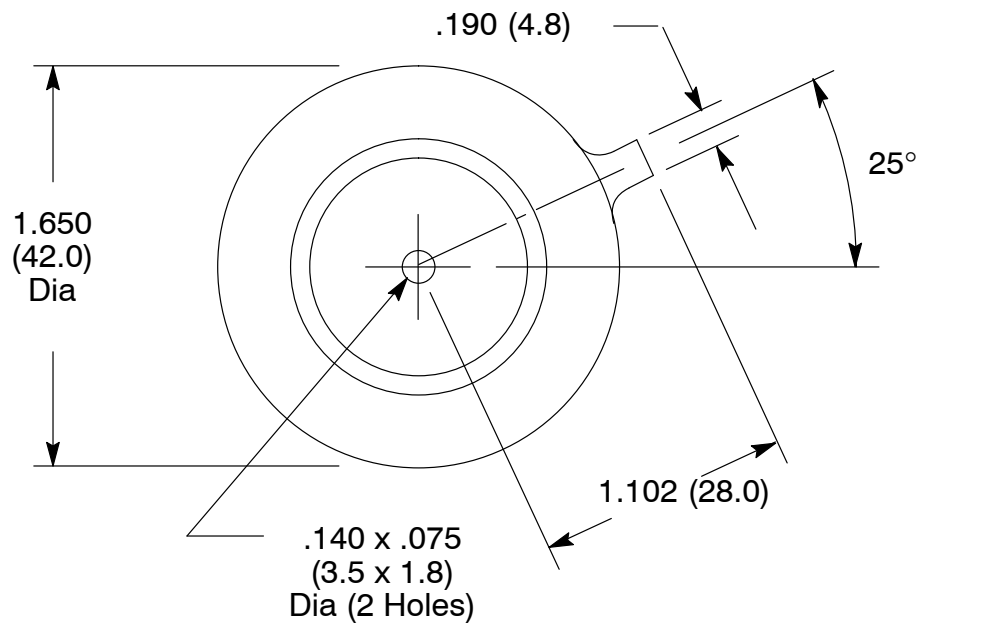
NTE5557 Silicon Controlled Rectifier (SCR) 820 Amp, TO200AB

Applications:

- DC Motor Control
- DC Power Supplies
- AC Controller

Absolute Maximum Ratings: ($T_J = +125^\circ\text{C}$ unless otherwise specified)

Repetitive Peak Voltages, V_{DRM} , V_{RRM}	1600V
Average On-State Current ($T_C = +55^\circ\text{C}$, 180°, Half Sine Wave, 50Hz), $I_{T(AV)}$	735A
RMS On-State Current ($T_{hs} = +55^\circ\text{C}$, Double Side Cooled), $I_{T(RMS)}$	820A
Continuous On-State Current ($T_{hs} = +25^\circ\text{C}$, Double Side Cooled), I_T	1230A
Peak One-Cycle Surge (10ms duration, Half Sine Wave, 50Hz), I_{TSM}	6200A
Peak On-State Voltage ($I_{TM} = 1500\text{A}$, $T_J = +25^\circ\text{C}$), V_{TM}	2.0V
Repetitive Peak Off-State Current (At V_{DRM}), I_{DRM}	40mA
Repetitive Peak Reverse Current (At V_{RRM}), I_{RRM}	40mA
Maximum Gate Current ($V_A = 12\text{V}$, $I_A = 1\text{A}$, $T_J = +25^\circ\text{C}$), I_{GT}	200mA
Maximum Gate Voltage ($V_A = 12\text{V}$, $I_A = 1\text{A}$, $T_J = +25^\circ\text{C}$), V_{GT}	3V
Rate of Rise of Off-State Voltage ($V_{DRM} = 1072\text{V}$), dv/dt	500V/ μs
Operating Junction Temperature, T_J	+125°C
Storage Temperature Range, T_{stg}	-40° to +125°C
Thermal Resistance, Junction-to-Case, R_{thJC}	0.05°C/W



X-ON Electronics

Largest Supplier of Electrical and Electronic Components

Click to view similar products for [SCRs](#) category:

Click to view products by [NTE](#) manufacturer:

Other Similar products are found below :

[NTE5428](#) [NTE5448](#) [NTE5457](#) [NTE5511](#) [T1500N16TOF VT](#) [T720N18TOF](#) [T880N14TOF](#) [T880N16TOF](#) [TN1205H-6G](#) [TN1215-800B-TR](#)
[TS110-7UF](#) [TT104N12KOF-A](#) [TT104N12KOF-K](#) [TT162N16KOF-A](#) [TT162N16KOF-K](#) [TT330N16AOF](#) [VS-111RKI120PBF](#) [VS-16RIA100](#)
[VS-22RIA20](#) [VS-2N5206](#) [VS-2N685](#) [VS-40TPS08A-M3](#) [VS-50RIA10](#) [057219R](#) [T1190N16TOF VT](#) [T1220N22TOF VT](#) [T201N70TOH](#)
[T830N14TOF](#) [T830N18TOF](#) [TD92N16KOF-A](#) [TT250N12KOF-K](#) [VS-ST180S12P0V](#) [VS-25RIA40](#) [VS-16RIA120](#) [VS-30TPS08PBF](#)
[TN1215-800G-TR](#) [NTE5427](#) [NTE5442](#) [X0405NF 1AA2](#) [VS-ST300S20P0PBF](#) [T2160N28TOF VT](#) [TT251N16KOF-K](#) [VS-22RIA100](#) [VS-](#)
[16RIA40](#) [CR02AM-8#F00](#) [VS-ST110S12P0VPBF](#) [TD250N16KOF-A](#) [GA301A](#) [VS-ST110S16P0](#) [VS-10RIA10](#)