

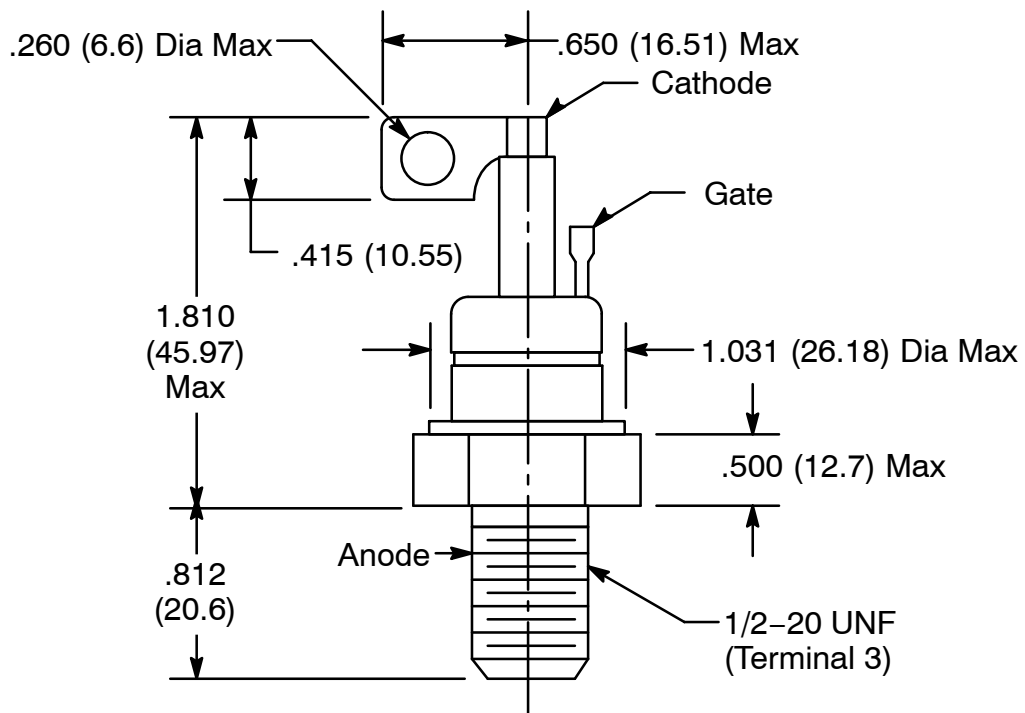
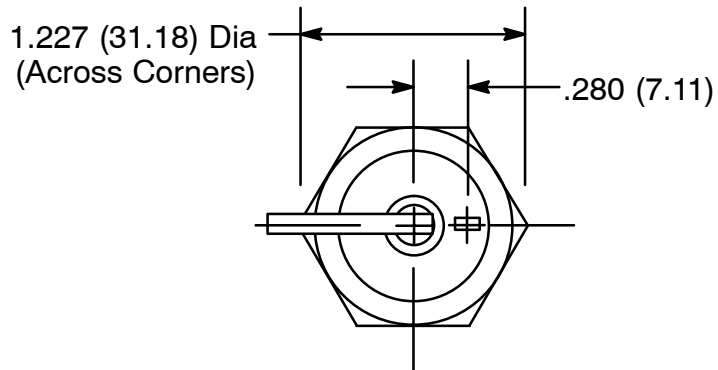


ELECTRONICS, INC.
 44 FARRAND STREET
 BLOOMFIELD, NJ 07003
 (973) 748-5089
<http://www.nteinc.com>

NTE5575, NTE5577, NTE5579 Silicon Controlled Rectifier (SCR) 125 Amp, TO83

Electrical Characteristics:

Repetitive Peak Forward Blocking Voltage, V_{DRM}	
NTE5575	200V
NTE5577	600V
NTE5579	1200V
Repetitive Peak Reverse Voltage, V_{RRM}	
NTE5575	200V
NTE5577	600V
NTE5579	1200V
Non-Repetitive Transient Peak Reverse Voltage, V_{RSM}	
NTE5575	300V
NTE5577	700V
NTE5579	1300V
Maximum RMS On-State Current, $I_{T(RMS)}$	
125A	
Maximum Average On-State Current (+180° Conduction, $T_C = +80^\circ C$), $I_{T(AV)}$	
70A	
Maximum Peak One-Cycle, Non-Repetitive Surge Current, I_{TSM}	
50Hz	1400A
60Hz	1500A
Maximum I^2t for Fusing (1.5ms), I^2t	
7000A ² sec	
Peak On-State Voltage ($T_C = +25^\circ C$, +180° Conduction, Rated $I_{T(AV)}$), V_{TM}	
2V	
Maximum Thermal Resistance, DC, Junction to Case, $R_{\theta JC}$	
0.3°C/W	
Typical Turn-Off Time ($T_J = +125^\circ C$), t_q	
100µs	
Rate-of-Rise of Turned-On Current, di/dt	
200A/µs	
Operating Junction Temperature Range, T_J	
-40° to +125°C	
Maximum Critical Rate-of-Rise of Off-State Voltage, dv/dt	
(Exponential @ $T_J = +125^\circ C$)	
200V/µs	
Maximum Required Gate Trigger Current, I_{GT}	
$T_J = -40^\circ C$	200mA
$T_J = -25^\circ C$	125mA
Maximum Required Gate Trigger Voltage ($T_J = +25^\circ C$), V_{GT}	
200mV	
Maximum Forward Voltage Drop ($I_{TM} = 500A$, $T_J = +25^\circ C$), V_F	
1.8V	



X-ON Electronics

Largest Supplier of Electrical and Electronic Components

Click to view similar products for [SCRs](#) category:

Click to view products by [NTE](#) manufacturer:

Other Similar products are found below :

[NTE5428](#) [NTE5448](#) [NTE5457](#) [NTE5511](#) [T1500N16TOF VT](#) [T720N18TOF](#) [T880N14TOF](#) [T880N16TOF](#) [TN1205H-6G](#) [TN1215-800B-TR](#)
[TS110-7UF](#) [TT104N12KOF-A](#) [TT104N12KOF-K](#) [TT162N16KOF-A](#) [TT162N16KOF-K](#) [TT330N16AOF](#) [VS-111RKI120PBF](#) [VS-16RIA100](#)
[VS-22RIA20](#) [VS-2N5206](#) [VS-2N685](#) [VS-40TPS08A-M3](#) [VS-50RIA10](#) [057219R](#) [T1190N16TOF VT](#) [T1220N22TOF VT](#) [T201N70TOH](#)
[T830N14TOF](#) [T830N18TOF](#) [TD92N16KOF-A](#) [TT250N12KOF-K](#) [VS-ST180S12P0V](#) [VS-25RIA40](#) [VS-16RIA120](#) [VS-30TPS08PBF](#)
[TN1215-800G-TR](#) [NTE5427](#) [NTE5442](#) [X0405NF 1AA2](#) [VS-ST300S20P0PBF](#) [T2160N28TOF VT](#) [TT251N16KOF-K](#) [VS-22RIA100](#) [VS-](#)
[16RIA40](#) [CR02AM-8#F00](#) [VS-ST110S12P0VPBF](#) [TD250N16KOF-A](#) [GA301A](#) [VS-ST110S16P0](#) [VS-10RIA10](#)