



ELECTRONICS, INC.
 44 FARRAND STREET
 BLOOMFIELD, NJ 07003
 (973) 748-5089
<http://www.nteinc.com>

NTE5580 thru NTE5585 Silicon Controlled Rectifier (SCR) 275 Amp, TO93

Features:

- Center Fired Gate
- All Diffused Design
- Low Gate Current
- Low Thermal Impedance
- High Surge

Electrical Characteristics:

Repetitive Peak Off-State and Reverse Voltage, V_{DRM} & V_{RRM}

NTE5580	200V
NTE5582	600V
NTE5584	1200V
NTE5585	1600V

Maximum RMS On-State Current, $I_{T(RMS)}$ 275A

Maximum Average On-State Current, $I_{T(AV)}$

$T_C = +88^\circ\text{C}$, 180° conduction	150A
$T_C = +80^\circ\text{C}$, 3 phase conduction	135A

Maximum Peak One-Cycle, Non-Repetitive Surge Current, I_{TSM}

50Hz	3200A
60Hz	3500A

Maximum I^2t for Fusing (1.5msec), I^2t 32,000A²sec

Peak On-State Voltage ($T_J = +25^\circ\text{C}$, 180° conduction, Rated $I_{T(AV)}$), V_{TM} 1.7V

Maximum Thermal Resistance, Junction-to-Case, R_{thJC} 0.14°C/W

Typical Turn-Off Time ($T_J = 125^\circ\text{C}$), t_q 250µs

Rate-of-Rise of Turned-On Current, di/dt 200A/µs

Operating Junction Temperature Range, T_J -40° to +125°C

Maximum Reverse Recovered Charge ($T_J = +25^\circ\text{C}$), Q_{RR} 200µc

Maximum Critical Rate-of-Rise of Off-State Voltage, dV/dt

Exponential @ Max. Rated T_J 200V/µs

Maximum Required Gate Current to Trigger, I_{GT}

$T_J = -40^\circ\text{C}$	200mA
$T_J = +25^\circ\text{C}$	150mA

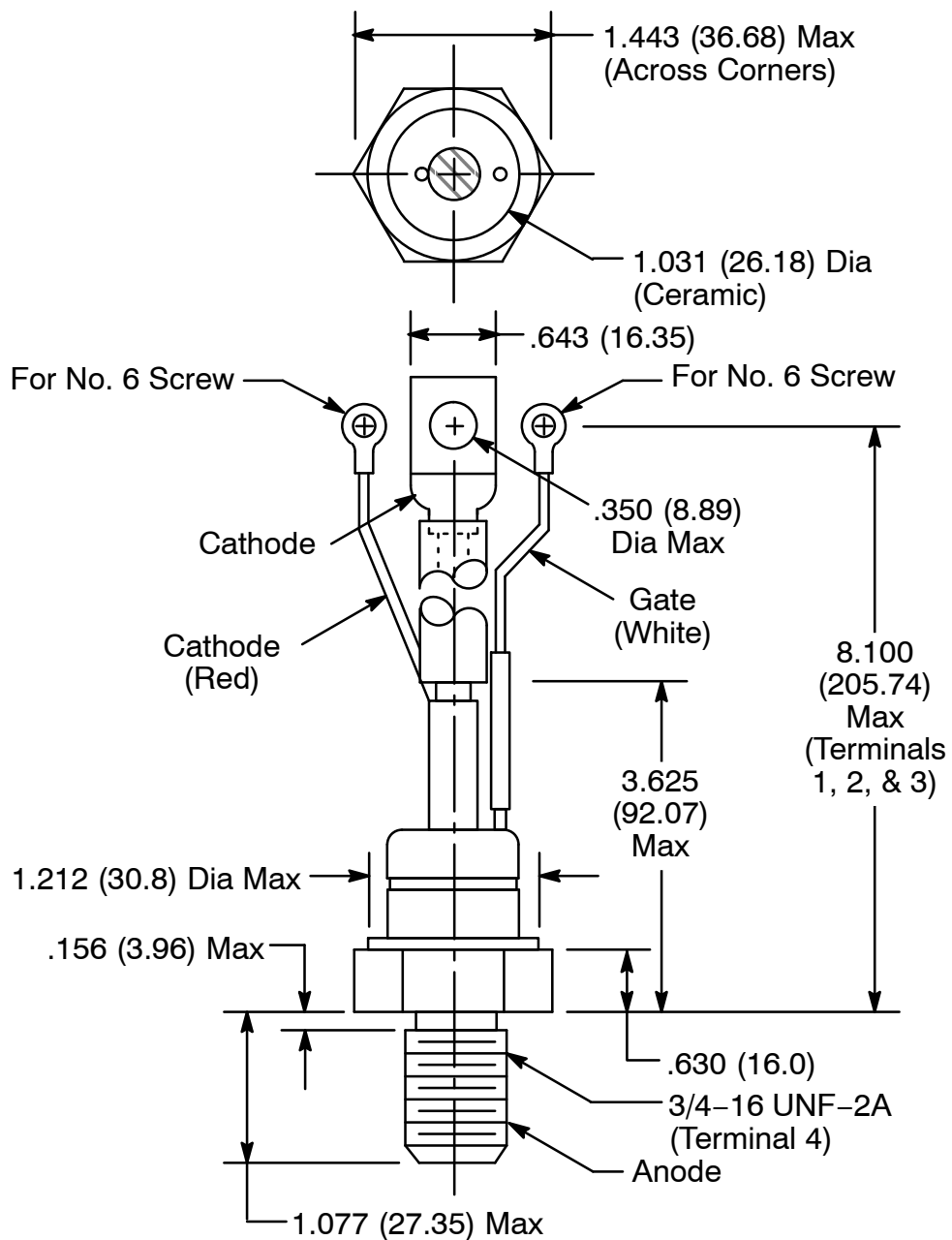
Maximum Required Gate Voltage to Trigger ($T_J = -40^\circ$ to $+125^\circ\text{C}$), V_{GT} 3V

Peak On-State Voltage, V_F Note 1

Maximum Stud Torque 300 In-Lbs (33.9 N-M)

Note 1. $V_F = A + B \cdot L_N(I) + C \cdot I + D\sqrt{I}$

Where: $I_{MIN} = 10A$
 $I_{MAX} = 3000A$
 $A = .523$
 $B = .022$
 $C = .0005$
 $D = .038$



X-ON Electronics

Largest Supplier of Electrical and Electronic Components

Click to view similar products for [SCRs category](#):

Click to view products by [NTE manufacturer](#):

Other Similar products are found below :

[NTE5428](#) [NTE5448](#) [NTE5457](#) [NTE5511](#) [T1500N16TOF VT](#) [T720N18TOF](#) [T880N14TOF](#) [T880N16TOF](#) [TN1205H-6G](#) [TN1215-800B-TR](#)
[TS110-7UF](#) [TT104N12KOF-A](#) [TT104N12KOF-K](#) [TT162N16KOF-A](#) [TT162N16KOF-K](#) [TT330N16AOF](#) [VS-111RKI120PBF](#) [VS-16RIA100](#)
[VS-22RIA20](#) [VS-2N5206](#) [VS-2N685](#) [VS-40TPS08A-M3](#) [VS-50RIA10](#) [057219R](#) [T1190N16TOF VT](#) [T1220N22TOF VT](#) [T201N70TOH](#)
[T830N14TOF](#) [T830N18TOF](#) [TD92N16KOF-A](#) [TT250N12KOF-K](#) [VS-ST180S12P0V](#) [VS-25RIA40](#) [VS-16RIA120](#) [VS-30TPS08PBF](#)
[TN1215-800G-TR](#) [NTE5427](#) [NTE5442](#) [X0405NF 1AA2](#) [VS-ST300S20P0PBF](#) [T2160N28TOF VT](#) [TT251N16KOF-K](#) [VS-22RIA100](#) [VS-](#)
[16RIA40](#) [CR02AM-8#F00](#) [VS-ST110S12P0VPBF](#) [TD250N16KOF-A](#) [GA301A](#) [VS-ST110S16P0](#) [VS-10RIA10](#)