



ELECTRONICS, INC.
 44 FARRAND STREET
 BLOOMFIELD, NJ 07003
 (973) 748-5089
<http://www.nteinc.com>

NTE5587, NTE5589, NTE5593 Silicon Controlled Rectifier (SCR) 550 Amp, TO118

Features:

- Low On-State Voltage
- High di/dt
- High dv/dt
- Excellent Surge and I²t Ratings

Applications:

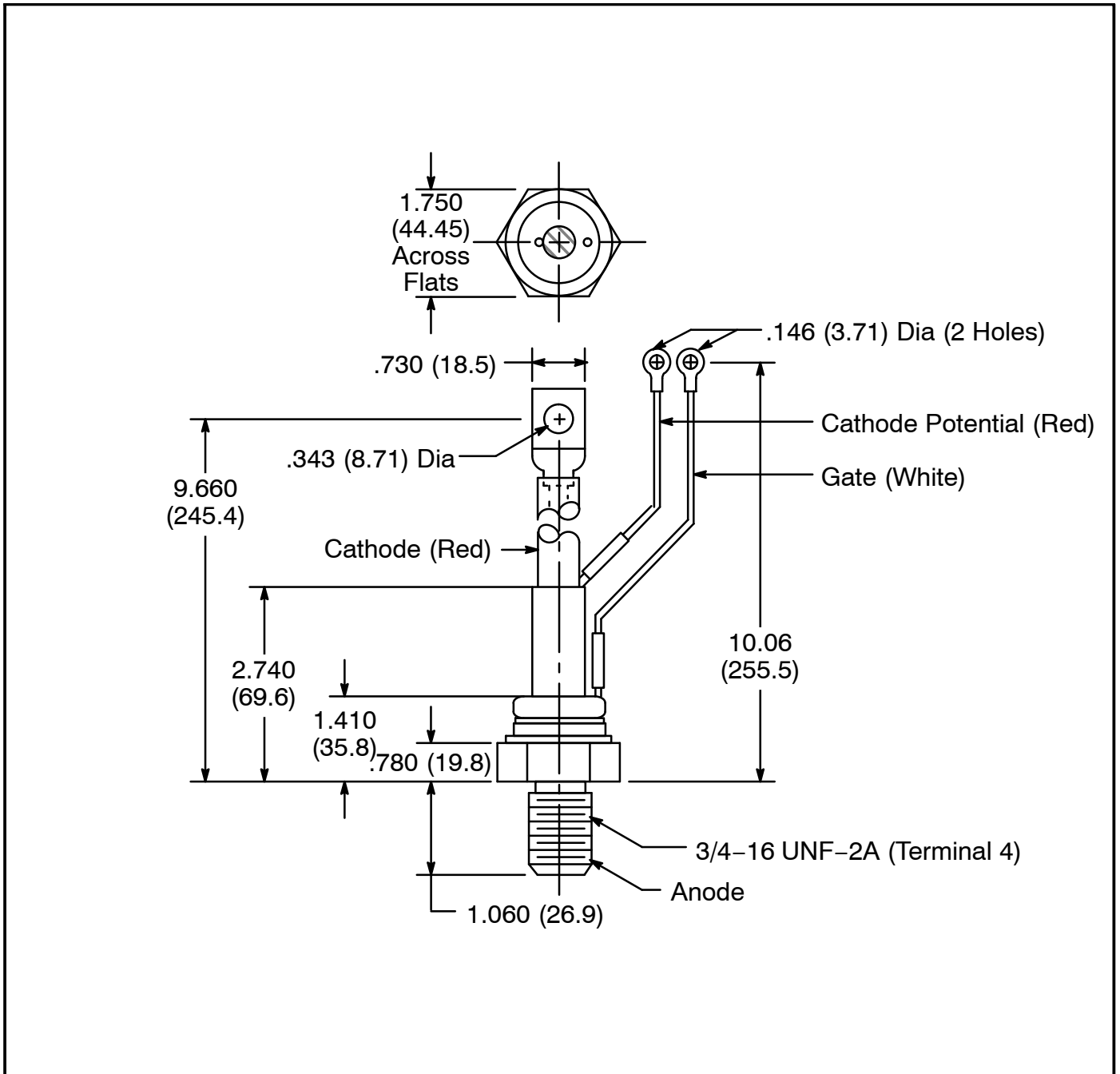
- Power Supplies
- Battery Chargers
- Motor Controls

Absolute Maximum Ratings and Electrical Characteristics:

Repetitive Peak Voltages, V _{DRM} & V _{RRM}	
NTE5587	600V
NTE5589	1200V
NTE5593	1600V
RMS On-State Current, I _{T(RMS)}	
	550A
Average On-State Current, I _{T(AV)}	
	350A
Peak One-Cycle, Non-Repetitive On-State Surge Current, I _{TSM}	
50Hz	9100A
60Hz	10,000A
Critical Rate-of-Rise of On-State Current, di/dt	
Repetitive	150A/μs
Non-Repetitive	800A/μs
I ² t fo Fusing (8.2ms), I ² t	
	416,000A ² sec
Peak Gate Power Dissipation, P _{GM}	
	16W
Average Gate Power Dissipation, P _{G(AV)}	
	3W
Peak On-State Voltage (I _{TM} = 625A, T _J = +25°C), V _{TM}	
	1.4V
Peak Forward Leakage Current (At V _{DRM} , T _J = +125°C), I _{DRM}	
	30mA
Peak Reverse Leakage Current (At V _{RRM} , T _J = +125°C), I _{RRM}	
	30mA
Gate Current to Trigger (V _D = 12V, T _J = +25°C), I _{GT}	
	150mA
Gate Voltage to Trigger (V _D = 12V, T _J = +25°C), V _{GT}	
	3V
Non-Trigging Gate Voltage (At V _{DRM} , T _J = +125°C), V _{GDM}	
	0.15V

Absolute Maximum Ratings and Electrical Characteristics (Cont'd):

Peak Forward Gate Current, I_{GTM}	4A
Peak Reverse Gate Voltage, V_{GRM}	5V
Typical Turn-Off Time, t_q ($I_T = 250A$, $di_T/dt = 25A/\mu s$, re-applied, $dv/dt = 20V/\mu s$, linear to $0.8V_{DRM}$, $T_J = +125^\circ C$)	150 μs
Typical Turn-On Time ($V_D = 100V$, $I_T = 100A$), t_{on}	7 μs
Minimum Critical dv/dt exponential to V_{DRM} ($T_J = +125^\circ C$), dv/dt	300V/ μs
Operating Junction Temperature Range, T_J	-40° to +125°C
Storage Temperature Range, T_{stg}	-40° to +150°C
Maximum Thermal Resistance, Junction-to-Case, R_{thJC}	0.10°C/W
Maximum Thermal Resistance, Case-to-Sink (Lubricated), R_{thCS}	0.05°C/W
Mounting Torque	360in.-lb.
Mounting Torque (Lubricated)	400kg-cm



X-ON Electronics

Largest Supplier of Electrical and Electronic Components

Click to view similar products for [SCRs](#) category:

Click to view products by [NTE](#) manufacturer:

Other Similar products are found below :

[NTE5428](#) [NTE5448](#) [NTE5457](#) [NTE5511](#) [T1500N16TOF VT](#) [T720N18TOF](#) [T880N14TOF](#) [T880N16TOF](#) [TN1205H-6G](#) [TN1215-800B-TR](#)
[TS110-7UF](#) [TT104N12KOF-A](#) [TT104N12KOF-K](#) [TT162N16KOF-A](#) [TT162N16KOF-K](#) [TT330N16AOF](#) [VS-111RKI120PBF](#) [VS-16RIA100](#)
[VS-22RIA20](#) [VS-2N5206](#) [VS-2N685](#) [VS-40TPS08A-M3](#) [VS-50RIA10](#) [057219R](#) [T1190N16TOF VT](#) [T1220N22TOF VT](#) [T201N70TOH](#)
[T830N14TOF](#) [T830N18TOF](#) [TD92N16KOF-A](#) [TT250N12KOF-K](#) [VS-ST180S12P0V](#) [VS-25RIA40](#) [VS-16RIA120](#) [VS-30TPS08PBF](#)
[TN1215-800G-TR](#) [NTE5427](#) [NTE5442](#) [X0405NF 1AA2](#) [VS-ST300S20P0PBF](#) [T2160N28TOF VT](#) [TT251N16KOF-K](#) [VS-22RIA100](#) [VS-](#)
[16RIA40](#) [CR02AM-8#F00](#) [VS-ST110S12P0VPBF](#) [TD250N16KOF-A](#) [GA301A](#) [VS-ST110S16P0](#) [VS-10RIA10](#)