

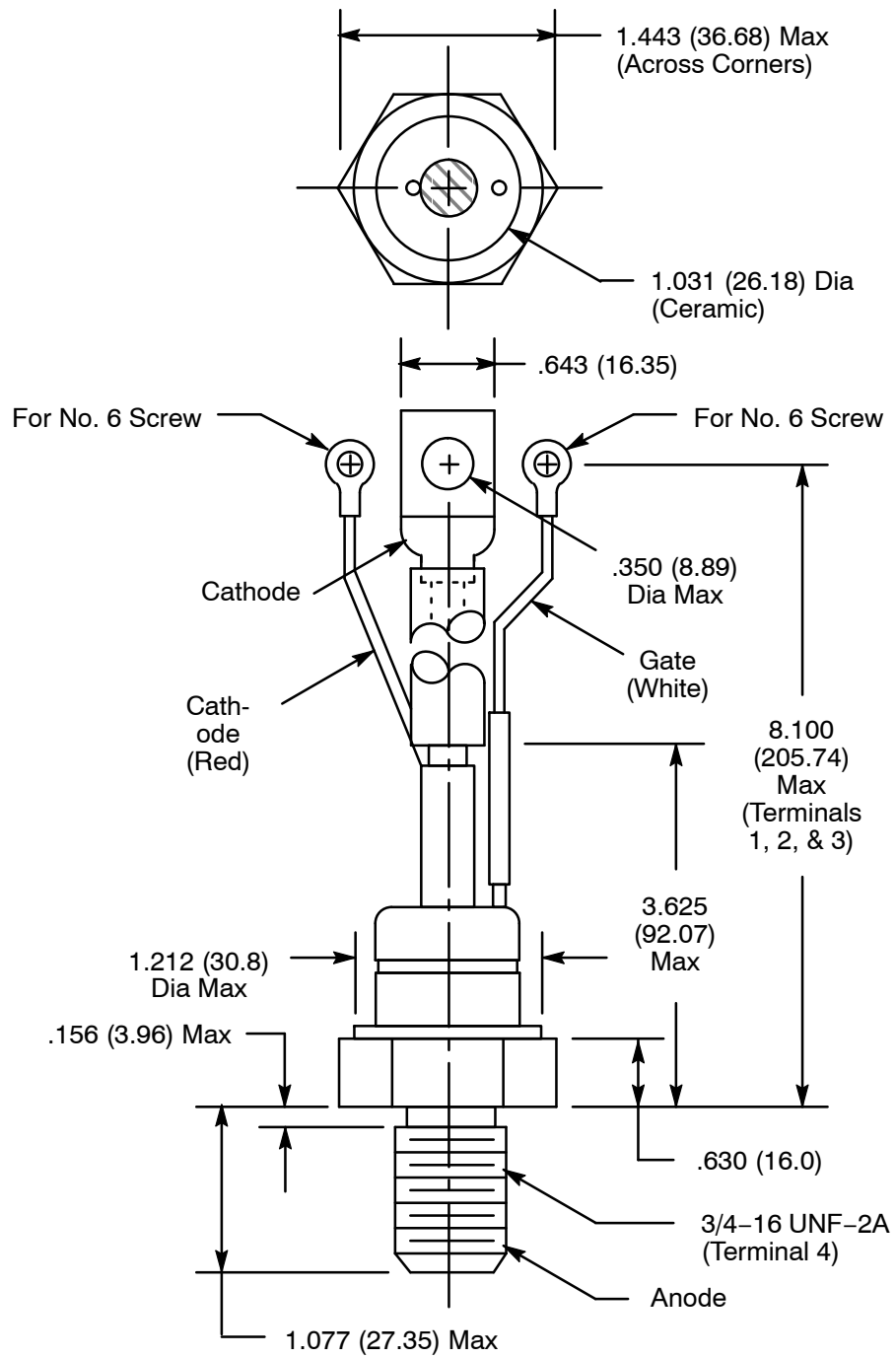


ELECTRONICS, INC.
 44 FARRAND STREET
 BLOOMFIELD, NJ 07003
 (973) 748-5089
<http://www.nteinc.com>

NTE5588 Silicon Controlled Rectifier (SCR) 1600V, 360 Amps, TO93

Electrical Characteristics: (Maximum values @ $T_J = +125^\circ\text{C}$ unless otherwise specified)

Repetitive Peak Voltages, V_{DRM} & V_{RRM}	1600V
Non-Repetitive Peak Off-State Voltage, V_{DSM}	1600V
Non-Repetitive Peak Reverse Blocking Voltage, V_{RSM}	1700V
Average On-State Current (Half Sine Wave, $T_C = +85^\circ\text{C}$), $I_{\text{T(AV)}}$	226A
RMS On-State Current, $I_{\text{T(RMS)}}$	355A
Continuous On-State Current, I_{T}	355A
Peak One-Cycle, Non-Repetitive Surge Current (10ms Duration), I_{TSM}	
60% V_{RRM} reapplied	4650A
$V_{\text{R}} \leq 10\text{V}$	5120A
Maximum I^2t for Fusing ($V_{\text{R}} \leq 10\text{V}$), I^2t	
10ms Duration	131,000A ² sec
10ms Duration	97350A ² sec
Peak Forward Gate Current (Anode Positive with Respect to Cathode), I_{FGM}	20A
Peak Forward Gate Voltage (Anode Positive with Respect to Cathode), V_{FGM}	18V
Peak Reverse Gate Voltage, V_{RGM}	5V
Average Gate Power, P_{G}	2W
Peak Gate Power (100 μs Pulse Width), P_{GM}	100W
Rate of Rise of Off-State Voltage (To 80% V_{DRM} , Gate Open), dv/dt	200V/ μs
Rate of Rise of ON-State Current, di/dt	
(Gate Drive 20V, 20 Ω , with $t_r \leq 1\mu\text{s}$, Anode Voltage $\leq 80\%$ V_{DRM})	
Repetitive	500A/ μs
Non-Repetitive	1000A/ μs
Peak On-State Voltage ($I_{\text{TM}} = 710\text{A}$), V_{TM}	1.62V
Forward Conduction Threshold Voltage, V_{O}	0.92V
Forward Conduction Slope Resistance, r	0.99m Ω
Repetitive Peak Off-State Current (At V_{DRM}), I_{DRM}	20mA
Repetitive Peak Reverse Current (At V_{RRM}), I_{RRM}	20mA
Maximum Gate Current Required to Fire All Devices ($V_{\text{A}} = 6\text{V}$, $I_{\text{A}} = 2\text{A}$, $T_J = +25^\circ\text{C}$), I_{GT} ..	150mA
Maximum Gate Voltage Required to Fire All Devices ($V_{\text{A}} = 6\text{V}$, $I_{\text{A}} = 2\text{A}$, $T_J = +25^\circ\text{C}$), V_{GT}	3V
Maximum Holding ($V_{\text{A}} = 6\text{V}$, $I_{\text{A}} = 2\text{A}$, $T_J = +25^\circ\text{C}$), I_{H}	600mA
Maximum Gate Voltage which will not Trigger any Device, V_{GD}	0.25V
Operating Temperature Range, T_C	-40° to +125°C
Storage Temperature Range, T_{stg}	-40° to +150°C
Thermal Resistance, Junction-to-Case ($V_{\text{F}} = \text{Max Rating}$), R_{thJC}	
DC and 180° Sine wave	0.12°C/W
120° Rectangular wave	0.14°C/W
Thermal Resistance, Case-to-Heat Sink, R_{thCHS}	0.04°C/W



X-ON Electronics

Largest Supplier of Electrical and Electronic Components

Click to view similar products for [SCRs](#) category:

Click to view products by [NTE](#) manufacturer:

Other Similar products are found below :

[NTE5428](#) [NTE5448](#) [NTE5457](#) [NTE5511](#) [T1500N16TOF VT](#) [T720N18TOF](#) [T880N14TOF](#) [T880N16TOF](#) [TN1205H-6G](#) [TN1215-800B-TR](#)
[TS110-7UF](#) [TT104N12KOF-A](#) [TT104N12KOF-K](#) [TT162N16KOF-A](#) [TT162N16KOF-K](#) [TT330N16AOF](#) [VS-111RKI120PBF](#) [VS-16RIA100](#)
[VS-22RIA20](#) [VS-2N5206](#) [VS-2N685](#) [VS-40TPS08A-M3](#) [VS-50RIA10](#) [057219R](#) [T1190N16TOF VT](#) [T1220N22TOF VT](#) [T201N70TOH](#)
[T830N14TOF](#) [T830N18TOF](#) [TD92N16KOF-A](#) [TT250N12KOF-K](#) [VS-ST180S12P0V](#) [VS-25RIA40](#) [VS-16RIA120](#) [VS-30TPS08PBF](#)
[TN1215-800G-TR](#) [NTE5427](#) [NTE5442](#) [X0405NF 1AA2](#) [VS-ST300S20P0PBF](#) [T2160N28TOF VT](#) [TT251N16KOF-K](#) [VS-22RIA100](#) [VS-](#)
[16RIA40](#) [CR02AM-8#F00](#) [VS-ST110S12P0VPBF](#) [TD250N16KOF-A](#) [GA301A](#) [VS-ST110S16P0](#) [VS-10RIA10](#)