

## CURRENT REGULATIVE LED

# CRLED

- CRLED is LED which supplies constant current to keep LED Intensity Consistency even when power supply voltage fluctuations or load impedance fluctuations occur.

- CRLED is used with current stabilization and current limiting

### ■ Features

- High Luminous LEDs / 5mm Round Standard Directivity
- Superior Weather-resistance / UV Resistant Epoxy
- Water Clear Type

### ■ Absolute Maximum Rating

(Ta=25°C)

Item	Symbol	Value	Unit
DC Forward Voltage	V <sub>F</sub>	20	V
Power Dissipation	P <sub>D</sub>	350	mW
Operating Temperature	T <sub>opr</sub>	-30 ~ +85	°C
Storage Temperature	T <sub>stg</sub>	-40~ +100	°C
Lead Soldering Temperature	T <sub>sol</sub>	260°C/5sec	-

### ■ Electrical -Optical Characteristics

(Ta=25°C)

Part Number	Color	V <sub>F</sub> (V)		I <sub>F</sub> (mA)			I <sub>R</sub> (μA)	I <sub>v</sub> (mcd)*			λD(nm)*			2θ1/2(deg)	
		Min	Max	Min	Typ.	Max.	Max..	Min.	Typ.	Max.	Min.	Typ.	Max.	Typ.	
		V <sub>F</sub> =12V		V <sub>R</sub> =8V			V <sub>F</sub> =12V								
OSW5DK5111A-CRLED18	White	5.5	20		18	-	10	-	18000	-	X=0.27, Y=0.28			15	
OSM5DK5111A- CRLED18	Warm White	5.5	20		18	-	10	-	14400	-	X=0.45, Y=0.41			15	
OSK5DK5111A- CRLED18	Pink	5.5	20		18	-	10	-	4200	-	X=0.45, Y=0.17			15	
OSB64L5111A- CRLED18	Ice Blue	5.5	20		18	-	10	-	18000	-	X=0.19, Y=0.29			15	
OSB5SA5111A-CRLED18	Blue	5.5	20		18	-	10	-	12000	-	465	470	475	15	
OSG5DA5111A-CRLED18	Pure Green	5.5	20		18	-	10	-	22000	-	520	525	530	15	
OSY5MA5111A- CRLED18	Yellow	5	20		18	-	10	-	14400	-	585	590	595	15	
OS5OGA5111A- CRLED18	Orange	5	20		18	-	10	-	22000	-	600	605	610	15	
OSR5MA5111A- CRLED18	Red	5	20		18	-	10	-	14400	-	620	625	630	15	

\*1 Tolerance of measurements of chromaticity coordinate is ±10%

\*2 Tolerance of measurements of dominant wavelength is ±1nm

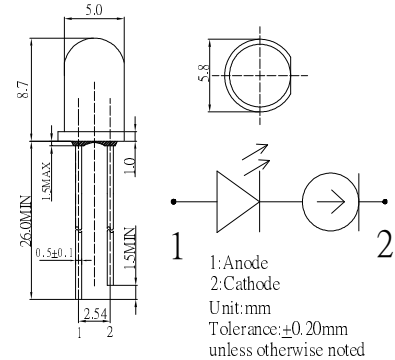
\*3 Tolerance of measurements of luminous intensity is ±15%

\*4 Tolerance of measurements of forward voltage is±0.1V

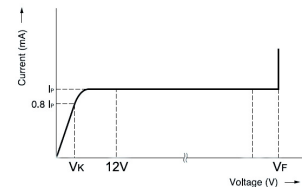
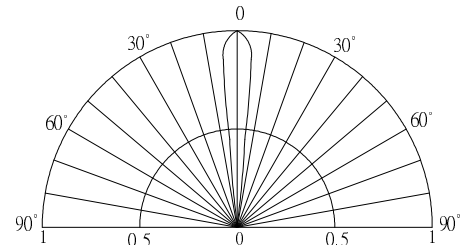
### ■ Applications

- Electronic Signs And Signals/ Small Area Illuminations
- Back Lighting/ Toys/ Other Lighting

### ■ Outline Dimension



### ■ Directivity

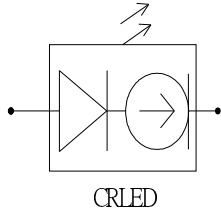


Explanation of terms  
I<sub>v</sub> Pinch-off current at 12V  
V<sub>k</sub> Voltage which produces 0.8Ip or greater current  
V<sub>f</sub> Breakdown voltage

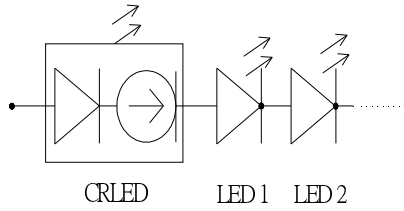
<b>Current Regulative LED</b>
<b>5mm Round LED</b>
<b>OSXXXX5111A-CRLED18</b>
<b>VER A.1.1</b>

■ **Typical Applications**

1: Single LED



2: Multi- LEDs in series



## X-ON Electronics

Largest Supplier of Electrical and Electronic Components

*Click to view similar products for [Standard LEDs - Through Hole category:](#)*

*Click to view products by [Optosupply manufacturer:](#)*

Other Similar products are found below :

[LTL-10254W](#) [LTL-1214A](#) [LTL-1BEDJ](#) [LTL-2231AT](#) [LTL2V3EU3KS](#) [LTL-3251A](#) [LTL-4262N](#) [LTL-433P](#) [LTL-5234](#) [LTL87HTBK](#)  
[LTW-87HD4B](#) [HLMP-AG64-X10ZZ](#) [HLMP-EG1A-Z10DV](#) [HLMP-EL3B-WXKDD](#) [HLMP-HB74-UVBDD](#) [HLMP-HG65-VY0DD](#) [HLMP-HM74-34CDD](#) [HLMP-HM75-34CDD](#) [1L0532V23G0TD001](#) [NSPW500CS](#) [C4SMA-BGF-CQ34Q3C2](#) [L53GC13](#) [L53SRC](#) [264-7SURTS530-A3](#) [L-934MD/2ID](#) [L-934MD/2YD](#) [L-C150JRCT](#) [S4SMS-BJF-CQ42QGF2](#) [S4SMS-GJF-CW12QMF2](#) [LD CQDP-1U3U-W5-1-K](#)  
[LNX998CKBDA](#) [LO566UHR3-70G-A3](#) [SLA560WBD2PT3](#) [LP379PPG1C0G0300001](#) [SLR-322MCT32](#) [SLR-342MC3F](#) [SLR343BC7TT32](#)  
[SLR343BCTT32](#) [SLX-LX3044GD](#) [SLX-LX3044HC](#) [SLX-LX3044ID](#) [SLX-LX3044YD](#) [1.90690.3330000](#) [SSL-LX20483ID](#) [SSL-LX3034YD](#)  
[SSL-LX5093LGT-11](#) [SSL-LX5093PGC](#) [SSL-LX5093SRC39240](#) [SSL-LX5093SYT](#) [SSL-LX509E3SIT](#)