

### ■ Features

- High Luminous LEDs
- 5mm Round Standard Directivity
- Superior Weather-resistance
- UV Resistant Epoxy
- 6.8Hz 1/12 Duty Cycle Flashing Type
- Water Clear Type

### ■ Applications

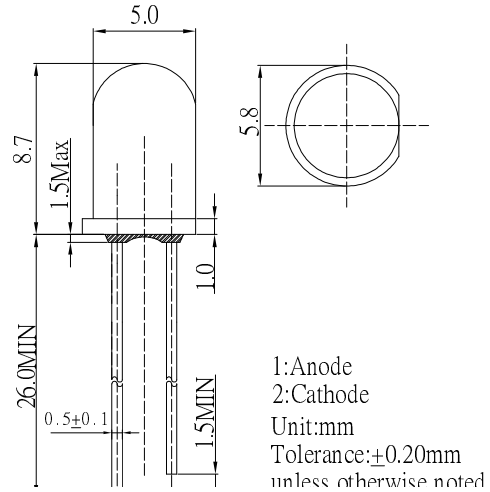
- Toys
- Games
- Audio
- Other Lighting

### ■ Absolute Maximum Rating

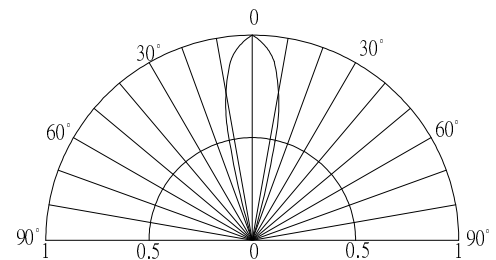
(Ta=25°C)

Item	Symbol	Value	Unit
Power Supply	Voltage	5	V
Duty Cycle	Duty	1/12	-
Operating Temperature	Topr	-30 ~ +85	°C
Storage Temperature	Tstg	-40~ +100	°C
Lead Soldering Temperature	Tsol	260°C/5sec	-

### ■ Outline Dimension



### ■ Directivity



### ■ Electrical -Optical Characteristics (Ta=25°C)

Part Number	Color		VF (V)			Iv(mcd)*			λD(nm)*			Fled (Hz)*	2θ1/2(deg)
			Min.	Typ.	Max.	Min.	Typ.	Max.	Min.	Typ.	Max.	Typ.	Typ
			IF =20mA			IF =20mA							
OSW5DP5A31A-6.8HZ	Cool White	W	3.0	3.5	5.0	7000	8400	-	CCT:8000-18000K			6.8	30
OSM5DP5A31A-6.8HZ	Warm White	M	3.0	3.5	5.0	7000	8400	-	CCT:2700-3200K				
OSB5SP5A31A-6.8HZ	Blue	B	3.0	3.5	5.0	2000	2500	-	465	470	475		
OSG5DP5A31A-6.8HZ	Pure Green	G	3.0	3.5	5.0	7000	8400	-	520	525	530		
OSY5JP5A31A-6.8HZ	Yellow	Y	3.0	3.5	5.0	1120	1560	-	585	590	595		
OSY5MP5A31A-6.8HZ	Yellow	Y	3.0	3.5	5.0	5800	6500	-	585	590	595		
OSO5JP5A31A-6.8HZ	Orange	O	3.0	3.5	5.0	1560	2180	-	600	605	610		
OSR5JP5A31A-6.8HZ	Red	R	3.0	3.5	5.0	1120	1560	-	620	625	630		
OSR5MP5A31A-6.8HZ	Red	R	3.0	3.5	5.0	5800	6500	-	620	625	630		

\*1 Tolerance of measurements of chromaticity coordinates is ±10%

\*2 Tolerance of measurements of dominant wavelength is ±1nm

\*3 Tolerance of measurements of luminous intensity is ±15%

\*4 Tolerance of measurements of forward voltage is ±0.1V

\*5 Tolerance of measurements of Frequency is ±20%

## X-ON Electronics

Largest Supplier of Electrical and Electronic Components

*Click to view similar products for [Standard LEDs - SMD category](#):*

*Click to view products by [Optosupply manufacturer](#):*

Other Similar products are found below :

[LTST-N683GBEW](#) [597-3006-607F](#) [LTW-170ZDC](#) [597-3403-607F](#) [LTW-K140SZR40](#) [LTW-M140ZVS](#) [598-8110-100F](#) [598-8170-100F](#)  
[598-8610-202F](#) [7012X7](#) [AAAF5060QBFSEEZGS](#) [APT1608QGW](#) [ASMT-YTC7-0AA02](#) [EASV1803BA0](#) [HT-F104TW-5860](#) [KA-3528YT](#)  
[SML310BATT86](#) [SML-512VWT86A](#) [SML-LX0606SISUGC/A](#) [SML-LXL1307SRC-TR](#) [SML-LXR851SIUPGUBC](#) [LT1ED53A](#) [17-21/G6C-](#)  
[FM1N2B/3T](#) [FAT801-S](#) [AM27ZGC03](#) [APB3025SGNC](#) [APFA3010SURKCGKQBDC](#) [APHK1608VGCA](#) [APT2012QGW](#) [CLMVC-FKA-](#)  
[CA1E1L81BB7C3C3](#) [CLX6D-FKB-CN1R1H1BB7D3D3](#) [CLYBA-FKA-CFHHL9BBB7A363](#) [CMD11504UR](#) [LTST-C250KGKT](#) [LTW-](#)  
[010DCG](#) [LTW-21TS5](#) [LTW-220DS5](#) [LTW-K140SZR30](#) [ASMB-BTE1-0B332](#) [ASMT-CW00](#) [MP-1616-2103-50-80](#) [BR1102W-TR-LF](#)  
[HSMY-C177](#) [HT-121UYG-4739](#) [JANTXM19500/521-02](#) [UYGT801-S](#) [KVH1C100MF6R](#) [42-21SYGC/S530-E1/TR8](#) [YGFR411-H](#) [597-](#)  
[2311-402F](#)