

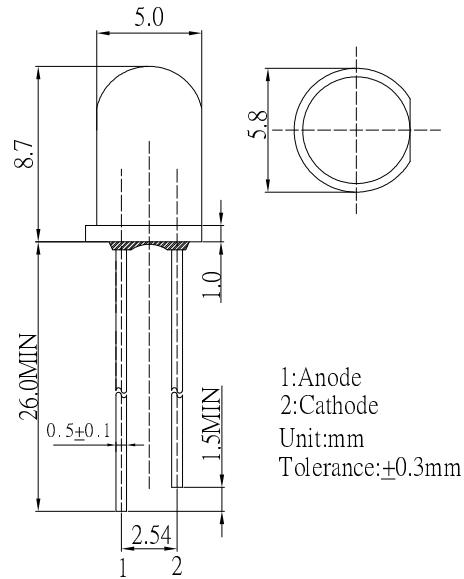
### ■ Features

- High Luminous LEDs
- 5mm Round Standard Directivity
- Superior Weather-resistance
- UV Resistant Epoxy
- Water Clear Type

### ■ Applications

- Electronic Signs And Signals
- Small Area Illuminations
- Back Lighting
- Other Lighting

### ■ Outline Dimension



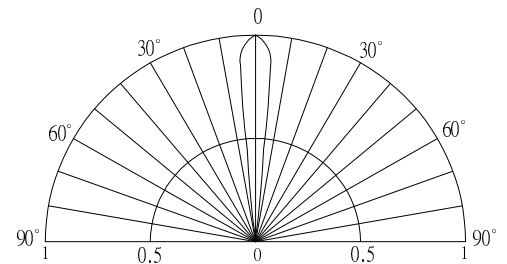
### ■ Absolute Maximum Rating

(Ta=25°C)

| Item                       | Symbol           | Value      | Unit |
|----------------------------|------------------|------------|------|
| DC Forward Current         | I <sub>F</sub>   | 30         | mA   |
| Pulse Forward Current*     | I <sub>FP</sub>  | 100        | mA   |
| Reverse Voltage            | V <sub>R</sub>   | 5          | V    |
| Power Dissipation          | P <sub>D</sub>   | 78         | mW   |
| Operating Temperature      | T <sub>opr</sub> | -30 ~ +85  | °C   |
| Storage Temperature        | T <sub>stg</sub> | -40 ~ +100 | °C   |
| Lead Soldering Temperature | T <sub>sol</sub> | 260°C/5sec | -    |

\*Pulse width Max.10ms Duty ratio max 1/10

### ■ Directivity



### ■ Electrical -Optical Characteristics

(Ta=25°C)

| Item                | Symbol            | Condition            | Min. | Typ. | Max. | Unit |
|---------------------|-------------------|----------------------|------|------|------|------|
| DC Forward Voltage  | V <sub>F</sub>    | I <sub>F</sub> =20mA | 1.8  | 2.1  | 2.6  | V    |
| DC Reverse Current  | I <sub>R</sub>    | V <sub>R</sub> =5V   | -    | -    | 10   | μA   |
| Domi. Wavelength*   | λ <sub>D</sub>    | I <sub>F</sub> =20mA | 620  | 625  | 630  | nm   |
| Luminous Intensity* | I <sub>v</sub>    | I <sub>F</sub> =20mA | 7000 | 9000 | -    | mcd  |
| 50% Power Angle     | 2θ <sub>1/2</sub> | I <sub>F</sub> =20mA | -    | 15   | -    | deg  |

\*1 Tolerance of measurements of dominant wavelength is ±1nm

\*2 Tolerance of measurements of luminous intensity is ±15%

\*3 Tolerance of measurements of forward voltage is ±0.1V

## X-ON Electronics

Largest Supplier of Electrical and Electronic Components

*Click to view similar products for [Standard LEDs - Through Hole category:](#)*

*Click to view products by [Optosupply manufacturer:](#)*

Other Similar products are found below :

[LTL-10254W](#) [LTL-1214A](#) [LTL-1BEDJ](#) [LTL-2231AT](#) [LTL2V3EU3KS](#) [LTL-3251A](#) [LTL-4262N](#) [LTL-433P](#) [LTL-5234](#) [LTL87HTBK](#)  
[LTW-87HD4B](#) [HLMP-AG64-X10ZZ](#) [HLMP-EG1A-Z10DV](#) [HLMP-EL3B-WXKDD](#) [HLMP-HB74-UVBDD](#) [HLMP-HG65-VY0DD](#) [HLMP-HM74-34CDD](#) [HLMP-HM75-34CDD](#) [1L0532V23G0TD001](#) [NSPW500CS](#) [C4SMA-BGF-CQ34Q3C2](#) [L53GC13](#) [L53SRC](#) [264-7SURTS530-A3](#) [L-934MD/2ID](#) [L-934MD/2YD](#) [L-C150JRCT](#) [S4SMS-BJF-CQ42QGF2](#) [S4SMS-GJF-CW12QMF2](#) [LD CQDP-1U3U-W5-1-K](#)  
[LNX998CKBDA](#) [LO566UHR3-70G-A3](#) [SLA560WBD2PT3](#) [LP379PPG1C0G0300001](#) [SLR-322MCT32](#) [SLR-342MC3F](#) [SLR343BC7TT32](#)  
[SLR343BCTT32](#) [SLX-LX3044GD](#) [SLX-LX3044HC](#) [SLX-LX3044ID](#) [SLX-LX3044YD](#) [1.90690.3330000](#) [SSL-LX20483ID](#) [SSL-LX3034YD](#)  
[SSL-LX5093LGT-11](#) [SSL-LX5093PGC](#) [SSL-LX5093SRC39240](#) [SSL-LX5093SYT](#) [SSL-LX509E3SIT](#)