

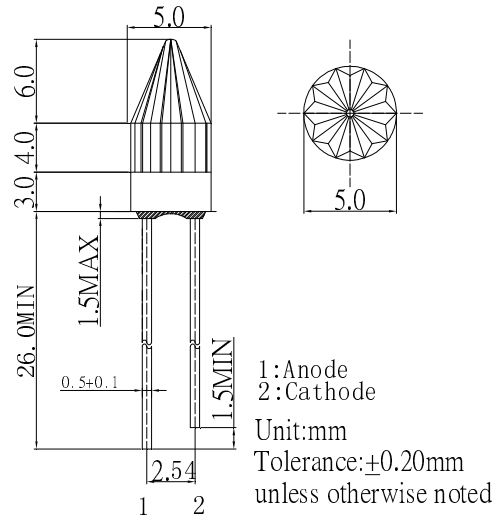
### ■ Features

- High Luminous LEDs
- 5mm Rocket Standard Directivity
- Superior Weather-resistance
- Candle Lighting Flashing Type

### ■ Applications

- Toys
- Games
- Audio
- Other Lighting

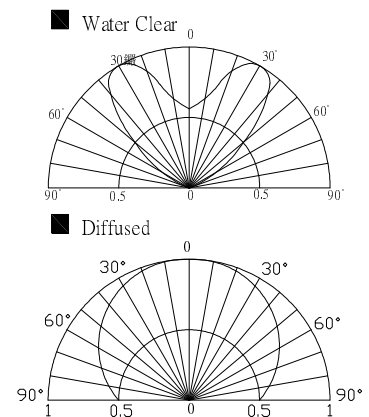
### ■ Outline Dimension



### ■ Absolute Maximum Rating (Ta=25°C)





Item	Symbol	Value	Unit
Power Supply	Voltage	5.0	V
Operating Temperature	Topr	-30 ~ +85	°C
Storage Temperature	Tstg	-40 ~ +100	°C
Lead Soldering Temperature	Tsol	260°C/5sec	-

### ■ Directivity



\*Pulse width Max.10ms Duty ratio max 1/10

### ■ Electrical -Optical Characteristics (Ta=25°C)

Part Number	Color			V <sub>F</sub> (V)			I <sub>v</sub> (mcd)*			CCT(K)/λD(nm)*			2θ <sub>1/2</sub> (deg)
				Min.	Typ.	Max.	Typ.	Typ.	Max.	Min.	Typ.	Max.	Typ.
				I <sub>F</sub> =20mA			I <sub>F</sub> =20mA						
OS2MDK58A1B	Warm White	M		2.5	3.3	5.0	500	750	-	2000-2400K(X:0.51,Y:0.41)			100
OS2MDK58K2B	Warm White	M		2.5	3.3	5.0	220	330	-	2000-2400K(X:0.51,Y:0.41)			180
OSY5MK58A1B	Yellow	Y		2.5	3.3	5.0	750	1120	-	585	590	595	100
OSY5MK58K2B	Yellow	Y		2.5	3.3	5.0	220	330	-	585	590	595	180

\*1 Tolerance of measurements of Chromaticity coordinates is ±10%

\*2 Tolerance of measurements of Dominant wavelength is ±1nm

\*3 Tolerance of measurements of luminous intensity is ±15%

\*4 Tolerance of measurements of forward voltage is ±0.1V

\*5 Tolerance of measurements of Frequency is ±20%

## X-ON Electronics

Largest Supplier of Electrical and Electronic Components

*Click to view similar products for [Standard LEDs - SMD category](#):*

*Click to view products by [Optosupply manufacturer](#):*

Other Similar products are found below :

[LTST-N683GBEW](#) [597-3006-607F](#) [LTW-170ZDC](#) [597-3403-607F](#) [LTW-K140SZR40](#) [LTW-M140ZVS](#) [598-8110-100F](#) [598-8170-100F](#)  
[598-8610-202F](#) [7012X7](#) [AAAF5060QBFSEEZGS](#) [APT1608QGW](#) [ASMT-YTC7-0AA02](#) [EASV1803BA0](#) [HT-F104TW-5860](#) [KA-3528YT](#)  
[SML310BATT86](#) [SML-512VWT86A](#) [SML-LX0606SISUGC/A](#) [SML-LXL1307SRC-TR](#) [SML-LXR851SIUPGUBC](#) [LT1ED53A](#) [17-21/G6C-](#)  
[FM1N2B/3T](#) [FAT801-S](#) [AM27ZGC03](#) [APB3025SGNC](#) [APFA3010SURKCGKQBDC](#) [APHK1608VGCA](#) [APT2012QGW](#) [CLMVC-FKA-](#)  
[CA1E1L81BB7C3C3](#) [CLX6D-FKB-CN1R1H1BB7D3D3](#) [CLYBA-FKA-CFHHL9BBB7A363](#) [CMD11504UR](#) [LTST-C250KGKT](#) [LTW-](#)  
[010DCG](#) [LTW-21TS5](#) [LTW-220DS5](#) [LTW-K140SZR30](#) [ASMB-BTE1-0B332](#) [ASMT-CW00](#) [MP-1616-2103-50-80](#) [BR1102W-TR-LF](#)  
[HSMY-C177](#) [HT-121UYG-4739](#) [JANTXM19500/521-02](#) [UYGT801-S](#) [KVH1C100MF6R](#) [42-21SYGC/S530-E1/TR8](#) [YGFR411-H](#) [597-](#)  
[2311-402F](#)