

CARDMASTER PC 30/25-FC3



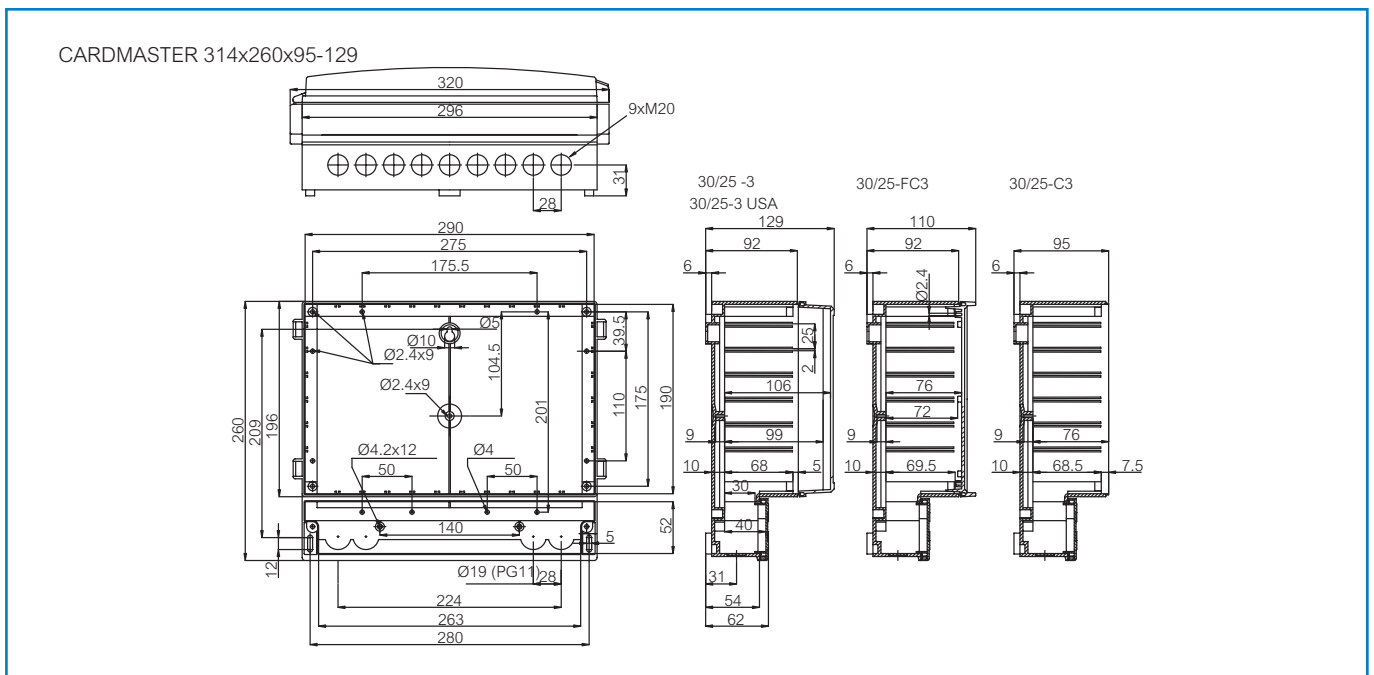
Order symbol: PC 30/25-FC3
Product nbr: 7520231
Description: Enclosure, PC
Remarks: Grey screw cover

EAN: 6418074059383
EI. number:
Finland: 3438228
Electric No. Sweden: 7520231

Including: Base, terminal compartment cover with EPDM gasket and screws for mounting plate/DIN-rail. -3 and -L3 versions: Transparent cover with PUR gasket, hinges, locking devices; FC version: Closed PC frame front plate with PUR gasket and cover screws.

Sample photo

| Dimensions: | | | | Accessories: | |
|-------------------------------------|----------------------|-------|--------|--|-------------------------|
| | Length | Width | Height | | |
| mm: | 314 | 260 | 110 | FP 30/25 | Front plate (aluminium) |
| inch: | 12.4 | 10.2 | 4.3 | FC PC 30/25 | Frame of PC front plate |
| Materials: | | | | Rating: | |
| Material: | Polycarbonate | | | Ingress Protection (EN 60529): IP65 | |
| Base colour: | RAL 7035 -light grey | | | Impact Resistance (EN 62262): IK07/IK08 | |
| Gasket material: | EPDM & PUR | | | Electrical insulation: Totally insulated | |
| Temperatures: | | | | Halogen free (DIN/VDE 0472, Part 815): 1 | |
| Temperature °C (short term): | -40 ... 120 °C | | | UV resistance: UL 508 | |
| Temperature °C (continuous): | -40 ... 80 °C | | | Flammability Rating: UL 746C 5" | |
| Temperature °F (short term): | -40 ... 250 °F | | | Glow Wire Test (IEC 695-2-1) °C: 960 | |
| Temperature °F (continuous): | -40 ... 175 °F | | | NEMA Class: NEMA 1, 3, 3R, 4X, 12, 13 | |
| Accessories: | | | | Certificates: | |
| MP 30/25 | Mounting plate | | | SGS Fimko | |
| | | | | Gost R | |



X-ON Electronics

Largest Supplier of Electrical and Electronic Components

Click to view similar products for [Mounting Fixings](#) category:

Click to view products by [Fibox](#) manufacturer:

Other Similar products are found below :

[5912235-2](#) [007310](#) [007541](#) [6-141-P](#) [620HA038NF09](#) [620HA038NF11](#) [CTJ420E028-513](#) [M81714/60-12-01](#) [M81714/60-22-01](#) [L/C](#)
[MA1EAF1200](#) [70-584649-01P](#) [71-074914-006](#) [71-215091-8S](#) [712HA170B23128-N](#) [71-344699-4S](#) [71-441549-19S](#) [71-441864-5S](#) [71-](#)
[490451-4H](#) [EX-13-3-B-16-325PN](#) [75-69116-8S](#) [75-69211-3P](#) [75-69220-27S](#) [75-69224-5S](#) [75-69614-2S](#) [770-006A109](#) [770-006A109R](#) [770-](#)
[006A207](#) [770-006A208W1](#) [770-006A209](#) [770-006A306](#) [770-006A703W1](#) [770-006A704](#) [770-006A704W1](#) [770-006A705](#) [770-006A706](#)
[770-006A706W1](#) [770-006A707](#) [770-006A709](#) [770-007A203](#) [770-007A203W1](#) [770-007A204W1](#) [770-007A207W1](#) [770-007A703](#) [770-](#)
[007A704W1](#) [770-007A706](#) [770-007A707W1](#) [770-010Y208](#) [770-010Y308](#) [770-010Y705](#) [770-010Y706](#)