

CARDMASTER PC 36/31-C3



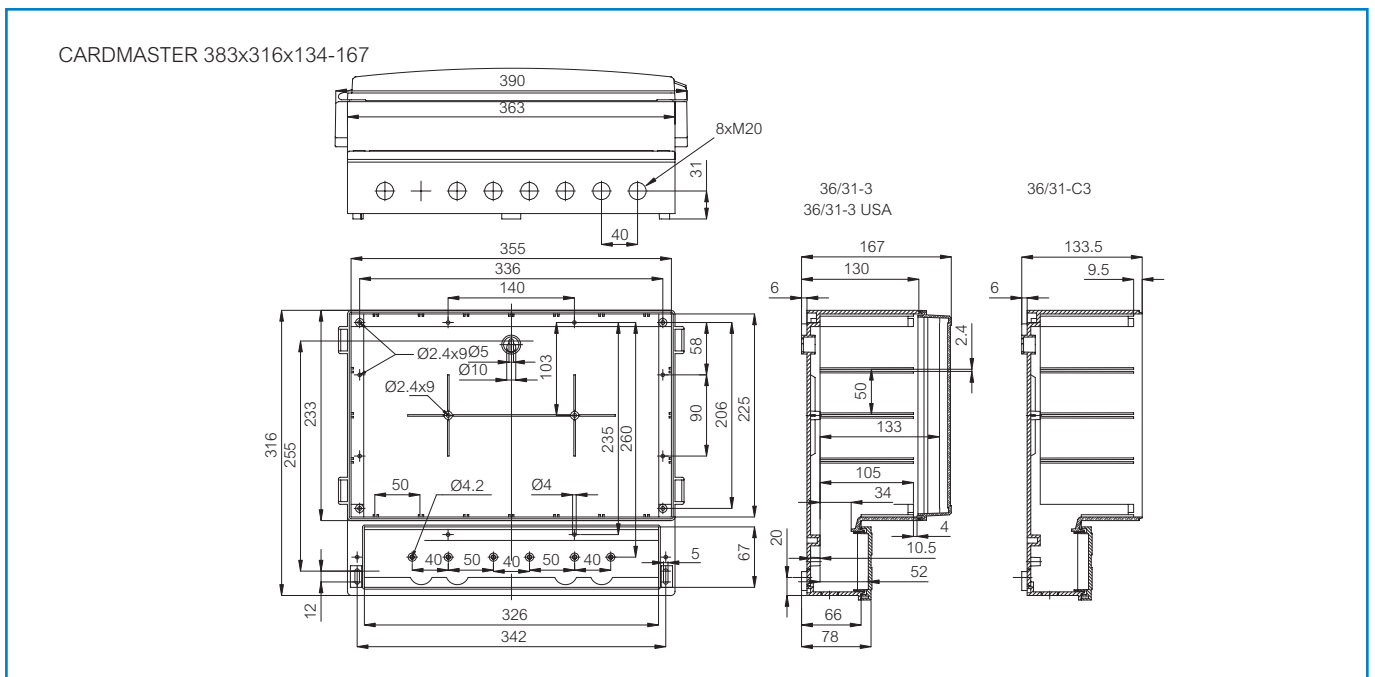
Sample photo

Order symbol: PC 36/31-C3
Product nbr: 7520032
Description: Enclosure, PC
Remarks: With aluminium front plate

EAN: 6418074005861
EI. number:
 Finland: 3420836
 Electric No. 8212016693
 Denmark:
 Electric No. Sweden: 7520032

Including: Base, terminal compartment cover with EPDM gasket and screws for mounting plate/DIN-rail. -3 and -L3 versions: Transparent cover with PUR gasket, hinges, locking devices; FC version: Closed PC frame front plate with PUR gasket and cover screws.

Dimensions:				Accessories:	
	Length	Width	Height		
mm:	383	316	134	FP 36/31	Front plate (aluminium)
inch:	15.1	12.4	5.3		
Materials:				Rating:	
Material:	Polycarbonate			Impact Resistance (EN 62262): IK07	
Base colour:	RAL 7035 -light grey			Electrical insulation: Totally insulated	
Gasket material:	EPDM			Halogen free (DIN/VDE 0472, Part 815): 1	
				UV resistance: UL 508	
				Flammability Rating: UL 746C 5"	
				Glow Wire Test (IEC 695-2-1) °C: 960	
				NEMA Class: NEMA 1, 3, 3R, 12, 13	
Temperatures:				Certificates:	
Temperature °C (short term):	-40 ... 120 °C			SGS Fimko	
Temperature °C (continuous):	-40 ... 80 °C			Gost R	
Temperature °F (short term):	-40 ... 250 °F				
Temperature °F (continuous):	-40 ... 175 °F				
Accessories:					
MP 36/31	Mounting plate				



X-ON Electronics

Largest Supplier of Electrical and Electronic Components

Click to view similar products for [Mounting Fixings](#) category:

Click to view products by [Fibox](#) manufacturer:

Other Similar products are found below :

[5912235-2](#) [007310](#) [007541](#) [6-141-P](#) [620HA038NF09](#) [620HA038NF11](#) [CTJ420E028-513](#) [M81714/60-12-01](#) [M81714/60-22-01](#) [L/C](#)
[MA1EAF1200](#) [70-584649-01P](#) [71-074914-006](#) [71-215091-8S](#) [712HA170B23128-N](#) [71-344699-4S](#) [71-441549-19S](#) [71-441864-5S](#) [71-](#)
[490451-4H](#) [EX-13-3-B-16-325PN](#) [75-69116-8S](#) [75-69211-3P](#) [75-69220-27S](#) [75-69224-5S](#) [75-69614-2S](#) [770-006A109](#) [770-006A109R](#) [770-](#)
[006A207](#) [770-006A208W1](#) [770-006A209](#) [770-006A306](#) [770-006A703W1](#) [770-006A704](#) [770-006A704W1](#) [770-006A705](#) [770-006A706](#)
[770-006A706W1](#) [770-006A707](#) [770-006A709](#) [770-007A203](#) [770-007A203W1](#) [770-007A204W1](#) [770-007A207W1](#) [770-007A703](#) [770-](#)
[007A704W1](#) [770-007A706](#) [770-007A707W1](#) [770-010Y208](#) [770-010Y308](#) [770-010Y705](#) [770-010Y706](#)