

# PCLD-8751

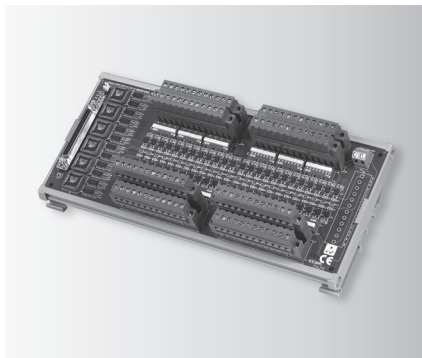
# PCLD-8761

# PCLD-8762

## 48-ch Opto-Isolated Digital Input Board

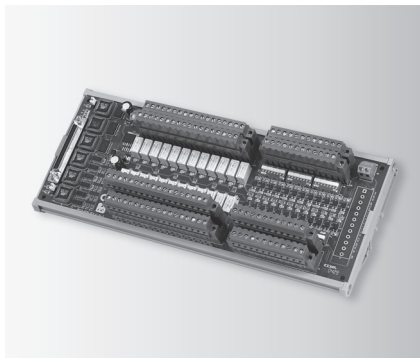
## 24-ch Opto-Isolated DI and 24-ch Relay Output Board

## 48-ch Relay Output Board



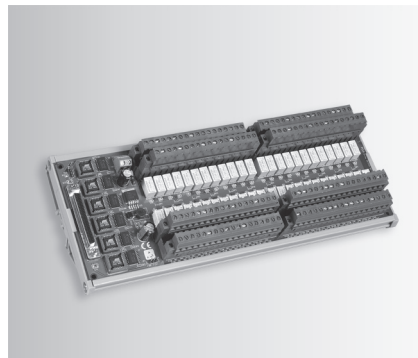
PCLD-8751

CE FCC



PCLD-8761

CE FCC



PCLD-8762

CE FCC

### Features

- 48 optically-isolated digital input channels
- Built-in plug-in screw terminals for easier wiring
- LEDs indicate input logic status
- Input buffered with voltage comparators
- Wet/Dry contact set by DIP switches
- Input logic set by jumper
- Wide input range from 5 to 30 V

### Specifications

#### Digital Input

- **Channels** 48 isolated digital inputs
- **Contact Mode** Wet contact  
Dry contact (set by switch)
- **Isolation Voltage** 3,500 V
- **Logic Modes** Positive Logic  
Negative Logic  
(set by jumper)
- **Signal Voltage** 0 ~ 30 V  
VIH (MIN) : 4 V,  
VIL (MAX) : 1 V

#### General

- **Certification** CE, FCC
- **Connectors** Cable: SCSI-68 pin  
Signals: Plug-in screw terminals (#14 - 24 AWG)
- **Dimensions** 255 x 121 mm  
(10.04" x 4.76")
- **LED Indicators** One for each channel to indicate logic status
- **Mounting** DIN-rail

### Ordering Information

- **PCLD-8751** 48-ch Opto-isolated Digital Input Board

### Features

- Built-in plug-in screw terminals for easier wiring
- LED status indicators for D/I and relay output
- Digital inputs buffered with voltage comparators
- Wet/Dry contact set by DIP switches for D/I
- Wide input range from 5 to 30 V
- INT/EXT Power selection by jumper

### Specifications

#### Digital Input

- **Channels** 24 IDI with LED
- **Contact Mode** Wet contact and dry contact for each IDI (set by switch)
- **Digital Input** 0 ~ 30 V VIH (MIN) : 4 V, VIL (MAX) : 1 V
- **Isolation Voltage** 3,500 V (Isolated DI), 1,500V (Relay)
- **Logic Mode (IDI and Relay are independent)** Positive Logic  
Negative Logic  
(set by jumper)

#### Relay Output

- **Channels** 24 SPDT (Form C)
- **Contact Rating** 30 V<sub>DC</sub> @ 1 A,  
120 V<sub>AC</sub> @ 0.5 A
- **Contact Resistance** 100 mΩ
- **Electrical Endurance** 5 x 10<sup>7</sup> times at 12 V/10 mA
- **Mechanical Endurance** 10<sup>8</sup> times
- **Operation Time** 5 ms Max
- **Release Time** 6 ms Max

#### General

- **Certification** CE, FCC
- **Connectors** Cable: SCSI-68 pin  
Signals: Plug-in screw terminals (#14 - 24 AWG)
- **Dimensions** 285 x 121 mm  
(11.22" x 4.76")
- **Mounting** DIN-rail
- **Power Consumption** +5 V @ < 380 mA +50\*n (mA)  
+12 V @ < 240 mA +70\*n (mA)  
(\*n indicate the number of relays)
- **Power Selection** PCI Bus or External power (7 ~ 30 V) by jumper

### Ordering Information

- **PCLD-8761** 24-ch Opto-isolated DI and 24-ch Relay (SPDT) Output Board

### Features

- Built-in plug-in screw terminals for easier wiring
- LED status indicators for Relay output
- DIN-rail mounting
- Onboard relay driver circuits

### Specifications

#### Relay Output

- **Channels** 48 SPDT (Form C)
- **Contact Rating** 30 V<sub>DC</sub> @ 1 A,  
120 V<sub>AC</sub> @ 0.5 A
- **Contact Resistance** 100 mΩ
- **Electrical Endurance** 5 x 10<sup>7</sup> times at 12 V/10 mA
- **Mechanical Endurance** 10<sup>8</sup> times
- **Operation Time** 5 ms Max
- **Release Time** 6 ms Max

#### General

- **Certification** CE, FCC
- **Connectors** Cable: SCSI-68 pin  
Signals: Plug-in screw terminals (#14 - 24 AWG)
- **Dimensions** 285 x 117 mm  
(11.22" x 4.61")
- **Mounting** DIN-rail
- **Power Input** Unregulated 7 ~ 30 V<sub>DC</sub>
- **Power Consumption** 7 V @ 1.8 A,  
30 V @ 0.45 A  
(External power supply is required)

### Ordering Information

- **PCLD-8762** 48-ch Relay (SPDT) Output Board

## X-ON Electronics

Largest Supplier of Electrical and Electronic Components

*Click to view similar products for [Controllers](#) category:*

*Click to view products by [Advantech](#) manufacturer:*

Other Similar products are found below :

[CS1WCN223](#) [CS1WCN713](#) [CS1WKS001E](#) [61F-11NH](#) [61FGPN8DAC120](#) [61F-GP-NT AC110](#) [61F-GPN-V50-AC110](#) [70177-1011](#) [F03-03](#)  
[HAS B](#) [F03-03 HAS C](#) [F03-31](#) [81513201](#) [81513535](#) [81550401](#) [FT1A-C12RA-W](#) [88981106](#) [H2CAC24A](#) [R88A-CAGA005S](#) [R88A-](#)  
[CRGB003CR-E](#) [R88ARR080100S](#) [R88A-TK01K](#) [DCN1-1](#) [DTB4896VRE](#) [DTB9696CVE](#) [DTB9696LVE](#) [MR-50LF+](#) [E53-AZ01](#) [E53E8C](#)  
[E5CWLQ1TCAC100240](#) [B300LKL21](#) [NE1ASCPU02EIPVER11](#) [NE1SCPU01](#) [NE1SDRM21U](#) [NSCXDC1V3](#) [NSH5-232CW-3M](#)  
[NT20SST122BV1](#) [NV3Q-SW41](#) [NV4W-ATT01](#) [NV-CN001](#) [OAS-160-N](#) [K31S6](#) [K33-L1B](#) [K3TX-AD31A](#) [L595020](#) [SRS2-1](#) [G32X-V2K](#)  
[26546803](#) [26546805](#) [26546831](#) [CJ1W-OD204](#)