

**MNX PCM 200/100 T**



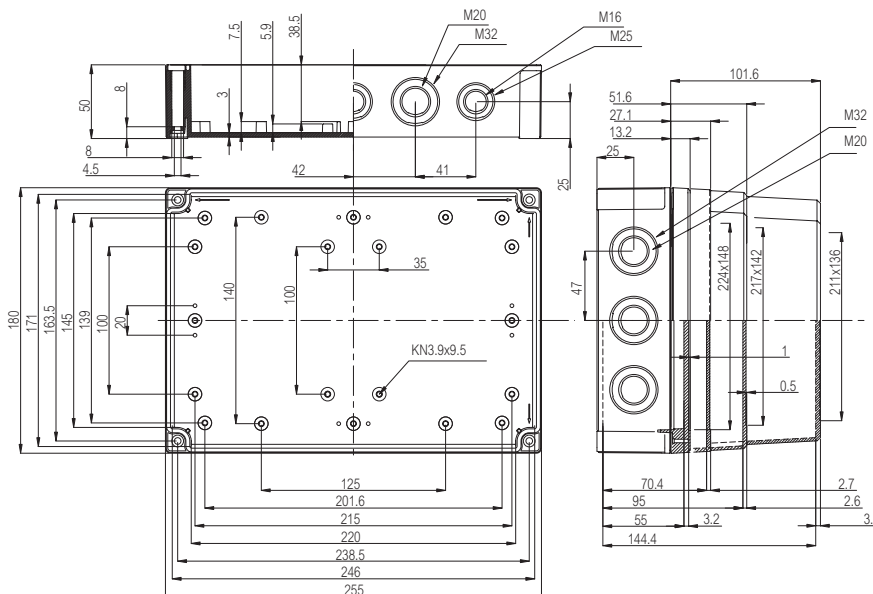
Sample photo

**Order symbol:** PCM 200/100 T  
**Product nbr:** 6016927  
**Description:** Enclosure, PC  
**Remarks:** Smoked transparent cover

**EAN:** 6418074038326  
**EI. number:**  
 Finland: 3421677  
 Electric No. 8212027336  
 Denmark:  
 Electric No. Italy: 7342075  
 Electric No. Sweden: 2535448

Including: Base with metric knock-outs and TPE gasket, screws for mounting plate/DIN-rail and cover with polyamide cover screws.

Dimensions:			Accessories:		
Length	Width	Height			
mm:	255	180	100	MIN 15	DIN-15 Mounting rail
inch:	10.0	7.1	3.9	MIN 20	DIN-15 Mounting rail
<b>Materials:</b>			MIV 15	DIN-35 Mounting rail	
<b>Material:</b>	Polycarbonate		MIV 20	DIN-35 Mounting rail	
<b>Base colour:</b>	RAL 7035 -light grey		FP A 200/180	Front plate (Aluminium)	
<b>Cover screws material:</b>	Polyamide		HFP 180	Front plate hinge series	
<b>Cover colour:</b>	Smoked grey		FP 22046	Wall fastening lug (4 pcs)	
<b>Cover screws colour:</b>	Black		<b>Rating:</b>		
<b>Gasket material:</b>	TPE		Ingress Protection (EN 60529): IP66/IP67		
<b>Temperatures:</b>			Impact Resistance (EN 62262): IK08		
<b>Temperature °C (short term):</b>	-40 ... 120 °C		Electrical insulation: Totally insulated		
<b>Temperature °C (continuous):</b>	-40 ... 80 °C		Halogen free (DIN/VDE 0472, Part 815): 1		
<b>Temperature °F (short term):</b>	-40 ... 250 °F		UV resistance: UL 508		
<b>Temperature °F (continuous):</b>	-40 ... 175 °F		Flammability Rating: UL 746C 5"		
<b>Accessories:</b>			Glow Wire Test (IEC 695-2-1) °C: 960		
MIV 200	Mounting plate (Galvanized steel)		NEMA Class: NEMA 1, 4, 4X, 6, 12, 13		
			<b>Certificates:</b>		
			Germanischer Lloyd (GL)		
			SGS Fimko		
			Gost R		



## X-ON Electronics

Largest Supplier of Electrical and Electronic Components

*Click to view similar products for [Enclosures, Boxes, & Cases](#) category:*

*Click to view products by [Fibox](#) manufacturer:*

Other Similar products are found below :

[CR-425 PAINTED](#) [585-R-WH-PK](#) [M-10-PLATED](#) [60221-01](#) [60566-01-000](#) [HPL-9VB BATT DOOR](#) [M-16-LID-PLATED](#) [M18-PLTD](#) [M-21-LID-PLATED](#) [M-21-PLATED](#) [M-23-PLATED](#) [CU-281-MB](#) [6711GSKT](#) [71884-29-028](#) [LH45-100 Black](#) [7200B](#) [72868-510-000](#) [CNS-0000 Black](#) [72883-510-000](#) [CNS-0101 Black](#) [72906-510-000](#) [CNS-0407 Black](#) [73091-510-000](#) [CNM-0000-BLACK Kit](#) [73092-510-000](#) [CNM-0101 Black](#) [73108-510-000](#) [CNL-0303 Black](#) [73395-510-039](#) [CNS-0006 Bone](#) [74257-510-000](#) [CNL-0004](#) [MDC-1183-PLAIN-ALUM](#) [MDC-1183-PTD](#) [MDC-13104-PLAIN-ALUM](#) [MDC-211 - PAINTED IVORY/BEIGE](#) [MDC-321-PTD](#) [MDC-432-PLAIN-ALUM](#) [MDC-973-PTD](#) [76](#) [77153-01-028](#) [FLX6030](#) [83535-01-508](#) [PS-11296-G](#) [PS-11298-B](#) [116-508](#) [120-407](#) [120-412](#) [120-909](#) [120-455](#) [R272-100-000](#) [120-910](#) [R501-001-010](#) [R508-080-000](#) [R508-160-000](#) [R530-120-000](#) [R530-122-000](#) [R530-200-000](#) [R531-160-000](#) [R531-200-000](#) [R582-080-100](#)