

MNX PCM 200/125 XT



Sample photo

Order symbol: PCM 200/125 XT
Product nbr: 6015927
Description: Enclosure, PC
Remarks: Smoked transparent cover

EAN: 6418074038401
EI. number:
 Finland: 3421628
 Denmark: 8212027378
 Sweden: 2535460
 Norway: 2535542

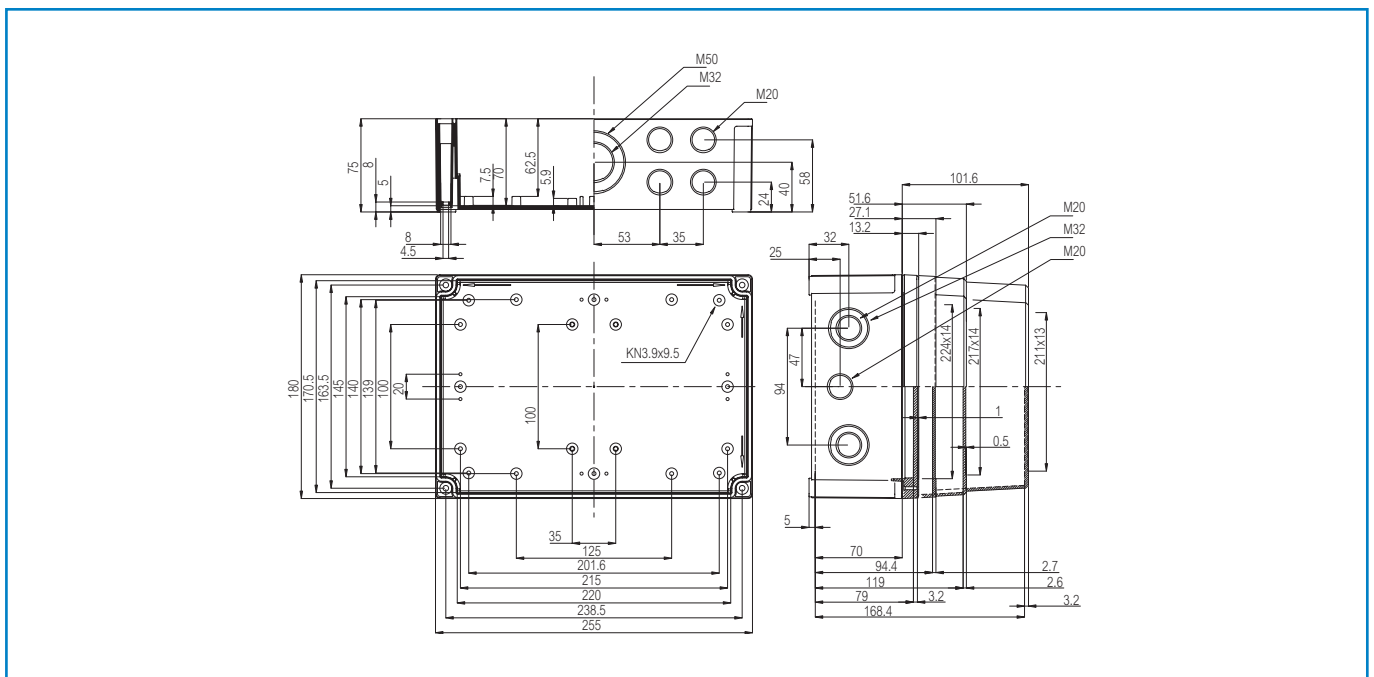
Including: Base with metric knock-outs and PUR gasket, screws for mounting plate/DIN-rail and cover with polyamide cover screws.

| Dimensions: | Length | Width | Height | Rating: |
|--------------|--------|-------|--------|---|
| mm: | 255 | 180 | 125 | Ingress Protection (EN 60529): IP 66/67 |
| inch: | 10.0 | 7.1 | 4.9 | Impact Resistance (EN 62262): IK 08 |

| Materials: | | Electrical insulation: Totally insulated Halogen free (DIN/VDE 0472, Part 815): Yes UV resistance: UL 508 Flammability Rating (UL 746 C 5): UL 746C 5V Glow Wire Test (IEC 695-2-1) °C: 960 NEMA Class: NEMA 1, 4, 4X, 6, 12, 13 |
|-------------------------------|---------------|---|
| Material: | Polycarbonate | |
| Base colour: | RAL 7035 | |
| Cover colour: | Smoked grey | |
| Cover screws material: | Polyamide | |
| Cover screws colour: | Black | |
| Gasket material: | Polyurethane | |

| Temperatures: | | Certificates: Germanischer Lloyd (GL) Det Norske Veritas Fimko Europe EN 62208: 2003 Gost R |
|--------------------|----------------|---|
| Short term: | -40 ... 120 °C | |
| Continuous: | -40 ... 80 °C | |
| Short term: | -40 ... 250 °F | |
| Continuous: | -40 ... 175 °F | |

| Accessories: | |
|--------------|-----------------------------------|
| MIV 200 | Mounting plate (Galvanized steel) |
| MIN 15 | DIN-15 Mounting rail |
| MIN 20 | DIN-15 Mounting rail |
| MIV 15 | DIN-35 Mounting rail |
| MIV 20 | DIN-35 Mounting rail |
| FP A 200/180 | Front plate (Aluminium) |
| HFP 180 | Front plate hinge series |
| FP 22046 | Wall fastening lug (4 pcs) |



X-ON Electronics

Largest Supplier of Electrical and Electronic Components

Click to view similar products for [Enclosures, Boxes, & Cases](#) category:

Click to view products by [Fibox](#) manufacturer:

Other Similar products are found below :

[CR-425 PAINTED](#) [585-R-WH-PK](#) [M-10-PLATED](#) [60221-01](#) [60566-01-000](#) [HPL-9VB BATT DOOR](#) [M-16-LID-PLATED](#) [M18-PLTD](#) [M-21-LID-PLATED](#) [M-21-PLATED](#) [M-23-PLATED](#) [CU-281-MB](#) [6711GSKT](#) [71884-29-028](#) [LH45-100 Black](#) [7200B](#) [72868-510-000](#) [CNS-0000 Black](#) [72883-510-000](#) [CNS-0101 Black](#) [72906-510-000](#) [CNS-0407 Black](#) [73091-510-000](#) [CNM-0000-BLACK Kit](#) [73092-510-000](#) [CNM-0101 Black](#) [73108-510-000](#) [CNL-0303 Black](#) [73395-510-039](#) [CNS-0006 Bone](#) [74257-510-000](#) [CNL-0004](#) [MDC-1183-PLAIN-ALUM](#) [MDC-1183-PTD](#) [MDC-13104-PLAIN-ALUM](#) [MDC-211 - PAINTED IVORY/BEIGE](#) [MDC-321-PTD](#) [MDC-432-PLAIN-ALUM](#) [MDC-973-PTD](#) [76](#) [77153-01-028](#) [FLX6030](#) [83535-01-508](#) [PS-11296-G](#) [PS-11298-B](#) [116-508](#) [120-407](#) [120-412](#) [120-909](#) [120-455](#) [R272-100-000](#) [120-910](#) [R501-001-010](#) [R508-080-000](#) [R508-160-000](#) [R530-120-000](#) [R530-122-000](#) [R530-200-000](#) [R531-160-000](#) [R531-200-000](#) [R582-080-100](#)