

# ENCASED TRANSFORMERS FOR ELECTRIC TOOLS

# PFN



PFN transformers, as separation portable devices, are dedicated for powering electric tools or other similar appliances for constant or intermittent work.

Rated voltage PRI: 230V 50Hz

Rated voltage SEC: 230V

Rated power for intermittent work 33%: P33 - see table below

Rated power for constant work: Pn - see table below

Ambient temperature: ta25°C

Insulation class: II lub II+PE (with the continuity of protection circuit)

Protection grade: IP44

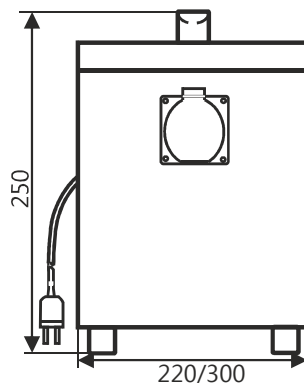
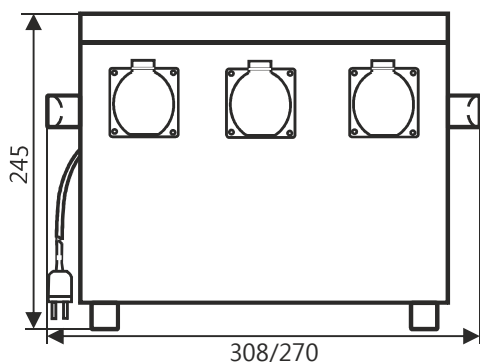
Manufactured in compliance with:

PN-EN 61558-1:2009, PN-EN 61558-2-4:2009

Transformer construction

- solid metal IP44 housing
- 2,2m powering cable with 250/16A\* plug
- output 250V/16A IP44\* socket
- thermal protection fuse on primary winding with a button (fuse current according to table)
- winding thermal insulation class F (155°C)

\*2 or 3 contact plugs and sockets mounted in standard, other performances available on customers' request



Typ	Insulation class	P33 [VA]	I <sub>max</sub> [A]	P <sub>n</sub> [VA]	Weight [kg]	Socket	In [A]	Fuse current [A]
PFN 2400/1500	II	2400	11	1500	20,0	1 SEC	6,5	12
PFN 2400/1500	II	2400	11	1500	20,0	3 SEC	6,5	12
PFN2401/1501	II+PE	2400	11	1500	20,0	1 SEC	6,5	12
PFN2401/1501	II+PE	2400	11	1500	20,0	3 SEC	6,5	12
PFN3500/2300	II	3500	15	2300	26,0	1 SEC	10,0	16
PFN3500/2300	II	3500	15	2300	26,0	3 SEC	10,0	16
PFN3501/2301	II+PE	3500	15	2300	26,0	1 SEC	10,0	16
PFN3501/2301	II+PE	3500	15	2300	26,0	3 SEC	10,0	16
PFN4200/2800	II	4200	18	2700	33,6	3 SEC	12,0	25
PFN4201/2801	II+PE	4200	18	2700	33,6	3 SEC	12,0	25

- Column "Fuse current [A]" shows the maximum current for one socket in one-socket PFN versions

- Column "Fuse current [A]" shows the maximum current for one socket in two- and three-socket PFN versions

but when using two or three sockets at one time, column "Fuse current [A]" shows the sum of all currents from these sockets

As a result of constant development of product construction and changes concerning technical requirements, Breve Tufvassons reserves the right to change the parameters mentioned above.



## X-ON Electronics

Largest Supplier of Electrical and Electronic Components

*Click to view similar products for [Current Transformers](#) category:*

*Click to view products by [Breve Tufvassons](#) manufacturer:*

Other Similar products are found below :

[MP3500](#) [BV UI 302 0156](#) [45029](#) [BV EI 302 2863](#) [BV EI 303 2809](#) [BV EI 303 3060](#) [BV EI 305 2309](#) [BV EI 306 3604](#) [BV EI 481 1295](#) [BV EI 481 1325](#) [BV UI 301 0133](#) [BV UI 302 0144](#) [BV UI 302 0161](#) [BV UI 304 0019](#) [BV UI 304 0129](#) [BV UI 304 0159](#) [BV UI 304 0173](#) [TI-EF16-2X4V-4W](#) [SPCT62/40150/5AVA3CL1](#) [SPCT62/30100/5AVA1CL1](#) [SPCT62/3075/5AVA1CL3](#) [SPCT62/40150/5AVA1.5CL1](#) [SPCT62/40200/5AVA2.5CL0.5](#) [SPCT62/40300/5AVA3CL0.5](#) [CTD-KIT](#) [44013](#) [44017](#) [44021](#) [44098](#) [44101](#) [44134](#) [44171](#) [44174](#) [44178](#) [44180](#) [44248](#) [44250](#) [44278](#) [44339](#) [44340](#) [44373](#) [44375](#) [44376](#) [44378](#) [44379](#) [44436](#) [44831](#) [B82801B0925A200](#) [PA3655NL](#) [PA3828NL](#)