

# VE25 / VE100

## Real-time Production Monitoring Solution



LED



Terminal



25mm/100mm

Network



VE25-304SU  
3 Row, 4 Digit Type  
Digit Size : 25mm



VE100-304SU  
3 Row, 4 Digit Type  
Digit Size : 100mm



VE-IRU  
Infrared Remote Control Unit  
(Sold Separately)

\* Compliant with FCC Title 47 Part 15 Subpart B

- Improve Manufacturing Productivity
- Reduce Down Time for "Kaizen"
- Ideal for Lean Manufacturing
- Real-time Production Monitoring
- Large Digital Displays
- Easy Installation

Our VE Series Real-time Production Monitoring Solution serves as a rugged, factory floor Andon system, with real-time production status indication to alert product performance to workers and supervisors. The VE Series Real-time Production Monitoring Solution is easy to install directly on operator workstations or automated machinery, and the wireless remote control unit enables easy setup. The VE Series Real-time Production Monitoring Solution comes in 2 models (25mm or 100mm character height), and it fully supports the principles of "Kaizen" (continuous improvement) to achieve a "Visual Factory", where clear and easy to understand information is quickly accessible.

### FEATURES

- Available in 25mm and 100mm digit sizes.
- Production-control settings can easily be set-up with the remote control or PC (Sold Separately).
- Bright LED digits for easy viewing.
- External terminal output for adding an extra 3 color LED Signal Tower to add distinctive signaling.

### Easy Setup



Plan

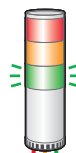


Prescale



Takt-time

### Three-terminal Output



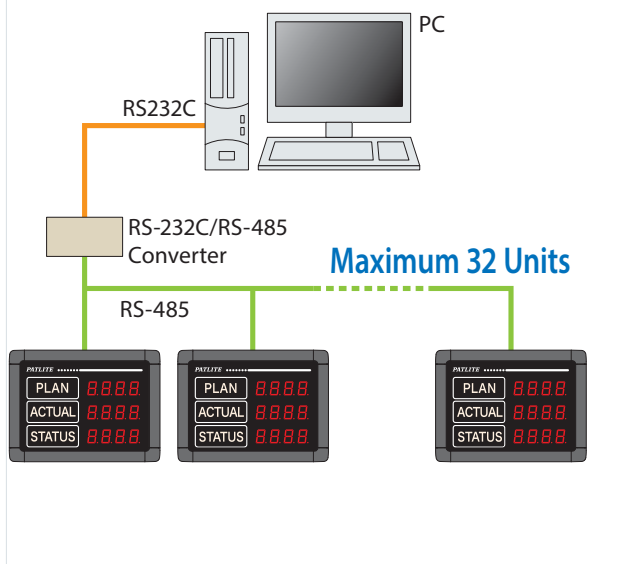
- Progress Loss  
Red Light
- Progress Gain  
Amber Light Flash
- Goal  
Green Light Flash

### Optional Bracket for VE-100 Available



VE-100 Brackets  
(Set of 2, Sold Separately)

## Serial Network Application



## Stand-alone Application

### Output Devices

- Beacons
- Audible Alarms
- Annunciators

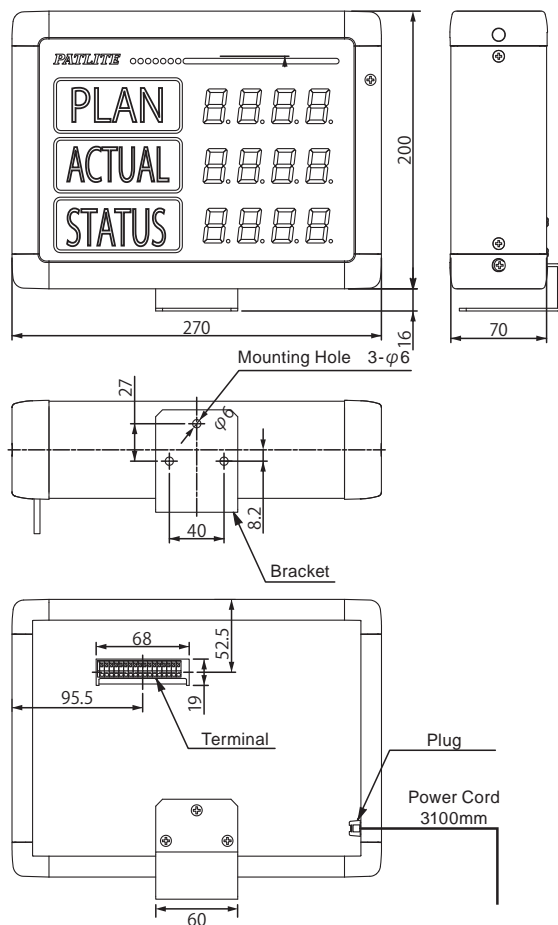
### Input Devices

- Manual Switches
- Micro Switches
- Relays
- RS485 Converters

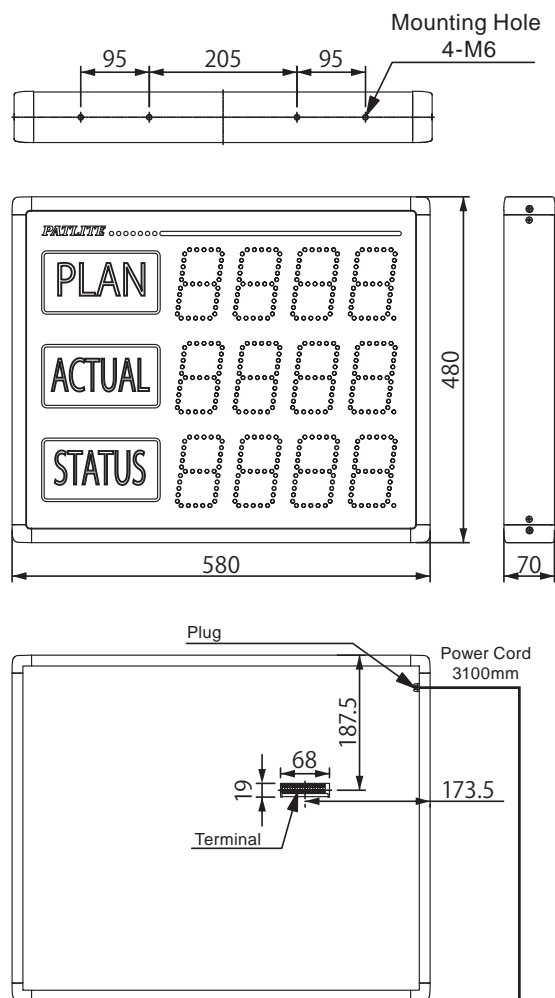


## Dimensions

Model VE25-304SU



Model VE100-304SU



(Unit: mm)

## **X-ON Electronics**

Largest Supplier of Electrical and Electronic Components

*Click to view similar products for [Patlite](#) manufacturer:*

Other Similar products are found below :

[LR6-E-B](#) [LR4-BU](#) [LR5-02PJNW](#) [LR5-102WJBW-Y](#) [LR5-102WJNW-R](#) [NH-WST](#) [VSST-LR6-502LJBW-RYGBC](#) [LA6-5DSNWB-POE](#)  
[MPS-302-RYG](#) [VSST-LR6-302LJNW-RYG](#) [LR5-02WTNU](#) [LR5-102WJNW-G](#) [LR6-02LJNW](#) [VSST-LR6-302LJBW-RYG](#) [VSST-LR6-502LJNW-RYGBC](#) [LR6-02PJNW](#) [LR7-02WTNU](#) [BDV-15JF-K](#) [LR6-302LJNW-RYG](#) [LR6-302PJNW-RYG](#) [LR4-302LJBW-RYG](#) [SZ-50L](#)  
[LR4-02QJNW](#) [LR4-02WJNW](#) [SZK-001U](#) [LR5-E-R](#) [LR6-302LJBW-RYG](#) [CLA3S-24-CD](#) [SZ-020](#) [LU7-E-B](#)