

DO NOT SCALE FROM THIS PRINT

NOTES:

1. REPRESENTS A CRITICAL DIMENSION.
2. MINIMUM PUSHOUT FORCE: 16 OZ FOR TERMINALS, 12 OZ FOR WELD TABS, AND 8 OZ FOR LOCKING CLIPS.
3. MEASURED FROM BEND.
4. MAXIMUM TERMINAL BURR: .003 [.08].
5. MAXIMUM HEIGHT VARIATION BETWEEN ANY TWO PINS: .005 [.13].
6. DUE TO THE HIGH AMOUNT OF INSERTION FORCE NEEDED, THE -LC OPTION IS NOT COMPATIBLE WITH AUTO PLACEMENT. SAMTEC RECOMMENDS MANUAL PLACEMENT FOR ALL ASSEMBLIES WITH THE -LC OPTION.

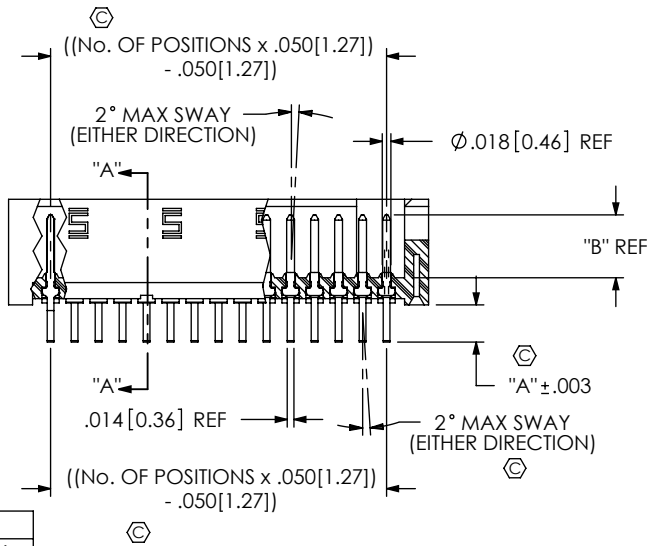
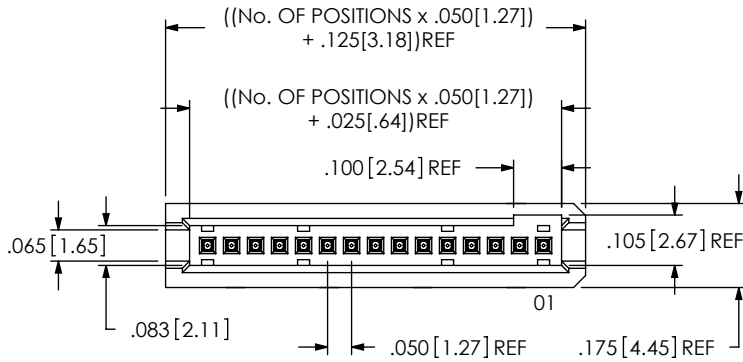


FIG 1  
(TFM-115-01-X-S-XX SHOWN)

POSITION	COPLANARITY
-02 THRU -29	.004 [.10]
-030 THRU -39	.006 [.15]
-40 THRU -50	.008 [.20]

LEAD STYLE	BODY	"A"	"B"	"C"	"E"
-01	TFM-XX-S-01-XX	.078 [1.98]	.131 [3.33]	.428 [10.87]	.303 [7.70]
-02	TFM-XX-S-01-XX	N/A	.131 [3.33]	.428 [10.87]	.231 [5.87]
*-03	TFM-XX-S-01-XX	.111 [3.33]	.139 [3.53]	.645 [16.38]	.356 [9.04]

\* NOT RELEASED FOR PRODUCTION

TFM-1XX-XX-X-S-XX

No OF POSITIONS  
ALL POSITIONS AVAILABLE  
-02 THRU -50

LEAD STYLE

- 01: T-1R16-01-X-2 THROUGH HOLE
- 02: T-1R16-01-X-2 SURFACE MOUNT
- \*-03: T-1R16-10-X THROUGH HOLE

PLATING SPECIFICATIONS

- S: 30μ" SELECTIVE GOLD IN CONTACT AREA, MATTE TIN ON TAIL
- F: 3μ" FLASH GOLD IN CONTACT AREA, MATTE TIN ON TAIL
- G: 30μ" GOLD IN CONTACT AREA, 3μ" GOLD ON TAIL
- L: 15μ" LIGHT GOLD IN CONTACT AREA, MATTE TIN ON TAIL
- H: 50μ" HEAVY GOLD IN CONTACT AREA, 3μ" GOLD ON TAIL
- T: MATTE TIN CONTACT AND TAIL

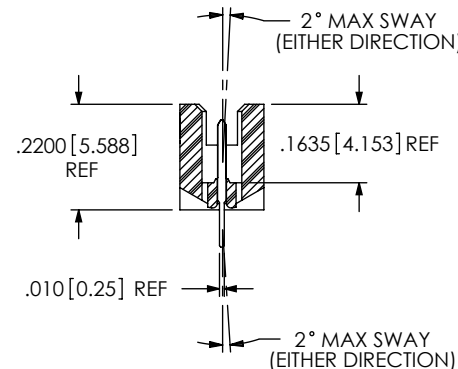
OPTION

- A: ALIGNMENT PIN (USE TFM-XX-S-01-A) (NOT AVAILABLE WITH -WT OPTION) (SEE FIG 5, SHEET 2)
- LC: LOCKING CLIP (USE LC-05-TM) (NOT AVAILABLE WITH -WT OPTION) (SEE FIG 7, SHEET 3) (SEE NOTE 6)
- P: PICK AND PLACE PAD (USE PPP-1.5) (SEE FIG 6, SHEET 2) (NOT AVAILABLE -03, -04 & -05 POSITIONS)
- K: POLYIMIDE FILM (SEE FIG 3, SHEET 2) (USE K-DOT-.217-.313-.005)
- WT: WELD TABS (USE WT-25-07-T) (SEE FIG 4, SHEET 2) (AVAILABLE ON -02 THRU -30 POS ONLY) (NOT AVAILABLE WITH -A OR -LC OPTIONS)
- TR: TAPE & REEL (SEE SHEET 3, TAPE AND REEL VIEW)
- \*\* -SN: SOLDER NAIL (USE WT-27-03) (NOT AVAILABLE WITH -A, -LC, OR -WT OPTIONS) (SEE FIG 8, SHEET 3)

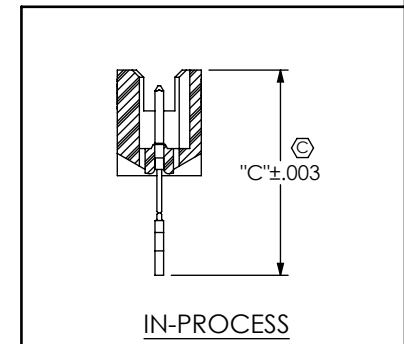
BODY SPECIFICATION

- S: SINGLE ROW (USE TFM-XX-S-XX-XX)

\* NOT RELEASED FOR PRODUCTION  
\*\* NOT TOOLED



SECTION "A"-"A"



UNLESS OTHERWISE SPECIFIED, DIMENSIONS ARE IN INCHES.

TOLERANCES ARE:

- DECIMALS ANGLES
- .XX: ±.01 [.3] 2°
- .XXX: ±.005 [.13]
- .XXXX: ±.0020 [.051]

PROPRIETARY NOTE

THIS DOCUMENT CONTAINS INFORMATION CONFIDENTIAL AND PROPRIETARY TO SAMTEC, INC. AND SHALL NOT BE REPRODUCED OR TRANSFERRED TO OTHER DOCUMENTS OR DISCLOSED TO OTHERS OR USED FOR ANY PURPOSE OTHER THAN THAT WHICH IT WAS OBTAINED WITHOUT THE EXPRESSED WRITTEN CONSENT OF SAMTEC, INC.

MATERIAL: DO NOT SCALE DRAWING SHEET SCALE: 1:0.4  
INSULATOR: LCP, UL 94 V0, COLOR: BLACK  
TERMINAL: PHOSPHOR BRONZE



520 PARK EAST BLVD, NEW ALBANY, IN 47150  
PHONE: 812-944-6733 FAX: 812-948-5047  
e-Mail: info@SAMTEC.com code 55322

DESCRIPTION: .050 C.L. SINGLE ROW SHROUDED TERMINAL STRIP

DWG. NO. TFM-1XX-XX-X-S-XX

BY: D. SCHMELZ 8/21/2008 SHEET 1 OF 3

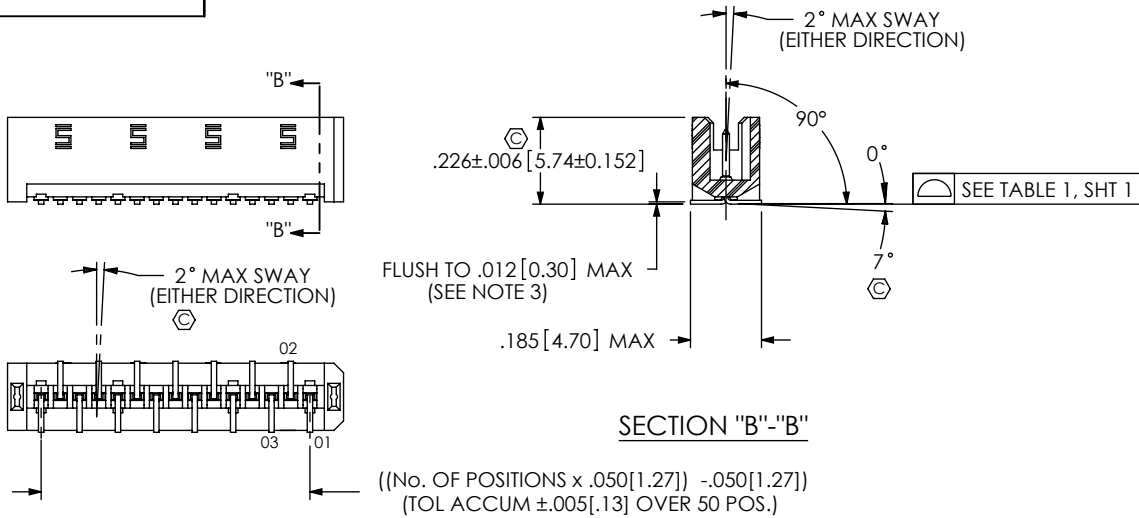


FIG 2  
SURFACE MOUNT  
(TFM-115-02-X-S-XX SHOWN)  
(DIFFERENT AS SHOWN, OTHERWISE SAME AS FIG 1)

NOTE: "R" = OVERALL LENGTH REF  
"S" = ((("R" - .216[5.49]) / 2) ±.020[.51])

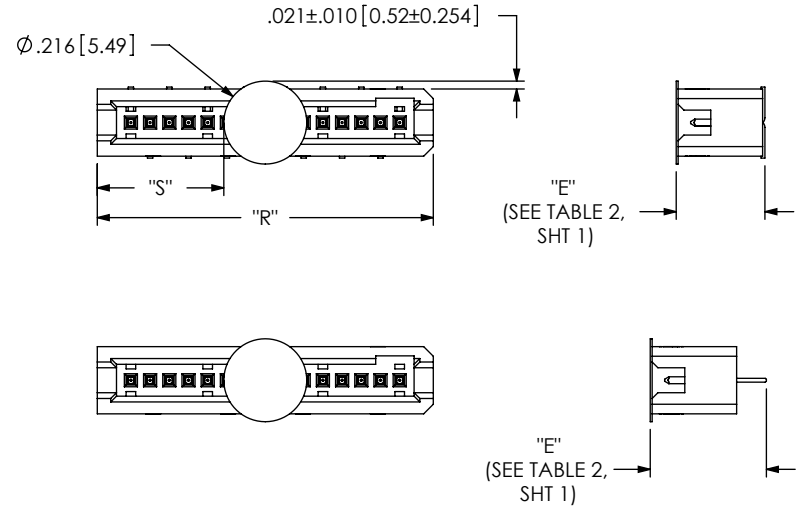


FIG 3  
-K: POLYIMIDE FILM PAD  
(TFM-115-02-X-S-K SHOWN)

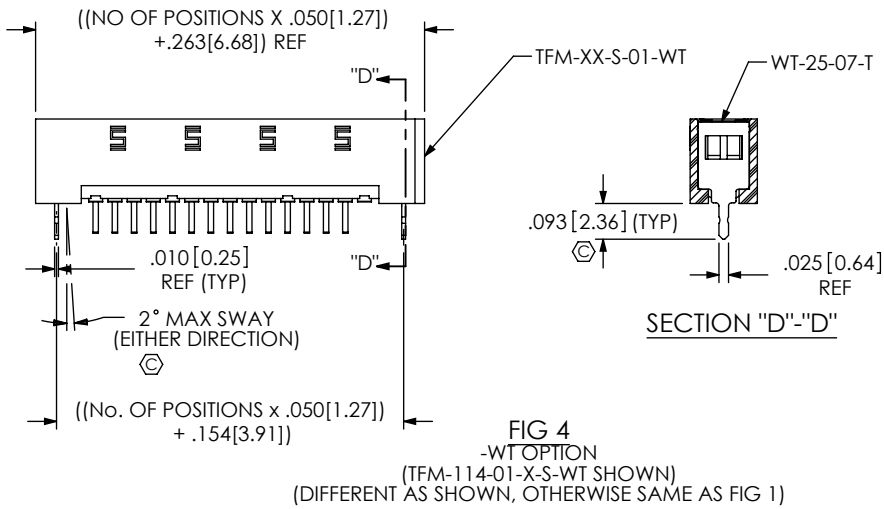


FIG 4  
-WT OPTION  
(TFM-114-01-X-S-WT SHOWN)  
(DIFFERENT AS SHOWN, OTHERWISE SAME AS FIG 1)

NOTE: "M" = (No. OF POSITIONS X .050[1.27]) + .125[3.18] REF  
WITH -WT "M" = (No. OF POSITIONS X .050[1.27]) + .263[6.68] REF  
"P" = ((("M" - .375[9.53]) / 2) ±.020[.51])

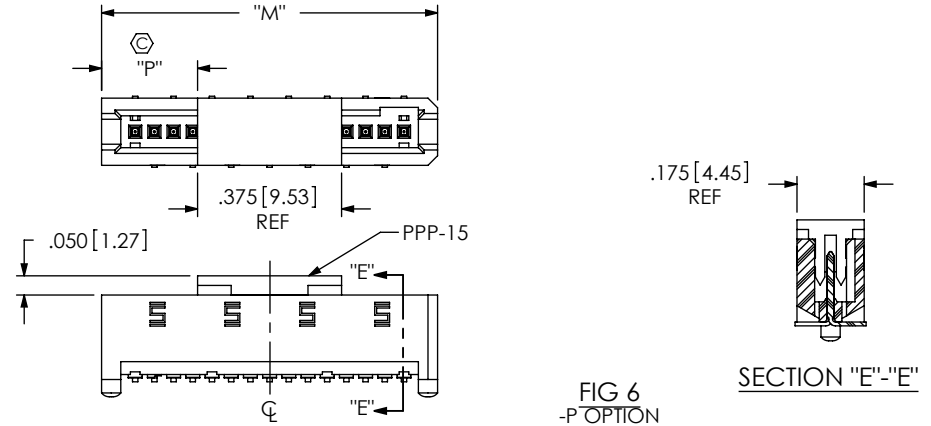


FIG 6  
-P OPTION  
(TFM-115-02-X-S-P SHOWN)  
(DIFFERENT AS SHOWN, OTHERWISE SAME AS FIG 1)  
(PAD TO BE POSITIONED ON CL AS SHOWN)

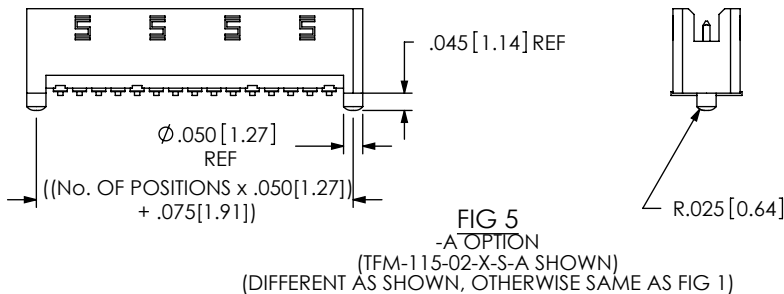


FIG 5  
-A OPTION  
(TFM-115-02-X-S-A SHOWN)  
(DIFFERENT AS SHOWN, OTHERWISE SAME AS FIG 1)

PROPRIETARY NOTE

THIS DOCUMENT CONTAINS INFORMATION CONFIDENTIAL AND PROPRIETARY TO SAMTEC, INC. AND SHALL NOT BE REPRODUCED OR TRANSFERRED TO OTHER DOCUMENTS OR DISCLOSED TO OTHERS OR USED FOR ANY PURPOSE OTHER THAN THAT WHICH IT WAS OBTAINED WITHOUT THE EXPRESSED WRITTEN CONSENT OF SAMTEC, INC.

DO NOT SCALE DRAWING

SHEET SCALE: 2:1

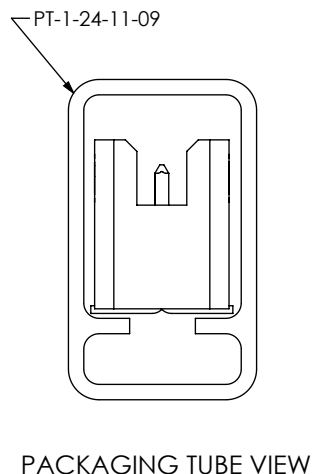
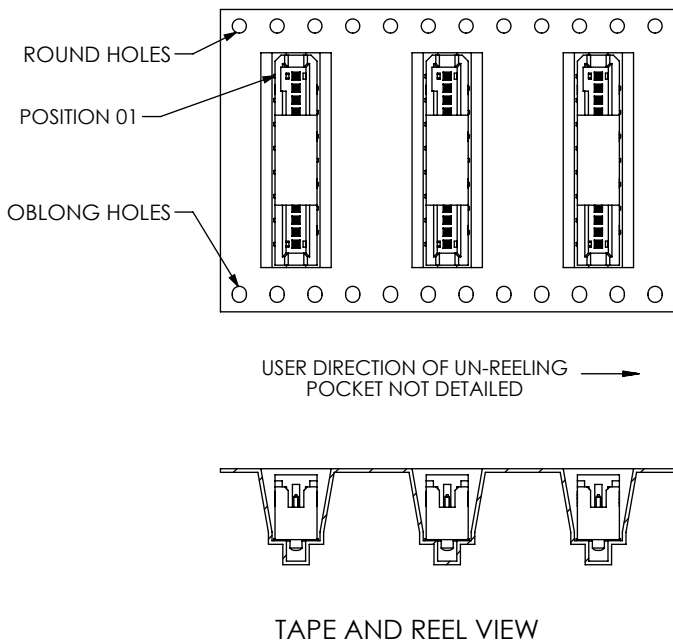
**samtec**

520 PARK EAST BLVD., NEW ALBANY, IN 47150  
PHONE: 812-944-6733 FAX: 812-948-5047  
e-Mail: info@SAMTEC.com code 55322

DESCRIPTION:  
.050 C.L. SINGLE ROW SHROUDED TERMINAL STRIP

DWG. NO.  
**TFM-1XX-XX-X-S-XX**

BY: D. SCHMELZ 8/21/2008 SHEET 2 OF 3



- NOTES:
1. USE PT-1-24-11-09 TUBE AND (2) TP-24 FOR -A, -LC, WT, AND -SN OPTIONS.
  2. USE PT-1-24-03-09 TUBE AND (2) TP-09 FOR -P AND -K OPTIONS.
  3. LOAD TUBE WITH 1ST POSITION IN SAME DIRECTION AS ARROW

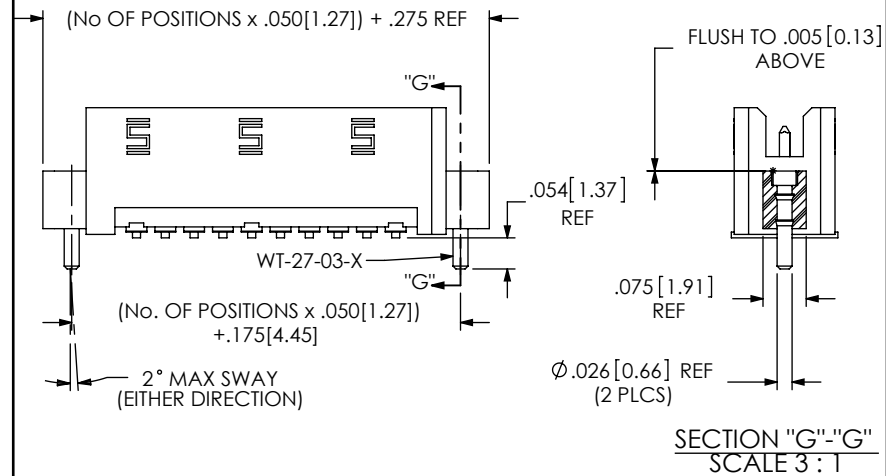


FIG 8  
\*\* -SN OPTION  
(TFM-110-02-X-S-SN SHOWN)  
(DIFFERENT AS SHOWN, OTHERWISE SAME AS FIG 1)

\*\* NOT TOOLED

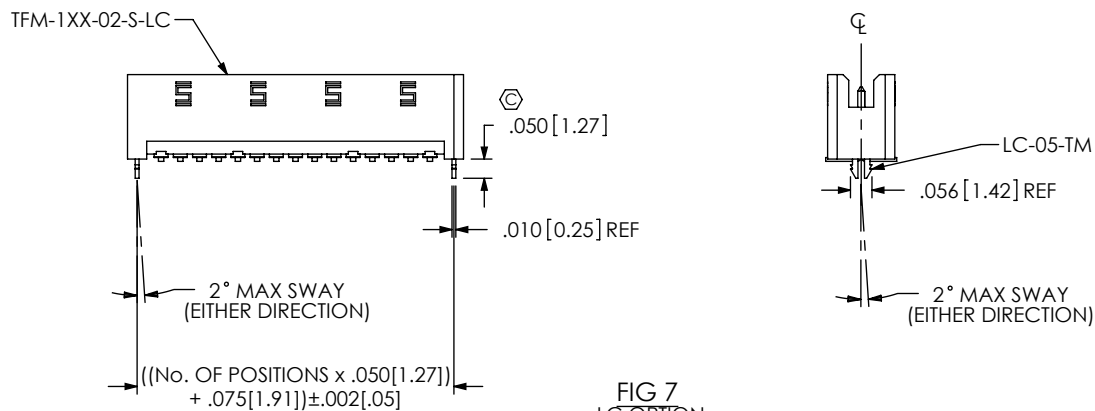


FIG 7  
-LC OPTION  
(TFM-115-01-X-S-LC SHOWN)  
(DIFFERENT AS SHOWN, OTHERWISE SAME AS FIG 2)

\*  
\*  
\*  
\* INSPECT ONLY WHEN APPLICABLE WITH RESPECT TO ASSEMBLY OPTION

PROPRIETARY NOTE  
THIS DOCUMENT CONTAINS INFORMATION CONFIDENTIAL AND PROPRIETARY TO SAMTEC, INC. AND SHALL NOT BE REPRODUCED OR TRANSFERRED TO OTHER DOCUMENTS OR DISCLOSED TO OTHERS OR USED FOR ANY PURPOSE OTHER THAN THAT WHICH IT WAS OBTAINED WITHOUT THE EXPRESSED WRITTEN CONSENT OF SAMTEC, INC.

DO NOT SCALE DRAWING

SHEET SCALE: 2:1

**samtec**

520 PARK EAST BLVD, NEW ALBANY, IN 47150  
PHONE: 812-944-6733 FAX: 812-948-5047  
e-Mail info@SAMTEC.com code 55322

DESCRIPTION:  
.050 C.L. SINGLE ROW SHROUDED TERMINAL STRIP

DWG. NO.  
TFM-1XX-XX-X-S-XX

BY: D. SCHMELZ 8/21/2008 SHEET 3 OF 3

## X-ON Electronics

Largest Supplier of Electrical and Electronic Components

*Click to view similar products for [Headers & Wire Housings](#) category:*

*Click to view products by [Samtec](#) manufacturer:*

Other Similar products are found below :

[95000-104TRLF](#) [10135584-644402LF](#) [DF62W-EP2022PCA](#) [95000-106TRLF](#) [DF62W-2022SCA](#) [DF62W-EP2022PC](#) [2203348](#) [DF62W-2022SC](#) [1084018](#) [1029039](#) [1084017](#) [802-10-012-10-002000](#) [1112640](#) [1112639](#) [000-34000](#) [0009482033](#) [0009507031](#) [57102-S06-03LF](#) [57202-S52-04LF](#) [PCN6-15S-2.5E](#) [0039019024](#) [58102-G61-06LF](#) [582553-1](#) [0009485154](#) [0009508121](#) [0022285053](#) [0050291907](#) [018731A](#) [LY20-4P-DT1-P1E-BR](#) [02.125.8002.8](#) [60101931](#) [60598-1 \(Cut Strip\)](#) [M1625-3R/100](#) [61062-3](#) [61082-181009](#) [636-1427](#) [638009-1](#) [641938-9](#) [641991-4](#) [644168-1](#) [647662-1](#) [65039-019ELF](#) [65817-002LF](#) [65817-015LF](#) [65863-015LF](#) [66207-023LF](#) [67016-026LF](#) [67046-001LF](#) [67095-007LF](#) [67230-005LF](#)