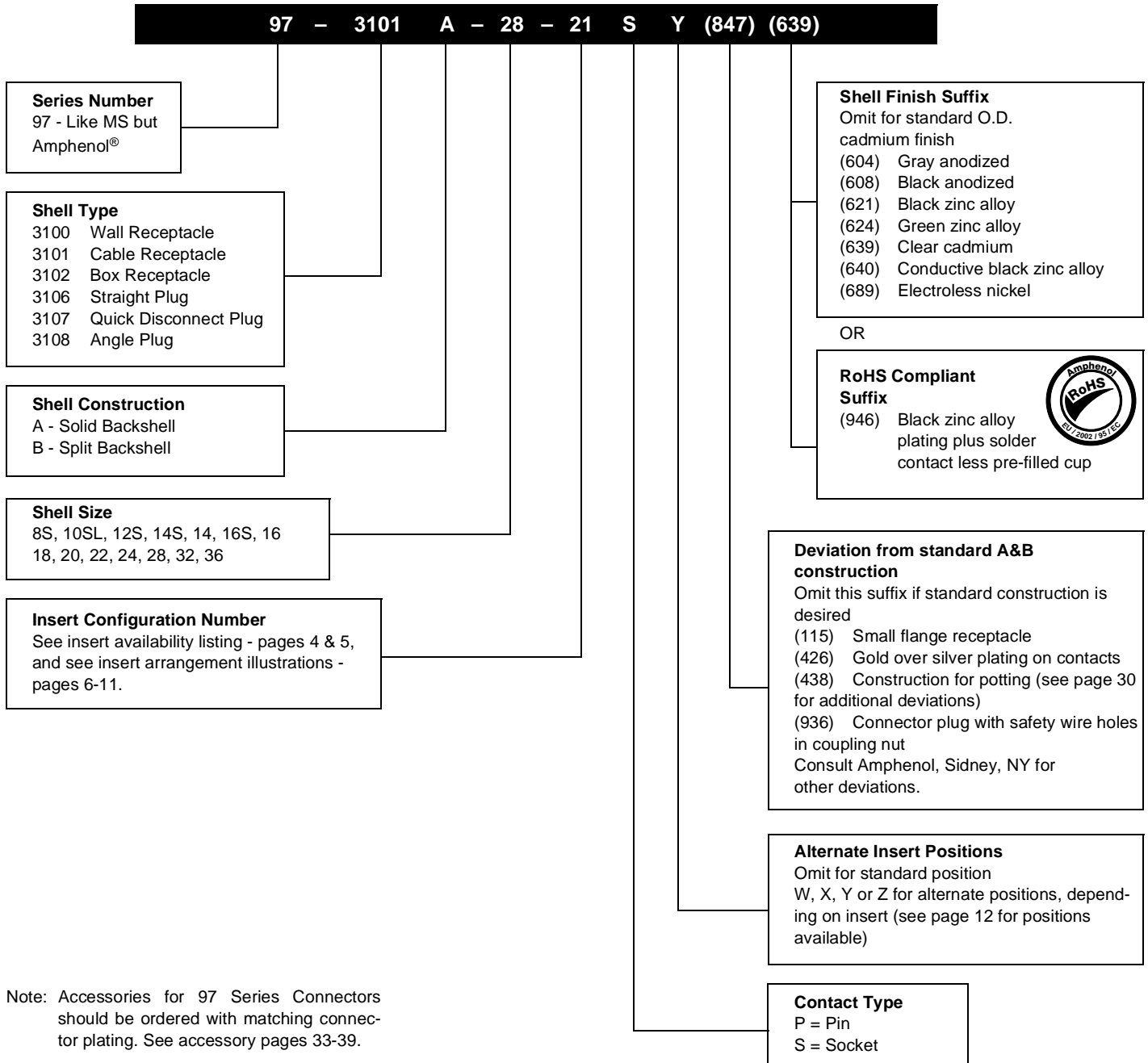


97 series solder type how to order

Example of part number for solder type connectors is given below.

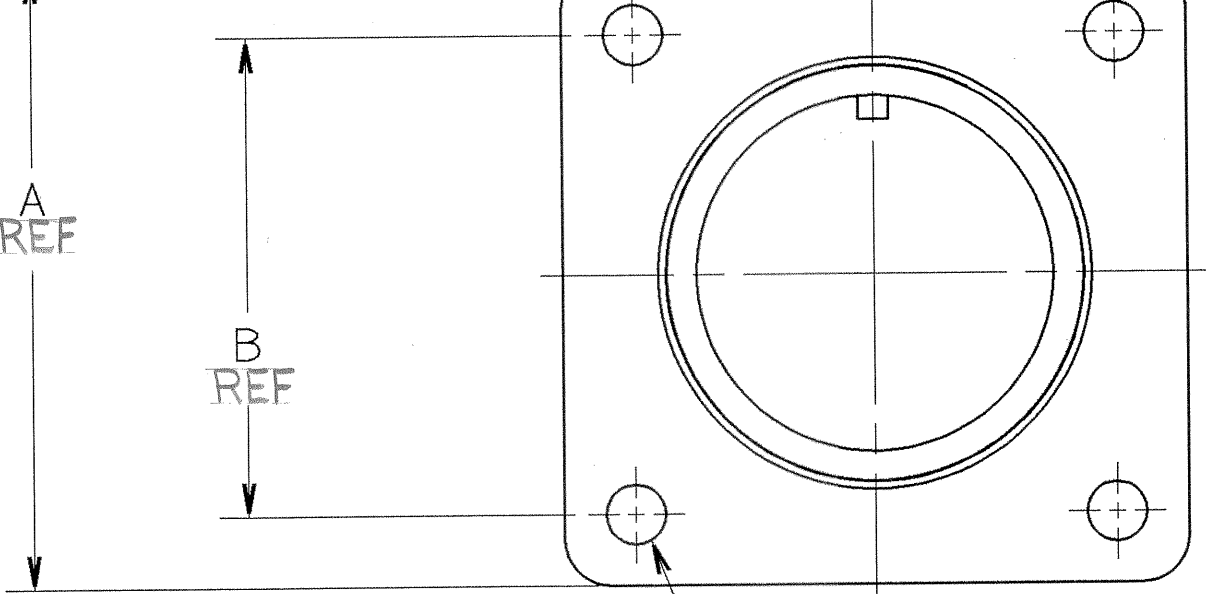


Note: Accessories for 97 Series Connectors should be ordered with matching connector plating. See accessory pages 33-39.

C

A
REF

B
REF



D
4 PLACES

B

A

SEE SHEET 2.

NOTES:

THE USE OF THIS DOCUMENT IS UNLIMITED.
 HOWEVER, DOCUMENTS REFERENCED HEREON
 MAY CONTAIN LIMITED RIGHTS DATA.

N/A

N/A

NEXT ASS

COMPUTER GENE
IMAGED / Nov . 04 2004, 09:26

C

10-820058-()
10-820059-()

-44 -()
-48 -()

-44 -()
-48 -()

NOT AVAIL
NOT AVAIL

TO COMPLETE, ADD APPLICABLE
ARRANGEMENT SUFFIX PER 9-243

B

8. ALTERNATE STAMPING LOCATION WHEN
SPACE DOES NOT PERMIT STAMPING
ON INDICATED SURFACE.

7. IDENTIFY PACKAGE WITH APPLICABLE
MS OR 97- PART NUMBER PER NOTE 6.

6. FOR BENDIX INSERT ARRANGEMENT SUFFIX -1 THROUGH -49, STA
MS ASSEMBLY NUMBER. FOR BENDIX INSERT ARRANGEMENT SUFFI
-50 THROUGH -99, AND -AA THROUGH -BC, STAMP AMPHENOL
ASSEMBLY NUMBER.

5. FOR CONTACT ARRANGEMENT, SEE MIL-STD-1651 AND L-22208-()
THROUGH L-22248-().

4. PACKAGE PER PRODUCTION PROCESS SHEET.

3. UNITS MEET THE APPLICABLE REQUIREMENTS OF MIL-C-5015.

2. SEE WORK ORDER FOR PERMISSIBLE ADDITIONAL OR ALTERNATE
STAMPING.

1. SEE SEPARATE PARTS LIST FOR COMPONENT PART NUMBERS AND
QUANTITIES.

A

NOTES:

THE USE OF THIS DOCUMENT IS UNLIMITED
HEREON MAY CONTAIN LI

COMPUTER GENERA
IMAGED / Nov. 04 2004, 09:26

X-ON Electronics

Largest Supplier of Electrical and Electronic Components

Click to view similar products for [Circular MIL Spec Connector](#) category:

Click to view products by [Amphenol](#) manufacturer:

Other Similar products are found below :

[89075GULPR](#) [0025-262-542](#) [0025-264-3014](#) [58-570121-04S](#) [0134-213-1208](#) [0134-213-2209](#) [0025-258-000](#) [60-042022-07P](#) [60-042022-19P](#)
[60-042022-23P](#) [60-042217-10P](#) [60-042217-11P](#) [0114-201-1278](#) [012-0467-000](#) [602GB06EG24-61SN](#) [0134-201-1207](#) [0134-213-1006](#) [6104-](#)
[207-2302](#) [6104-208-1902](#) [61-168211-04P](#) [61-168617-10P](#) [6131-202-19149P](#) [6131-204-21149P](#) [6131-208-13149P](#) [6131-209-17149P](#) [6131-](#)
[210-11149P](#) [6131-211-19149P](#) [6131-216-19149P](#) [6131-259-21149P](#) [6131-259-23149P](#) [6131-265-17149P](#) [6131-265-19149P](#) [CS3100A18-1P-](#)
[472](#) [CS3100A-36-77P](#) [CS3101A-16-55P](#) [CS3102A-10SL-55P](#) [CS3102A-14S-58P](#) [CS3102A-18-1P116](#) [CS3102A-32-17P](#) [CS3102A32-25S](#)
[CS3102C18-4P-472](#) [CS3106A10SL3S004](#) [CS3106A-18-73S](#) [CS3108A-14S-52S](#) [CS3108A-28-51S](#) [6162-233-1277](#) [6162-324-1231](#)
[M243082296Z](#) [M2884010AC1S1](#) [CT0-24-10SC](#)