



PRO CT Line

Excellence in measurement

The current transformers of Inepro are of top quality with a long lasting life time. We offer a basic range of Solid Core and Split core models from our stock in Holland and an extended range with a production lead time. If you don't find the model you need just ask and we can send you an offer with a production time. Last but not least we offer 5 year full warranty, no questions asked.



Index

- PRO3010 - Solid Core CT U04
- PRO5010 - Solid Core CT U05
- PRO8010 - Solid Core CT U06
- PRO24 - Split Core CT U07
- PRO36 - Split Core CT U08

PRO3010 - Solid Core CT

The PRO CT series offers a range of solid core current transformers. The Inepro solid core current transformers are perfectly suitable for installation in combination with a PRO380 CT smart energy meter. To measure a.c. primary currents and produce a proportional secondary current signal.

PRO2010

- Primary current: 5 to 100A
- 22mm cable aperture
- Supplied with busbar mounting bracket

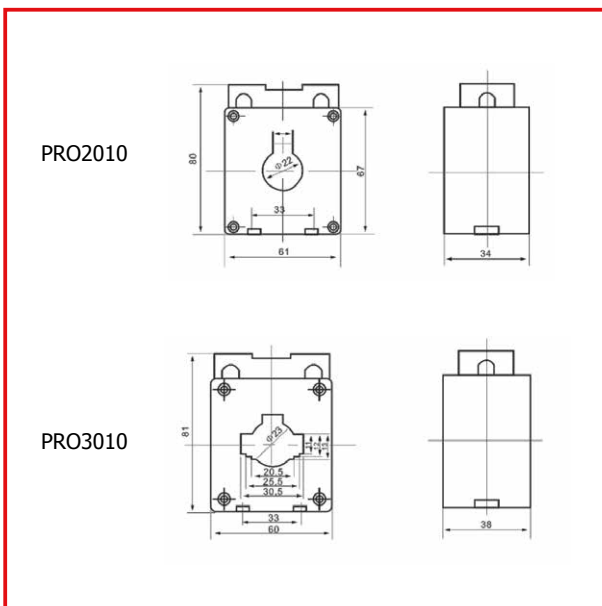
PRO3010

- Primary current: 5 to 300A
- 23mm cable aperture
- Supplied with busbar mounting bracket

All our Current Transformers come with a **5 year** warranty.



Dimensions:



Current Transformer Ratios:

PRO2010

Article No	Ratio	Class	Burden
PRO2010-CT5-5	5/5	0.5	1VA
PRO2010-CT5-30	30/5	0.5	1VA
PRO2010-CT5-50	50/5	0.5	2.5VA
PRO2010-CT5-75	75/5	0.5	2.5VA
PRO2010-CT5-100	100/5	0.5	2.5VA

PRO3010

Article No	Ratio	Class	Burden
PRO3010-CT5-5	5/5	0.5	1VA
PRO3010-CT5-30	30/5	0.5	1VA
7111 PRO3010-CT5-50	50/5	1	2.5VA
7108 PRO3010-CT5-100	100/5	0.5	2.5VA
7101 PRO3010-CT5-150	150/5	0.5	5VA
7102 PRO3010-CT5-200	200/5	0.5	5VA
7103 PRO3010-CT5-250	250/5	0.5	5VA
7110 PRO3010-CT5-300	300/5	0.5	5VA

blue = in stock

Inepro of Holland

PRO5010 - Solid Core CT

The PRO CT series offers a range of solid core current transformers. The Inepro solid core current transformers are perfectly suitable for installation in combination with a PRO380 CT smart energy meter. To measure a.c. primary currents and produce a proportional secondary current signal.

PRO4010

- Primary current: 200 to 600A
- 36mm cable aperture
- Supplied with busbar mounting bracket

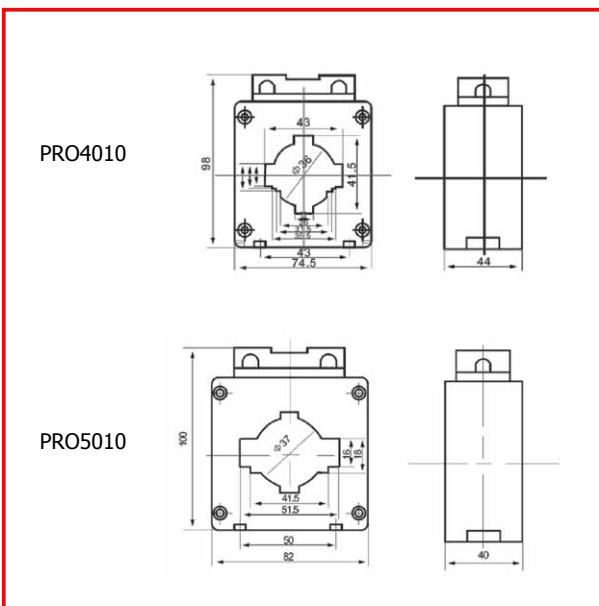
PRO5010

- Primary current: 400 to 600A
- 37mm cable aperture
- Supplied with busbar mounting bracket

All our Current Transformers come with a **5 year** warranty.



Dimensions:



Current Transformer Ratios:

PRO4010

Article No	Ratio	Class	Burden
PRO4010-CT5-200	200/5	0.5	5VA
PRO4010-CT5-300	300/5	0.5	5VA
PRO4010-CT5-400	400/5	0.5	5VA
PRO4010-CT5-600	600/5	0.5	5VA

PRO5010

Article No	Ratio	Class	Burden
7112 PRO5010-CT5-400	400/5	0.5	5VA
7113 PRO5010-CT5-500	500/5	0.5	5VA
7114 PRO5010-CT5-600	600/5	0.5	5VA

blue = in stock

Inepro of Holland

PRO8010 - Solid Core CT

The PRO CT series offers a range of solid core current transformers. The Inepro solid core current transformers are perfectly suitable for installation in combination with a PRO380 CT smart energy meter. To measure a.c. primary currents and produce a proportional secondary current signal.

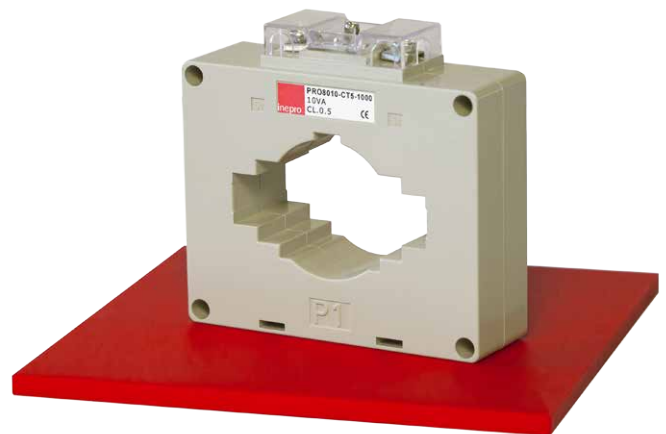
PRO6010

- Primary current: 400 to 800A
- 46mm cable aperture
- Supplied with busbar mounting bracket

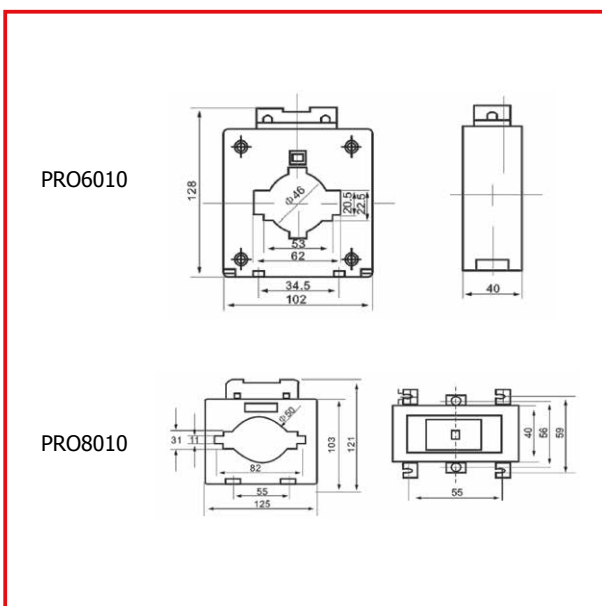
PRO8010

- Primary current: 600 to 1500A
- 50mm cable aperture
- Supplied with busbar mounting bracket

All our Current Transformers come with a **5 year** warranty.



Dimensions:



Current Transformer Ratios:

PRO6010

Article No	Ratio	Class	Burden
PRO6010-CT5-400	400/5	0.5	5VA
PRO6010-CT5-600	600/5	0.5	5VA
PRO6010-CT5-800	800/5	0.5	5VA

PRO8010

Article No	Ratio	Class	Burden
PRO8010-CT5-600	600/5	0.5	5VA
PRO8010-CT5-800	800/5	0.5	5VA
7115 PRO8010-CT5-1000	1000/5	0.5	10VA
PRO8010-CT5-1500	1500/5	0.5	10VA

blue = in stock

Inepro of Holland

PRO24 - Split Core CT

The PRO CT series offers a range of split core current transformers designed for installation into existing plants where removal of busbars/cable lugs prevent installation of standard current transformers. To measure a.c. primary currents and produce a proportional secondary current.

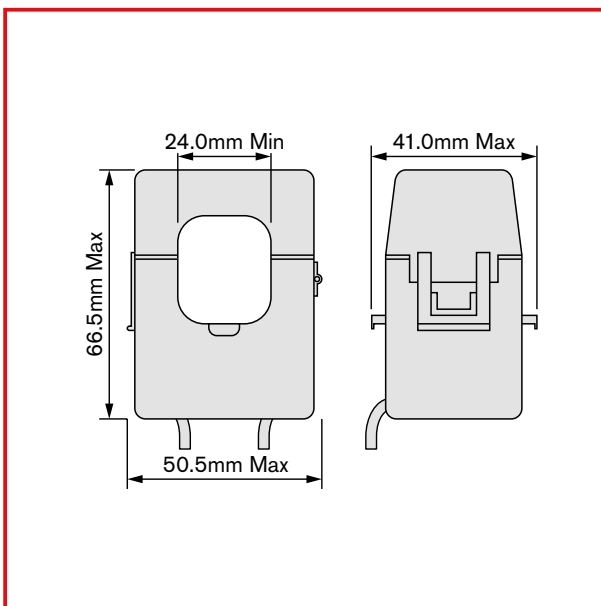
PRO24

- Primary current: 100 to 300A
- 24mm cable aperture
- Integral 1m cable
- Snap together housing

All our Current Transformers come with a **5 year** warranty.



Dimensions:



Current Transformer Ratios:

Article No	Ratio	Class	Burden
7010 PRO24-CT5-100c	100/5	0.5	1.5VA
7019 PRO24-CT5-150c	150/5	0.5	1.5VA
7012 PRO24-CT5-200c	200/5	0.5	1.5VA
7013 PRO24-CT5-250c	250/5	0.5	1.5VA
7014 PRO24-CT5-300c	300/5	0.5	1.5VA

blue = in stock

Inepro of Holland

PRO36 - Split Core CT

The PRO CT series offers a range of split core current transformers designed for installation into existing plants where removal of busbars/ cable lugs prevent installation of standard current transformers. To measure a.c. primary currents and produce a proportional secondary current.

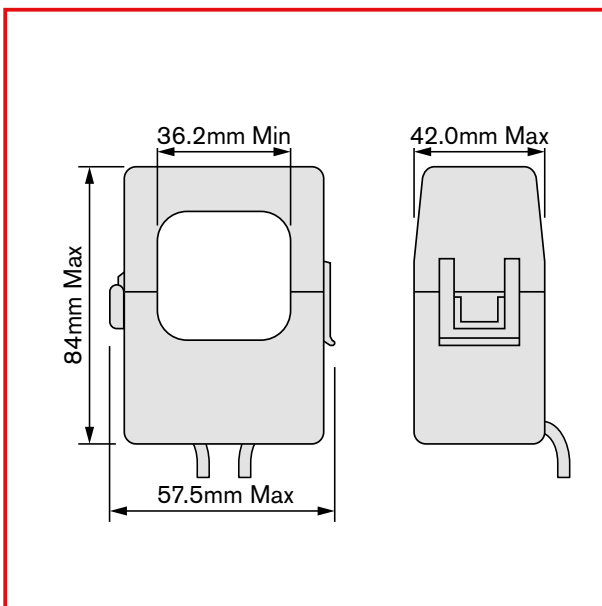
PRO36

- Primary Current : 250 to 600A
- 36mm cable aperture
- Integral 1m cable
- Snap together housing

All our Current Transformers come with a **5 year** warranty.



Dimensions:



Current Transformer Ratios:

Article Number	Ratio	Class	Burden
PRO36-CT5-250c	250/5	0.5	2VA
PRO36-CT5-300c	300/5	0.5	2VA
7017 PRO36-CT5-400c	400/5	0.5	2VA
7018 PRO36-CT5-600c	600/5	0.5	2VA

blue = in stock

Inepro of Holland

X-ON Electronics

Largest Supplier of Electrical and Electronic Components

Click to view similar products for [Current Transformers](#) category:

Click to view products by [INEPRO](#) manufacturer:

Other Similar products are found below :

[MP3500](#) [BV UI 302 0156](#) [45029](#) [BV EI 302 2863](#) [BV EI 303 2809](#) [BV EI 303 3060](#) [BV EI 305 2309](#) [BV EI 306 3604](#) [BV EI 481 1295](#) [BV EI 481 1325](#) [BV UI 301 0133](#) [BV UI 302 0144](#) [BV UI 302 0161](#) [BV UI 304 0019](#) [BV UI 304 0129](#) [BV UI 304 0159](#) [BV UI 304 0173](#) [TI-EF16-2X4V-4W](#) [SPCT62/40150/5AVA3CL1](#) [SPCT62/30100/5AVA1CL1](#) [SPCT62/3075/5AVA1CL3](#) [SPCT62/40150/5AVA1.5CL1](#) [SPCT62/40200/5AVA2.5CL0.5](#) [SPCT62/40300/5AVA3CL0.5](#) [CTD-KIT](#) [44013](#) [44017](#) [44021](#) [44098](#) [44101](#) [44134](#) [44171](#) [44174](#) [44178](#) [44180](#) [44248](#) [44250](#) [44278](#) [44339](#) [44340](#) [44373](#) [44375](#) [44376](#) [44378](#) [44379](#) [44436](#) [44831](#) [B82801B0925A200](#) [PA3655NL](#) [PA3828NL](#)