

D-SUB bus connector - SUBCON-PLUS-PROFIB/90X/PG/M12 - 2902728

Please be informed that the data shown in this PDF Document is generated from our Online Catalog. Please find the complete data in the user's documentation. Our General Terms of Use for Downloads are valid (<http://phoenixcontact.com/download>)

D-SUB plug, 9-pos., pin, with PG-D-SUB socket, assignment: 3, 5, 6, 8; two M12 cable glands (B-coded) under 90°. Bus system: PROFIBUS DP up to 12 Mbps. Termination resistor via separate M12 terminator. Long version; S7-compatible.



Product Features

- Easy startup, plug and play
- Error-free installation, particularly in standard machine production
- Quick connection thanks to M12-SPEEDCON fast locking system
- Low weight
- PROFIBUS
- Specifically for S7 300
- Termination using M12 termination resistor
- Version with programming connection
- Adapter between IP20 and IP67 environments
- Through-contacted shielding from M12 to D-SUB



Key Commercial Data

Packing unit	1 pc
Custom tariff number	85366990
Country of origin	China

Technical data

Dimensions

Width	16 mm
Height	41 mm
Length	93 mm

Ambient conditions

D-SUB bus connector - SUBCON-PLUS-PROFIB/90X/PG/M12 - 2902728

Technical data

Ambient conditions

Ambient temperature (operation)	-30 °C ... 80 °C
Ambient temperature (storage/transport)	-40 °C ... 85 °C
Ambient temperature (assembly)	-20 °C ... 80 °C
Permissible humidity (operation)	10 % ... 75 % (At +25°C, non-condensing)
Altitude	5000 m (For restrictions see manufacturer's declaration)

General

Bus system	PROFIBUS DP
Signal	PROFIBUS
SUBCON fixing screws	4-40 UNC
Tightening torque	0.4 Nm
Housing material	Polyamide
Pin assignment	3, 5, 6, 8
MTTF	6706 Years (SN 29500 standard, temperature 25°C, operating cycle 21 % (5 days a week, 8 hours a day))
	1817 Years (SN 29500 standard, temperature 40 °C, operating cycle 34.25 % (5 days a week, 12 hours a day))
	155 Years (SN 29500 standard, temperature 40°C, operating cycle 100 % (7 days a week, 24 hours a day))

Connection data

Connection	D-SUB connection
Number of positions	9
Connection method	D-SUB connector
Termination resistor	separately via M12 termination resistor
Connection	Programming connection
Number of positions	9
Connection method	D-SUB socket
Connection	M12 plug
Number of positions	5
Connection method	M12 connector, B-coded
Torque	0.4 Nm
Connection	M12 socket
Number of positions	5
Connection method	M12 connector, B-coded
Torque	0.4 Nm

Standards and Regulations

ATEX	# II 3 G Ex nA IIC T4 Gc X
------	----------------------------

D-SUB bus connector - SUBCON-PLUS-PROFIB/90X/PG/M12 - 2902728

Classifications

eCl@ss

eCl@ss 4.0	272607xx
eCl@ss 4.1	27260701
eCl@ss 5.0	27143424
eCl@ss 5.1	27143424
eCl@ss 6.0	27143424
eCl@ss 7.0	27440209
eCl@ss 8.0	27440302

ETIM

ETIM 3.0	EC001132
ETIM 4.0	EC001132
ETIM 5.0	EC001132

UNSPSC

UNSPSC 6.01	30211802
UNSPSC 7.0901	39121402
UNSPSC 11	39121402
UNSPSC 12.01	39121402
UNSPSC 13.2	39121402

Accessories

Accessories

Data cable preassembled

Bus system cable - SAC-2P-MSB/ 0,3-910/FSB SCO - 1518106



Bus system cable, PROFIBUS (12 Mbps), 2-position, PUR halogen-free, violet RAL 4001, shielded, Plug straight M12 SPEEDCON, B-coded, on Socket straight M12 SPEEDCON, B-coded, Cable length: 0.3 m

Bus system cable - SAC-2P-MSB/ 1,0-910/FSB SCO - 1518122



Bus system cable, PROFIBUS (12 Mbps), 2-position, PUR halogen-free, violet RAL 4001, shielded, Plug straight M12 SPEEDCON, B-coded, on Socket straight M12 SPEEDCON, B-coded, Cable length: 1 m

D-SUB bus connector - SUBCON-PLUS-PROFIB/90X/PG/M12 - 2902728

Accessories

Bus system cable - SAC-2P-MSB/ 5,0-910/FSB SCO - 1518148



Bus system cable, PROFIBUS (12 Mbps), 2-position, PUR halogen-free, violet RAL 4001, shielded, Plug straight M12 SPEEDCON, B-coded, on Socket straight M12 SPEEDCON, B-coded, Cable length: 5 m

Bus system cable - SAC-2P-MSB-FSB SCO/910/... - 1538092



Bus system cable, PROFIBUS (12 Mbps), 2-position, PUR halogen-free, violet RAL 4001, shielded, Plug straight M12 SPEEDCON, B-coded, on Socket straight M12 SPEEDCON, B-coded, Cable length: Free input (0.2 ... 40.0 m)

Bus system cable - SAC-2P-FSB SCO/910/... - 1538076



Bus system cable, PROFIBUS (12 Mbps), 2-position, PUR halogen-free, violet RAL 4001, shielded, free cable end, on Socket straight M12 SPEEDCON, B-coded, Cable length: Free input (0.2 ... 40.0 m)

Bus system cable - SAC-2P-MSB/ 2,0-910 SCO - 1518025



Bus system cable, PROFIBUS (12 Mbps), 2-position, PUR halogen-free, violet RAL 4001, shielded, Plug straight M12 SPEEDCON, B-coded, on free cable end, Cable length: 2 m

Bus system cable - SAC-2P-FRB SCO/910/... - 1433249



Bus system cable, PROFIBUS (12 Mbps), 2-position, PUR halogen-free, violet RAL 4001, shielded, free cable end, on Socket angled M12 SPEEDCON, B-coded, Cable length: Free input (0.2 ... 40.0 m)

Data plug

D-SUB bus connector - SUBCON-PLUS-PROFIB/90X/PG/M12 - 2902728

Accessories

D-SUB bus connector - SUBCON-PLUS-PROFIB/90X/M12 - 2902729



D-SUB plug, 9-pos., pin, assignment: 3, 5, 6, 8; two M12 cable glands (B-coded) under 90°. Bus system: PROFIBUS DP up to 12 Mbps. Termination resistor via separate M12 terminator. Long version; S7-compatible.

Terminal resistor

Termination resistor - SAC-5P-M12MS PB TR - 1507803



Terminating resistor PROFIBUS M12

Termination resistor - SAC-5P-M12FS PB TR - 1403911



PROFIBUS M12 termination resistor, female connector version

Termination resistor - PSI-TERMINATOR-PB - 2313944

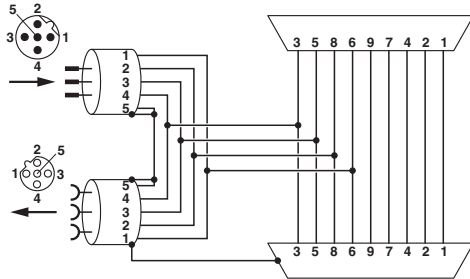


Active termination resistor for PROFIBUS and RS-485 bus systems. Compact design, electrical isolation between supply and data interface, bus termination can be activated, integrated programming interface.

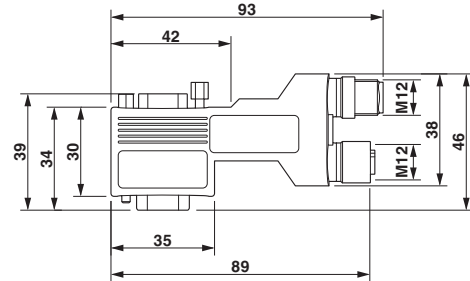
Drawings

D-SUB bus connector - SUBCON-PLUS-PROFIB/90X/PG/M12 - 2902728

Block diagram



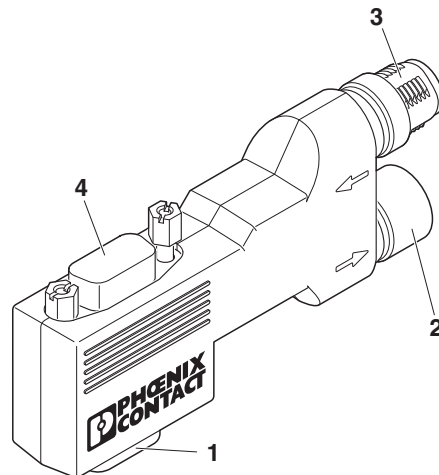
Dimensional drawing



SUBCON-PLUS-PROFIB/...M12 function block diagram

SUBCON-PLUS...90X...M12 dimensional drawing, long 90° version

Schematic diagram

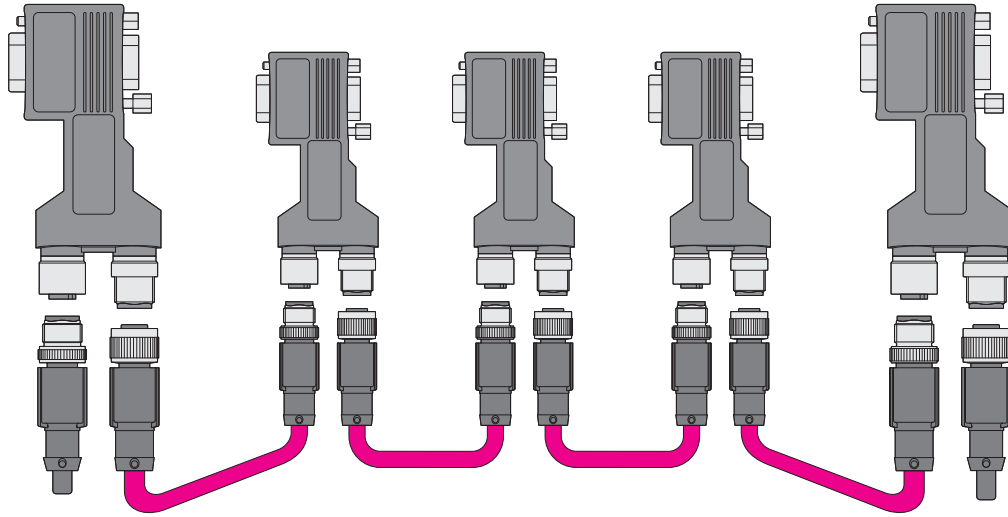


Function elements

- 1 = D-SUB 9
- 2 = Outgoing M12 connection
- 3 = Incoming M12 connection
- 4 = D-SUB PG connection (depending on the version)

D-SUB bus connector - SUBCON-PLUS-PROFIB/90X/PG/M12 - 2902728

Application drawing



Bus/Line structure

X-ON Electronics

Largest Supplier of Electrical and Electronic Components

Click to view similar products for [D-Sub Standard Connectors](#) category:

Click to view products by [Phoenix Contact](#) manufacturer:

Other Similar products are found below :

[DCM37S732N](#) [DAM15P500](#) [DEV09S364GTLF](#) [DEM09P032N](#) [DDM50P732N](#) [DAM15S332N](#) [173109-2218](#) [173109-2466](#) [173109-2436](#)
[173109-2435](#) [56F706-005-LI](#) [56F711-015](#) [015-0341-000](#) [015-0372-008](#) [015-8544-011](#) [017041-0005](#) [020419-0104](#) [012-0515-000](#) [012-9507-](#)
[034](#) [012-9507-114](#) [012-9534-001](#) [020745-0008](#) [609-25P](#) [M24308/2-23Z](#) [M243082310F](#) [M243082410F](#) [M243082411F](#) [M24308/4-21](#)
[CT1A18-11PSA206](#) [CT1N36-5SC](#) [CT2-16S-17PS](#) [CT2-20-15PCAU](#) [CT2-24-12PS](#) [CT2-24-28PSF127A206](#) [CT2-32-9PC](#) [CT6F9767-14-4-](#)
[14S-5PC](#) [CT6FA10SL-4PS](#) [CT7-18-10SC](#) [CT7-18-10SCAU](#) [CT7-18-12SCAU](#) [CT7-18-1PC](#) [CT7-18-1PCAU](#) [CT7-18-21SCAU](#) [M83513/01-](#)
[FC](#) [M83723/76W24619 L/C](#) [M85049/48-3-2F](#) [69001-865](#) [6STD09PCM99B70X](#) [6STD09SCM99B30X](#) [6STD09SCT99S40X](#)