

## D-SUB bus connector - SUBCON-PLUS-PROFIB/AX/M12 - 2902321

Please be informed that the data shown in this PDF Document is generated from our Online Catalog. Please find the complete data in the user's documentation. Our General Terms of Use for Downloads are valid (<http://phoenixcontact.com/download>)



D-SUB plug, 9-pos., pin, assignment: 3, 5, 6, 8; two M12 cable glands (B-coded) under 180° (axial). Bus system: PROFIBUS DP up to 12 Mbps. Termination resistor via separate M12 terminator.

### Product Features

- Quick connection thanks to M12-SPEEDCON fast locking system
- Through-contacted shielding from M12 to D-SUB



### Key Commercial Data

Packing unit	1 pc
Custom tariff number	85366990
Country of origin	China

### Technical data

#### Dimensions

Width	16 mm
Height	75 mm
Length	38 mm

#### Ambient conditions

Ambient temperature (operation)	-30 °C ... 80 °C
Ambient temperature (storage/transport)	-40 °C ... 85 °C
Ambient temperature (assembly)	-20 °C ... 80 °C
Permissible humidity (operation)	10 % ... 75 % (At +25°C, non-condensing)
Altitude	5000 m (For restrictions see manufacturer's declaration)

#### General

Bus system	PROFIBUS DP
Signal	PROFIBUS

## D-SUB bus connector - SUBCON-PLUS-PROFIB/AX/M12 - 2902321

### Technical data

#### General

SUBCON fixing screws	4-40 UNC
Tightening torque	0.4 Nm
Housing material	Polyamide
Pin assignment	3, 5, 6, 8
MTTF	6706 Years (SN 29500 standard, temperature 25°C, operating cycle 21 % (5 days a week, 8 hours a day))
	1817 Years (SN 29500 standard, temperature 40 °C, operating cycle 34.25 % (5 days a week, 12 hours a day))
	155 Years (SN 29500 standard, temperature 40°C, operating cycle 100 % (7 days a week, 24 hours a day))

#### Connection data

Connection	D-SUB connection
Number of positions	9
Connection method	D-SUB connector
Termination resistor	separately via M12 termination resistor
Connection	M12 plug
Number of positions	5
Connection method	M12 connector, B-coded
Torque	0.4 Nm
Connection	M12 socket
Number of positions	5
Connection method	M12 connector, B-coded
Torque	0.4 Nm

#### Standards and Regulations

ATEX	# II 3 G Ex nA IIC T4 Gc X
------	----------------------------

#### Classifications

##### eCl@ss

eCl@ss 4.0	27140816
eCl@ss 4.1	27140816
eCl@ss 5.0	27143424
eCl@ss 5.1	27143424
eCl@ss 6.0	27143424
eCl@ss 7.0	27440209
eCl@ss 8.0	27440302

# D-SUB bus connector - SUBCON-PLUS-PROFIB/AX/M12 - 2902321

## Classifications

### ETIM

ETIM 3.0	EC001132
ETIM 4.0	EC001132
ETIM 5.0	EC001132

### UNSPSC

UNSPSC 6.01	30211802
UNSPSC 7.0901	39121402
UNSPSC 11	39121402
UNSPSC 12.01	39121402
UNSPSC 13.2	39121402

## Accessories

### Accessories

#### Data cable preassembled

##### Bus system cable - SAC-2P-MSB/ 0,3-910/FSB SCO - 1518106



Bus system cable, PROFIBUS (12 Mbps), 2-position, PUR halogen-free, violet RAL 4001, shielded, Plug straight M12 SPEEDCON, B-coded, on Socket straight M12 SPEEDCON, B-coded, Cable length: 0.3 m

##### Bus system cable - SAC-2P-MSB/ 1,0-910/FSB SCO - 1518122



Bus system cable, PROFIBUS (12 Mbps), 2-position, PUR halogen-free, violet RAL 4001, shielded, Plug straight M12 SPEEDCON, B-coded, on Socket straight M12 SPEEDCON, B-coded, Cable length: 1 m

##### Bus system cable - SAC-2P-MSB/ 5,0-910/FSB SCO - 1518148



Bus system cable, PROFIBUS (12 Mbps), 2-position, PUR halogen-free, violet RAL 4001, shielded, Plug straight M12 SPEEDCON, B-coded, on Socket straight M12 SPEEDCON, B-coded, Cable length: 5 m

## D-SUB bus connector - SUBCON-PLUS-PROFIB/AX/M12 - 2902321

### Accessories

#### Bus system cable - SAC-2P-FSB SCO/910/... - 1538076



Bus system cable, PROFIBUS (12 Mbps), 2-position, PUR halogen-free, violet RAL 4001, shielded, free cable end, on Socket straight M12 SPEEDCON, B-coded, Cable length: Free input (0.2 ... 40.0 m)

#### Bus system cable - SAC-2P-MSB-FSB SCO/910/... - 1538092



Bus system cable, PROFIBUS (12 Mbps), 2-position, PUR halogen-free, violet RAL 4001, shielded, Plug straight M12 SPEEDCON, B-coded, on Socket straight M12 SPEEDCON, B-coded, Cable length: Free input (0.2 ... 40.0 m)

#### Bus system cable - SAC-2P-MSB/ 2,0-910 SCO - 1518025



Bus system cable, PROFIBUS (12 Mbps), 2-position, PUR halogen-free, violet RAL 4001, shielded, Plug straight M12 SPEEDCON, B-coded, on free cable end, Cable length: 2 m

#### Bus system cable - SAC-2P-FRB SCO/910/... - 1433249



Bus system cable, PROFIBUS (12 Mbps), 2-position, PUR halogen-free, violet RAL 4001, shielded, free cable end, on Socket angled M12 SPEEDCON, B-coded, Cable length: Free input (0.2 ... 40.0 m)

### Data plug

#### D-SUB bus connector - SUBCON-PLUS-PROFIB/90X/PG/M12 - 2902728



D-SUB plug, 9-pos., pin, with PG-D-SUB socket, assignment: 3, 5, 6, 8; two M12 cable glands (B-coded) under 90°. Bus system: PROFIBUS DP up to 12 Mbps. Termination resistor via separate M12 terminator. Long version; S7-compatible.

## D-SUB bus connector - SUBCON-PLUS-PROFIB/AX/M12 - 2902321

### Accessories

D-SUB bus connector - SUBCON-PLUS-PROFIB/90/PG/M12 - 2902317



D-SUB plug, 9-pos., pin, with PG-D-SUB socket, assignment: 3, 5, 6, 8; two M12 cable glands (B-coded) under 90°. Bus system: PROFIBUS DP up to 12 Mbps. Termination resistor via separate M12 terminator.

D-SUB bus connector - SUBCON-PLUS-PROFIB/35/PG/M12 - 2902319



D-SUB plug, 9-pos., pin, with PG-D-SUB socket, assignment: 3, 5, 6, 8; two M12 cable glands (B-coded) under 35°. Bus system: PROFIBUS DP up to 12 Mbps. Termination resistor via separate M12 terminator.

### Screwdriver tools

Philips screwdriver - SF-PH 0-60 - 1212558



Screwdriver, PH crosshead, size: PH 0 x 60, 2-component grip, with non-slip grip

### Terminal resistor

Termination resistor - SAC-5P-M12MS PB TR - 1507803



Terminating resistor PROFIBUS M12

Termination resistor - SAC-5P-M12FS PB TR - 1403911



PROFIBUS M12 termination resistor, female connector version

# D-SUB bus connector - SUBCON-PLUS-PROFIB/AX/M12 - 2902321

## Accessories

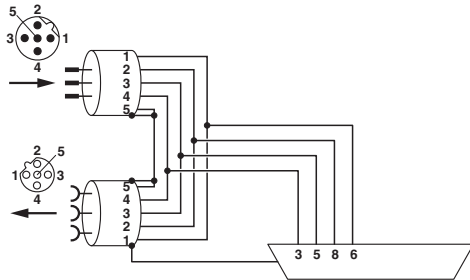
Termination resistor - PSI-TERMINATOR-PB - 2313944



Active termination resistor for PROFIBUS and RS-485 bus systems. Compact design, electrical isolation between supply and data interface, bus termination can be activated, integrated programming interface.

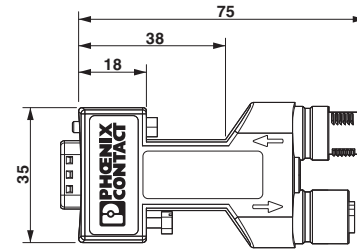
## Drawings

Block diagram



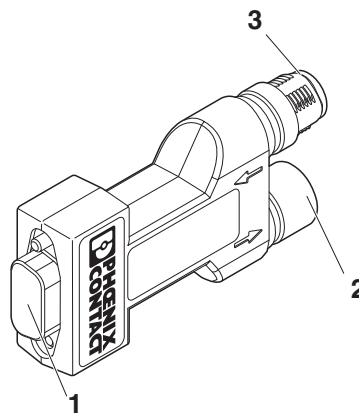
SUBCON-PLUS-PROFIB/...M12 function block diagram

Dimensional drawing



SUBCON-PLUS...AX...M12 dimensional drawing, axial (180°) version

Schematic diagram



Function elements

1 = D-SUB 9

2 = Outgoing M12 connection

## D-SUB bus connector - SUBCON-PLUS-PROFIB/AX/M12 - 2902321

3 = Incoming M12 connection

4 = D-SUB PG connection (depending on the version)

---

Phoenix Contact 2016 © - all rights reserved  
<http://www.phoenixcontact.com>

## X-ON Electronics

Largest Supplier of Electrical and Electronic Components

*Click to view similar products for [D-Sub Standard Connectors](#) category:*

*Click to view products by [Phoenix Contact](#) manufacturer:*

Other Similar products are found below :

[DCM37S732N](#) [DAM15P500](#) [DEV09S364GTLF](#) [DEM09P032N](#) [DDM50P732N](#) [DAM15S332N](#) [173109-2218](#) [173109-2466](#) [173109-2436](#)  
[173109-2435](#) [56F706-005-LI](#) [56F711-015](#) [015-0341-000](#) [015-0372-008](#) [015-8544-011](#) [017041-0005](#) [020419-0104](#) [012-0515-000](#) [012-9507-](#)  
[034](#) [012-9507-114](#) [012-9534-001](#) [020745-0008](#) [609-25P](#) [M24308/2-23Z](#) [M243082310F](#) [M243082410F](#) [M243082411F](#) [M24308/4-21](#)  
[CT1A18-11PSA206](#) [CT1N36-5SC](#) [CT2-16S-17PS](#) [CT2-20-15PCAU](#) [CT2-24-12PS](#) [CT2-24-28PSF127A206](#) [CT2-32-9PC](#) [CT6F9767-14-4-](#)  
[14S-5PC](#) [CT6FA10SL-4PS](#) [CT7-18-10SC](#) [CT7-18-10SCAU](#) [CT7-18-12SCAU](#) [CT7-18-1PC](#) [CT7-18-1PCAU](#) [CT7-18-21SCAU](#) [M83513/01-](#)  
[FC](#) [M83723/76W24619 L/C](#) [M85049/48-3-2F](#) [69001-865](#) [6STD09PCM99B70X](#) [6STD09SCM99B30X](#) [6STD09SCT99S40X](#)