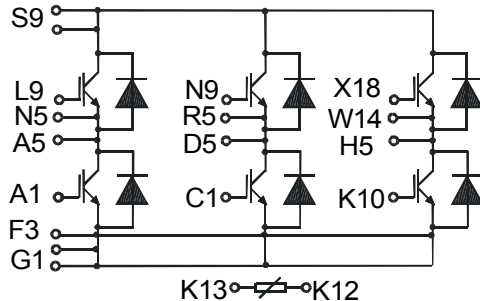


## IGBT Module

## PSII 6/12\*

Preliminary Data Sheet



$$I_{C25} = 6 \text{ A}$$

$$V_{CES} = 1200 \text{ V}$$

$$V_{CE(sat)typ.} = 3.9 \text{ V}$$



PSII 6/12\*

\*NTC optional

### IGBT

Symbol	Conditions	Maximum Ratings	
$V_{CES}$	$T_{VJ} = 25^{\circ}\text{C to } 150^{\circ}\text{C}$	1200	V
$V_{GES}$		$\pm 20$	V
$I_{C25}$	$T_C = 25^{\circ}\text{C}$	6	A
$I_{C80}$	$T_C = 80^{\circ}\text{C}$	4.1	A
$I_{CM}$ $V_{CEK}$	$V_{GE} = 15/0 \text{ V}; R_G = 89 \Omega; T_{VJ} = 125^{\circ}\text{C}$ RBSOA, Clamped inductive load; $L = 100 \mu\text{H}$	9.6	A
$t_{SC}$ (SCSOA)		$V_{CE} = V_{CES}; V_{GE} = 15/0 \text{ V}; R_G = 89 \Omega; T_{VJ} = 125^{\circ}\text{C}$ non-repetitive	10
$P_{tot}$	$T_C = 25^{\circ}\text{C}$	40	W

### Features

- NPT IGBT's
  - positive temperature coefficient of saturation voltage
  - fast switching
- FRED diodes
  - fast reverse recovery
  - low forward voltage
- Industry Standard Package
  - solderable pins for PCB mounting
  - isolated DCB ceramic base plate
- UL registered, E 148688

### Applications

- AC drives
- power supplies with power factor correction

### Advantages

- Easy to mount with two screws
- Space and weight savings
- Improved temperature and power cycling capability
- High power density
- Small and light weight

Symbol	Conditions	Characteristic Values ( $T_{VJ} = 25^{\circ}\text{C}$ , unless otherwise specified)			
		min.	typ.	max.	
$V_{CE(sat)}$	$I_C = 4 \text{ A}; V_{GE} = 15 \text{ V}; T_{VJ} = 25^{\circ}\text{C}$ $T_{VJ} = 125^{\circ}\text{C}$		3.9 4.6	V V	
$V_{GE(th)}$	$I_C = 0.1 \text{ mA}; V_{GE} = V_{CE}$	3		5 V	
$I_{CES}$	$V_{CE} = V_{CES}; V_{GE} = 0 \text{ V}; T_{VJ} = 25^{\circ}\text{C}$ $V_{CE} = 960 \text{ V}; V_{GE} = 0 \text{ V}; T_{VJ} = 125^{\circ}\text{C}$		0.5	0.1 mA mA	
$I_{GES}$	$V_{CE} = 0 \text{ V}; V_{GE} = \pm 20 \text{ V}$			100 nA	
$t_{d(on)}$ $t_r$ $t_{d(off)}$ $t_f$ $E_{on}$ $E_{off}$	Inductive load, $T_{VJ} = 125^{\circ}\text{C}$ $V_{CE} = 600 \text{ V}; I_C = 4 \text{ A}$ $V_{GE} = 15/0 \text{ V}; R_G = 89 \Omega$		30 20 290 90	ns ns ns ns	
			0.4 0.2	mJ mJ	
$C_{ies}$		$V_{CE} = 25 \text{ V}; V_{GE} = 0 \text{ V}; f = 1 \text{ MHz}$		205	pF
$Q_{Gon}$		$V_{CE} = 960 \text{ V}; V_{GE} = 15 \text{ V}; I_C = 2 \text{ A}$		11	nC
$R_{thJC}$		(per IGBT)			3.1 K/W
$R_{thJH}$		(per IGBT) with heatsink compound	6.2		K/W

**Caution:** These devices are sensitive to electrostatic discharge. Users should observe proper ESD handling precautions.

### Diodes

Symbol	Conditions	Maximum Ratings	
$I_{F25}$	$T_C = 25^\circ\text{C}$	12	A
$I_{F80}$	$T_C = 80^\circ\text{C}$	8	A

Symbol	Conditions	Characteristic Values		
		min.	typ.	max.
$V_F$	$I_F = 4\text{ A}; T_{VJ} = 25^\circ\text{C}$ $T_{VJ} = 125^\circ\text{C}$	2.4	2.5	V
$I_{RM}$ $t_{rr}$	$I_F = \dots\text{ A}; di_F/dt = \dots\text{ A}/\mu\text{s}; T_{VJ} = 125^\circ\text{C}$ $V_R = 600\text{ V}; V_{GE} = 0\text{ V}$	tbd	tbd	A ns
$R_{thJC}$ $R_{thJH}$	(per diode) (per diode) with heatsink compound	7.6		3.8 K/W K/W

### Temperature Sensor NTC

Symbol	Conditions	Characteristic Values		
		min.	typ.	max.
$R_{25}$ $B_{25/50}$	$T = 25^\circ\text{C}$	4.75	5.0	5.25 kΩ K

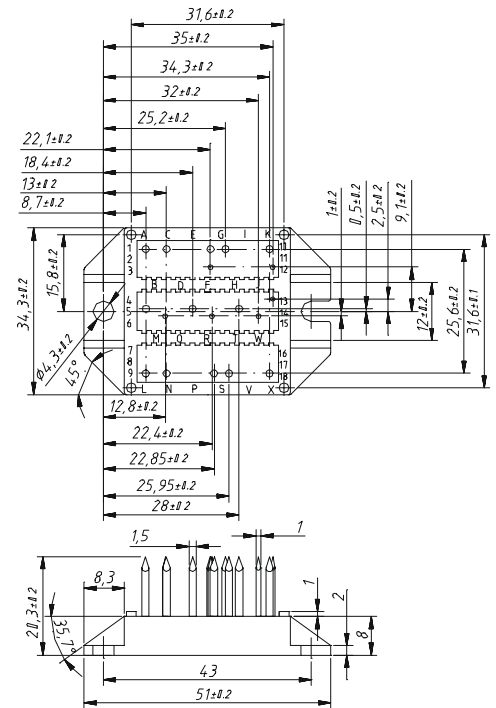
### Component

Symbol	Conditions	Maximum Ratings	
$T_{VJ}$ $T_{stg}$		-40...+150	$^\circ\text{C}$ $^\circ\text{C}$
$V_{ISOL}$	$I_{ISOL} \leq 1\text{ mA}; 50/60\text{ Hz}$	3000	V~
$M_d$	Mounting torque (M4)	1.5 - 2.0	Nm lb.in.
$a$	Max. allowable acceleration	50	$\text{m/s}^2$

Symbol	Conditions	Characteristic Values		
		min.	typ.	max.
$d_s$ $d_A$	Creepage distance on surface (Pin to heatsink) Strike distance in air (Pin to heatsink)	11.2		mm mm
Weight		24		g

### Package style and outline

Dimensions in mm (1mm = 0.0394")



# X-ON Electronics

Largest Supplier of Electrical and Electronic Components

*Click to view similar products for [IGBT Modules](#) category:*

*Click to view products by [Powersem](#) manufacturer:*

Other Similar products are found below :

[F3L100R07W2E3\\_B11](#) [F3L15R12W2H3\\_B27](#) [F3L400R07ME4\\_B22](#) [F3L400R12PT4\\_B26](#) [F4-100R12KS4](#) [F4-50R07W2H3\\_B51](#) [F4-75R12KS4\\_B11](#) [FB15R06W1E3](#) [FB20R06W1E3\\_B11](#) [FD1000R33HE3-K](#) [FD200R12KE3](#) [FD300R06KE3](#) [FD300R12KE3](#) [FD300R12KS4\\_B5](#) [FD400R12KE3](#) [FD400R33KF2C-K](#) [FD401R17KF6C\\_B2](#) [FD-DF80R12W1H3\\_B52](#) [FF100R12KS4](#) [FF1200R17KE3\\_B2](#) [FF150R12KE3G](#) [FF200R06KE3](#) [FF200R06YE3](#) [FF200R12KT3](#) [FF200R12KT3\\_E](#) [FF200R12KT4](#) [FF200R17KE3](#) [FF300R06KE3\\_B2](#) [FF300R12KE4\\_E](#) [FF300R12KS4HOSA1](#) [FF300R12ME4\\_B11](#) [FF300R12MS4](#) [FF300R17ME4](#) [FF450R12ME4P](#) [FF450R17IE4](#) [FF600R12IE4V](#) [FF600R12IP4V](#) [FF800R17KE3](#) [FF800R17KP4\\_B2](#) [FF900R12IE4V](#) [MIXA30W1200TED](#) [FP06R12W1T4\\_B3](#) [FP100R07N3E4](#) [FP100R07N3E4\\_B11](#) [FP10R06W1E3\\_B11](#) [FP10R12W1T4\\_B11](#) [FP10R12YT3](#) [FP10R12YT3\\_B4](#) [FP150R07N3E4](#) [FP15R12KT3](#)