



PRODUCT NUMBER

20020000-XXXXXXLF

20020000- [] [] [] [] [] [] [] LF

PITCH
C: 3.50 mm
D: 3.81 mm

POLES
02: 2 poles
03: 3 poles
04: 4 poles
24: 24 poles

LF : DENOTED RoHS COMPATIBLE
1 : STANDARD PRODUCT
W/ BOX PACKING

SCREW CODE

| CODE | SCREW TYPE | AVAILABILITY |
|------|------------|-----------------|
| A | -/+ | ON REQUEST ONLY |
| B | - | STANDARD |

ALL FLANGE SCREWS ARE ONLY AVAILABLE IN +/- COMBINATION SCREW TYPES.

| PROPERTY TABLE | | | |
|-------------------------------------------|----------|----------|----------|
| FCI SERIES NAME | | 01-350 | 01-381 |
| PITCH (mm) | | 3.50 | 3.81 |
| VOLTAGE RATING (VAC) | | 300 | 300 |
| CURRENT RATING (A) | cULus | 10 | 10 |
| | VDE | 10.5 | 10.5 |
| APPLICABLE WIRE RANGE (AWG) | 1-WIRE | 16~26 | 16~26 |
| | 2-WIRE | 20 | 20 |
| WIRE CROSS SECTION (mm ²) | SOLID | 1-WIRE | 1.5 |
| | | 2-WIRE | 0.5 |
| | STRANDED | 1-WIRE | 1.5 |
| | | 2-WIRE | 0.75 |
| OPENING CONTACT HOUSING(mm ²) | | 1.6x2.5 | 1.7x2.5 |
| WIRE STRIP LENGTH(mm) | | 6~7 | 6~7 |
| TORQUE +/-10% (N-m/Lb-in) | | 0.34/3.0 | 0.34/3.0 |
| SCREW | | M2x0.4 | M2x0.4 |
| WITHSTANDING VOLTAGE (kV) | cULus | 1.6 | 1.6 |
| | VDE | 2.5 | 2.5 |
| OPERATING TEMP. (°C) | | -40~+115 | -40~+115 |
| POLES AVAILABLE | | 02~24 | 02~24 |
| SAFETY CERTIFICATE | | | |

HOUSING CODE

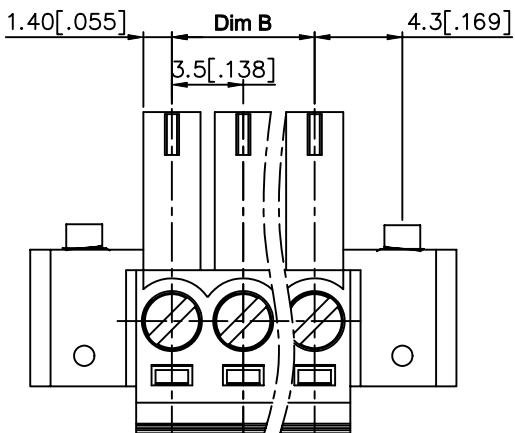
| CODE | COLOR | AVAILABILITY |
|------|-------------------|-----------------|
| 1 | GREEN(RAL 6018/T) | STANDARD |
| 2 | BLACK | ON REQUEST ONLY |
| 3 | GREY(RAL 7004/P) | ON REQUEST ONLY |
| 4 | BLUE(RAL 5015/A) | ON REQUEST ONLY |

- NOTES:
- MATERIALS
1-1 HOUSING: THERMALPLASTIC RESIN, UL 94V-0 RATED.
1-2 SCREW: STEEL, ZINC PLATED.
1-3 CLAMP: COPPER ALLOY, NICKEL PLATED.
1-4 TERMINAL: COPPER ALLOY, TIN PLATED.
 - PRODUCT SPECIFICATION REFER TO FCI GS-12-625.
 - PRODUCT PACKING SPECIFICATION REFER TO FCI GS-14-1394.
 - FCI, SAFETY CERTIFICATE LOGO AND SERIES NAME TO BE SHOWN ON PRODUCT SURFACE.
 - THE PRODUCTS WHERE THE PART NUMBER END IN "LF" MEET THE EUROPEAN UNION DIRECTIVE AND OTHER COUNTRY REGULATIONS AS DESCRIBED IN GS-22-008.

| mat'l. code | | surface ASME Y14.5 | tolerance ASME Y14.5 | projection | product family |
|-------------|----------------|--------------------|----------------------|-----------------------------------|--------------------|
| | | | | | TERMINAL BLOCK |
| ltr | ecn no | dr | date | title | |
| A | T10-0062 | WL | 050710 | TERMINAL BLOCK | |
| B | T10-0081 | WL | 061710 | PLUGGABLE, PLUG, SIGNAL, W/FLANGE | |
| C | T10-0127 | WL | 080910 | CONTACT UP SIDE | |
| D | T10-0155 | WL | 093010 | dr | WENDY CHEN 042310 |
| E | T11-0013 | WL | 040811 | enr | JASON HSU 042310 |
| F | T-004860 | WL | 080411 | chr | GARY HSIEH 042310 |
| | | | | appd | JOSEPH HSIA 042310 |
| sheet index | revision sheet | F 1 | F 2 | F 3 | |
| | | | | type | CUSTOMER Drawing |
| | | | | dwg no | 20020000 |
| | | | | sheet 1 of 3 | size A4 |



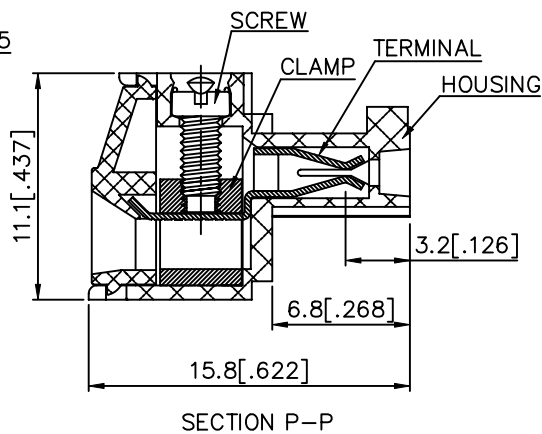
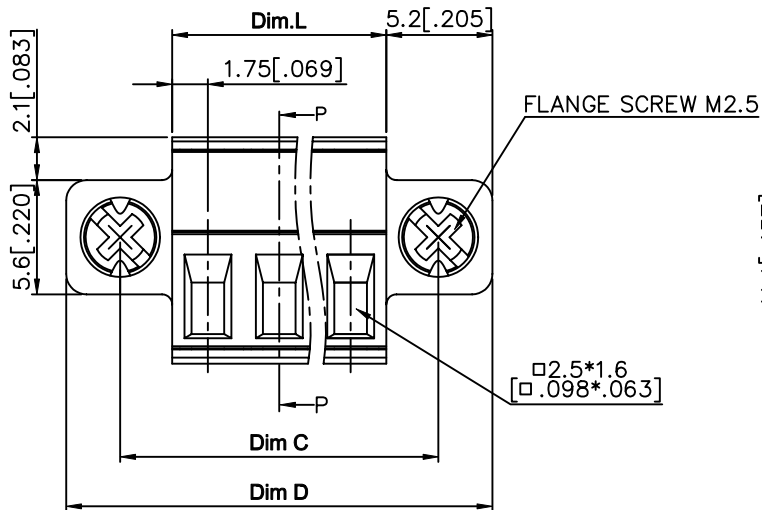
| | | |
|--------------------|-------------|---------|
| PRODUCT NUMBER | SERIES NAME | PITCH |
| 20020000-CXXXXXXLF | 01-350 | 3.50 mm |



N= NUMBER OF POLES

| | |
|-------|----------------------------------------|
| Dim L | $N \times 3.5 [.138]$ |
| Dim B | $(N-1) \times 3.5 [.138]$ |
| Dim C | $(N-1) \times 3.5 [.138] + 8.6 [.339]$ |
| Dim D | $N \times 3.5 [.138] + 10.4 [.409]$ |

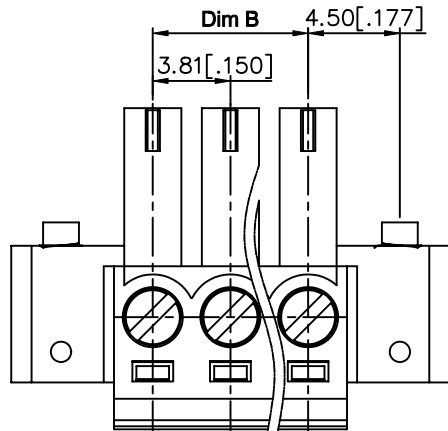
| Poles | Tolerance |
|---------|-------------------|
| 2P-6P | $\pm 0.15 [.006]$ |
| 7P-12P | $\pm 0.20 [.008]$ |
| 13P-18P | $\pm 0.25 [.010]$ |
| 19P-24P | $\pm 0.30 [.012]$ |



| | | | | |
|-------------|-----------------------|---------------------------------------|----------------|---------------------------------------------------------------------------------|
| mat'l. code | surface ASME Y14.5 | tolerance ASME Y14.5 | projection | product family TERMINAL BLOCK |
| ltr | ecn no | dr | date | title TERMINAL BLOCK PLUGGABLE, PLUG, SIGNAL, W/FLANGE CONTACT UP SIDE |
| F | | | | dwg no 20020000 |
| | angles | tolerances unless otherwise specified | MM INCH | sheet 2 of 3 size A4 |
| | $X \pm 0.5 [.020]$ | $X.X \pm 0.3 [.012]$ | scale | type CUSTOMER Drawing |
| | $X \pm 1$ | $X.XX \pm 0.1 [.004]$ | | |
| dr | WENDY CHEN | 042310 | | |
| enr | JASON HSU | 042310 | | |
| chr | GARY HSIEH | 042310 | | |
| appd | JOSEPH HSIA | 042310 | | |
| sheet index | revision sheet | | | |



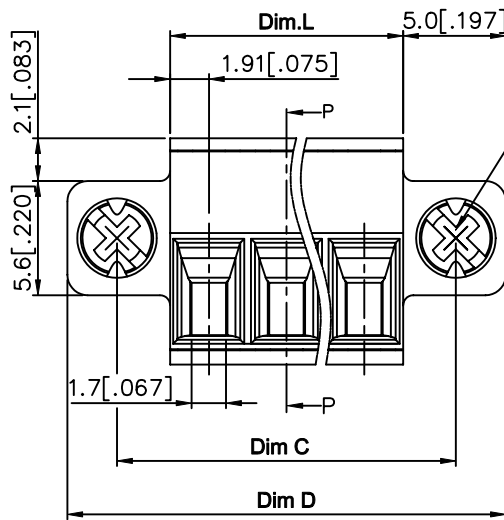
| | | |
|--------------------|-------------|---------|
| PRODUCT NUMBER | SERIES NAME | PITCH |
| 20020000-DXXXXXXLF | 01-381 | 3.81 mm |



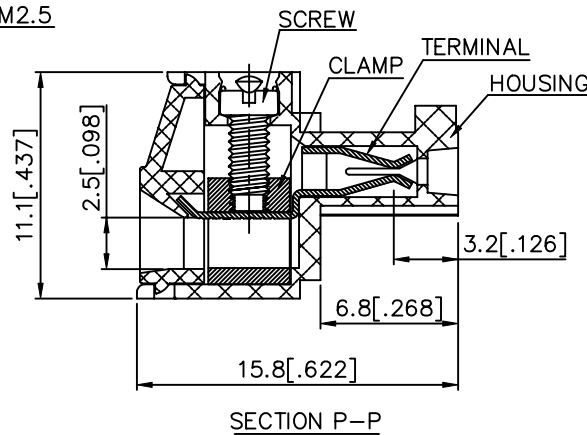
N= NUMBER OF POLES

| | |
|-------|-----------------------------------------|
| Dim L | $N \times 3.81 [.150]$ |
| Dim B | $(N-1) \times 3.81 [.150]$ |
| Dim C | $(N-1) \times 3.81 [.150] + 9.0 [.354]$ |
| Dim D | $N \times 3.81 [.150] + 10.08 [.397]$ |

| Poles | Tolerance |
|---------|-------------------|
| 2P-6P | $\pm 0.15 [.006]$ |
| 7P-12P | $\pm 0.20 [.008]$ |
| 13P-18P | $\pm 0.25 [.010]$ |
| 19P-24P | $\pm 0.30 [.012]$ |



FLANGE SCREW M2.5



| | | | | |
|-------------|-----------------------|-------------------------|----------------|---------------------------------------------------------------------------------|
| mat'l. code | surface ASME Y14.5 | tolerance ASME Y14.5 | projection | product family TERMINAL BLOCK |
| ltr | ecn no | dr | date | title TERMINAL BLOCK PLUGGABLE, PLUG, SIGNAL, W/FLANGE CONTACT UP SIDE |
| F | | | | dwg no 20020000 |
| | angles | tolerance | scale | sheet 3 of 3 size A4 |
| | $X \pm 0.5 [.020]$ | $X.X \pm 0.3 [.012]$ | MM INCH | type CUSTOMER Drawing |
| | $X \pm 1$ | $X.XX \pm 0.1 [.004]$ | | |
| | dr | WENDY CHEN | 042310 | |
| | enr | JASON HSU | 042310 | |
| | chr | GARY HSIEH | 042310 | |
| | appd | JOSEPH HSIA | 042310 | |
| sheet index | revision sheet | | | |



X-ON Electronics

Largest Supplier of Electrical and Electronic Components

Click to view similar products for [Amphenol manufacturer:](#)

Other Similar products are found below :

[PT01SE-16-8P\(476\)](#) [EN2997SE01006MN](#) [CTV06RW-11-2JB-LC](#) [JTPQ00RT-16-35P\(453\)](#) [MS3106B18-11PX](#) [TRX10GDP0311A1](#)
[GTS030-18-11S-116](#) [10-507142-843](#) [D38999/26JD19SALC](#) [D38999/26JD18PA](#) [JT07RT-22-35P](#) [D38999/26JD18SALC](#) [D38999/26JD18JA](#) [18-428](#)
[JT07RT-22-35PC](#) [PT02E8-2S-072](#) [GTS06-14S-9SZ-025](#) [97-3102A22-10SW-958](#) [97-3102A22-10SX-958](#) [97-3102A22-10SY-958](#) [97-3102A22-](#)
[5SW-959](#) [97-3102A22-5SX-959](#) [TVS06RF-17-35AD](#) [MS27468E25F43S](#) [97-3101A14S-9PX-959](#) [97-3101A14S-9PW-959](#) [JT07RT-8-35S](#)
[MS27468E15F19PLC](#) [D38999/26JD35JA](#) [GTC030-28-21P-025-A31](#) [AIB2-22-14SC-072](#) [AIB2-22-22SC-RDS-072](#) [TVPS00RK-11-2AC](#) [AIB2-22-](#)
[22PC-072](#) [100-007-213-002-001](#) [MS3108B28-15PY](#) [JT07RT-22-14PB-453](#) [GTS00AF28-7S](#) [2M801-010-01M16-5SA](#) [TV07DZ-23-151S-S1](#)
[TV07DZ-23-151S-S1AD](#) [TVS06RF-21-79S\(LC\)](#) [TVS07RF-21-79S\(LC\)](#) [GTS00A-28-84S](#) [PT03SE-14-12PLC](#) [GTCL01-24-2SW-025-B30](#) [AIB30-](#)
[14S-5SC-L](#) [AIB30-14S-5SXC-L](#) [97-3108A14S-5PX](#) [TVS07RF-19-11BB](#)