

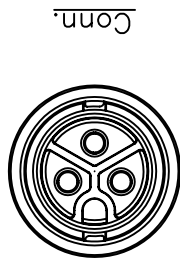
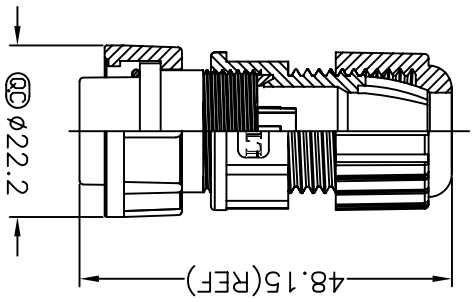
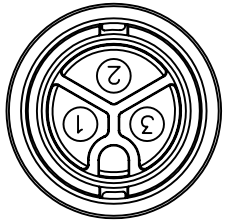
THIS DOCUMENT IS SUBJECT TO CHANGE WITHOUT NOTICE. IT IS CONFIDENTIAL AND A PROPERTY OF LTW. DISCLOSURE TO THIRD PARTY HAS TO BE AUTHORIZED BY LTW. 8 QP02C-01-01A2

DATE	2010/01/20	DRAWN BY	Vicky	ITEM NO	LTWPWC-03BFFA-LL7001
DATE	2010/01/20	CHECKED BY	Rita	DWG NO	LTWPWC-03BFFA-LL7001
DATE	2010/01/20	APPROVED BY	Lion	CUSTOMER	亮泰企業股份有限公司

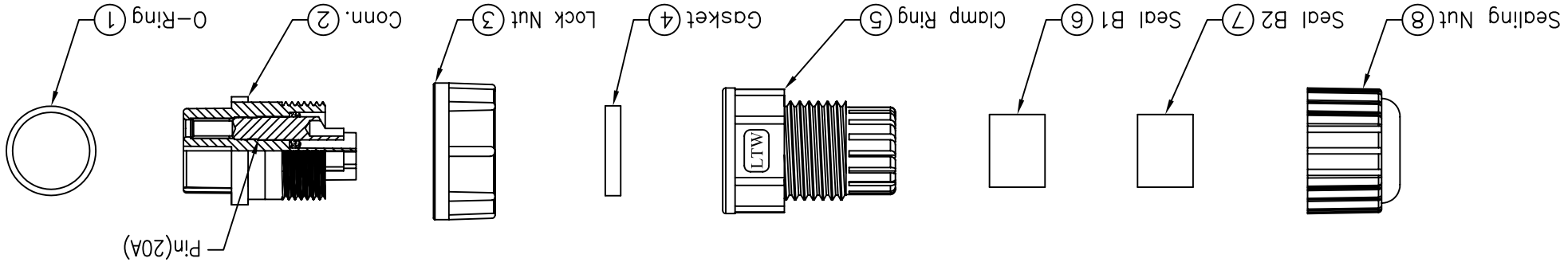
LTW

TITLE	Power, Assy Lock 3Pins	SCALE	Free	REV.	B
UNIT:mm	±0.5 mm	SHEET	1 OF 1	SIZE	A4
TOLERANCE		QC	Inspection Item		

Pin Assignments
Front View



- Note: Important Dimensions To Check.
- * Waterproof Rate: IP67.
 - * Housing: Nylon+GF, Black.
 - * Female Pin: Copper Alloy, Gold Plated.
 - * O-Ring: Silicon, Gray.
 - * Lock Nut: Nylon+GF, Black.
 - * Gasket: Silicon, Gray.
 - * Clamp Ring: PP0, Black.
 - * Sealing Nut: Nylon+GF, Black.
 - * Seal B1 For Cable OD: $\phi 7.6\text{mm} \sim 9.6\text{mm}$.
 - * Seal B2 For Cable OD: $\phi 4.0\text{mm} \sim 7.6\text{mm}$.
 - * One Set Unassembled in One PE Bag.



REV.	B	ECN NO.	LEN-020038	DATE	2010/01/20	SIGN	Vicky	DESCRIPTION	Remove Note.
------	---	---------	------------	------	------------	------	-------	-------------	--------------

X-ON Electronics

Largest Supplier of Electrical and Electronic Components

Click to view similar products for [AC Power Entry Modules](#) category:

Click to view products by [Amphenol](#) manufacturer:

Other Similar products are found below :

[0098.0050](#) [6-1609987-9](#) [6167.0002](#) [7-6609955-2](#) [FN389-4-22](#) [FN9233ER-12-06](#) [FN9233S1-10-06](#) [FN9233S1-8-06](#) [FN9233S1B-8-06](#)
[FN9233S1R-1-06](#) [FN9233S1R-12-06](#) [FN9233SB-1-06](#) [FN9233SB-12-06](#) [FN9233SB-8-06](#) [FN9233SR-10-06](#) [FN9233SR-3-06](#) [FN9244B-15-06](#)
[HI](#) [FN9244EB-3-06](#) [FN9244EB-8-06](#) [FN9244ER-15-06](#) [FN9244ER-8-06](#) [FN9244ES1-8-06](#) [FN9244ESB-8-06](#) [FN9244EU-6-06](#)
[FN9244R-12-06](#) [FN9244R-3-07](#) [FN9244R-8-06](#) [FN9244S1-10-06](#) [FN9244S1-12-06](#) [FN9244S1-3-06](#) [FN9244S1B-6-06](#) [FN9244S1R-3-06](#)
[FN9244S-6-06](#) [FN9244SB-10-06](#) [FN9244SB-6-06](#) [FN9244SB-8-06](#) [FN9244SR-10-06](#) [FN9244SR-6-06](#) [FN9244U-3-06](#) [FN9244U-8-06](#)
[FN9260A-6-06](#) [PE00SSSXB](#) [Fuse-H-EUR-1](#) [Fuse-H-USA-1](#) [PM00XD000](#) [PS0SSDBX0](#) [PS0SXSH3B](#) [A-0701-HT-H](#) [RAPC3FG](#) [15EJMS8](#)