

THIS DOCUMENT IS SUBJECT TO CHANGE WITHOUT NOTICE. IT IS CONFIDENTIAL AND A PROPERTY OF LTW. DISCLOSURE TO THIRD PARTY HAS TO BE AUTHORIZED BY LTW. 8 QP02C-01-01A2

DATE	2010/01/20	DRAWN BY	Vicky
DATE	2010/01/20	CHECKED BY	Rita
DATE	2010/01/20	APPROVED BY	Lion

REV.	B	ECN NO.	LEN-020039	DATE	2010/01/20	SIGN	Vicky	DESCRIPTION	Remove Note.

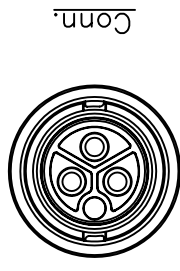
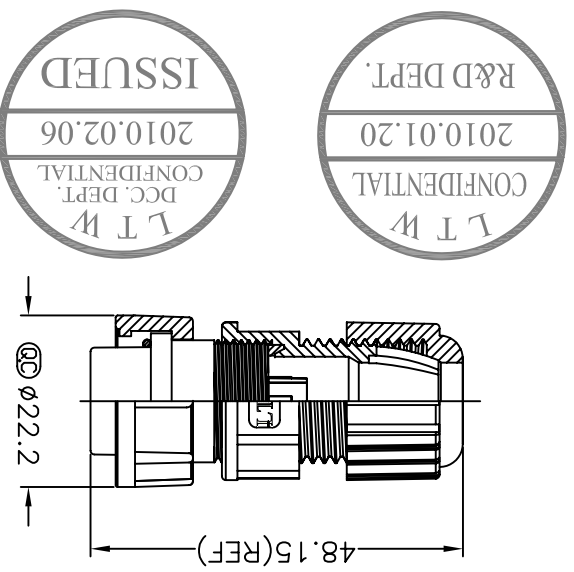
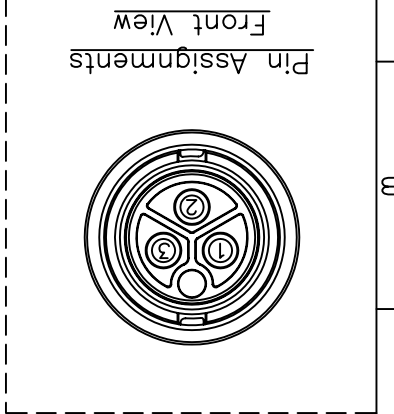
ITEM NO	LTWPWC-03BFMA-LL7001
DWG NO	LTWPWC-03BFMA-LL7001
CUSTOMER	亮泰企業股份有限公司

1	UNIT:mm	TOLERANCE	±0.5 mm	
2	REV.	B	SIZE	A4
3	SCALE	Free	SHEET	1 OF 1
4	TITLE	Power, Assy Lock 3Pins F Conn. M Pin 20Amps		

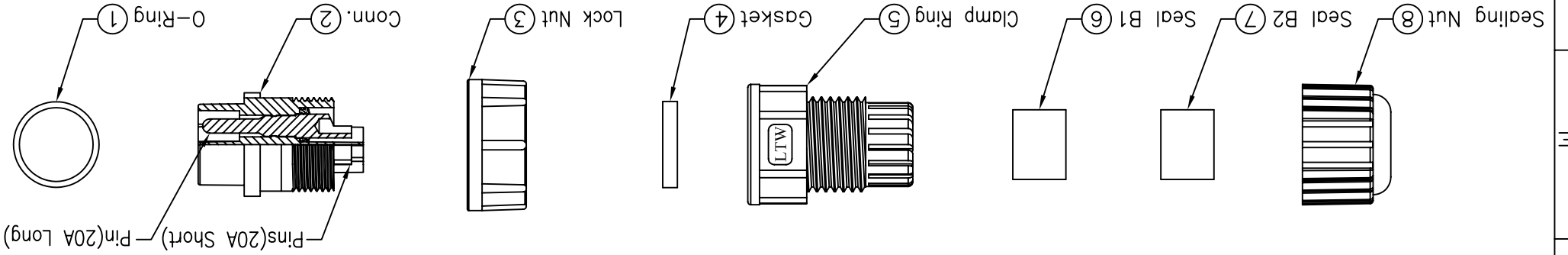
LTW

5	
6	
7	
8	

1	
2	
3	
4	
5	
6	
7	
8	



- Note: B
- * @Important Dimensions To Check.
 - * Waterproof Rate:IP67.
 - * Housing:Nylon+GF,Black.
 - * Male Pin:Copper Alloy,Gold Plated.
 - * O-Ring:Silicon,Gray.
 - * Lock Nut:Nylon+GF,Black.
 - * Gasket:Silicon,Gray.
 - * Clamp Ring:PP0,Black.
 - * Sealing Nut:Nylon+GF,Black.
 - * Seal B1 For Cable OD:ø7.6mm~9.6mm.
 - * Seal B2 For Cable OD:ø4.0mm~7.6mm.
 - * One Set Unassembled in One PE Bag.



X-ON Electronics

Largest Supplier of Electrical and Electronic Components

Click to view similar products for [AC Power Entry Modules](#) category:

Click to view products by [Amphenol](#) manufacturer:

Other Similar products are found below :

[0098.0050](#) [6-1609987-9](#) [6167.0002](#) [7-6609955-2](#) [FN389-4-22](#) [FN9233ER-12-06](#) [FN9233S1-10-06](#) [FN9233S1-8-06](#) [FN9233S1B-8-06](#)
[FN9233S1R-1-06](#) [FN9233S1R-12-06](#) [FN9233SB-1-06](#) [FN9233SB-12-06](#) [FN9233SB-8-06](#) [FN9233SR-10-06](#) [FN9233SR-3-06](#) [FN9244B-15-06](#)
[HI](#) [FN9244EB-3-06](#) [FN9244EB-8-06](#) [FN9244ER-15-06](#) [FN9244ER-8-06](#) [FN9244ES1-8-06](#) [FN9244ESB-8-06](#) [FN9244EU-6-06](#)
[FN9244R-12-06](#) [FN9244R-3-07](#) [FN9244R-8-06](#) [FN9244S1-10-06](#) [FN9244S1-12-06](#) [FN9244S1-3-06](#) [FN9244S1B-6-06](#) [FN9244S1R-3-06](#)
[FN9244S-6-06](#) [FN9244SB-10-06](#) [FN9244SB-6-06](#) [FN9244SB-8-06](#) [FN9244SR-10-06](#) [FN9244SR-6-06](#) [FN9244U-3-06](#) [FN9244U-8-06](#)
[FN9260A-6-06](#) [PE00SSSXB](#) [Fuse-H-EUR-1](#) [Fuse-H-USA-1](#) [PM00XD000](#) [PS0SSDBX0](#) [PS0SXSH3B](#) [A-0701-HT-H](#) [RAPC3FG](#) [15EJMS8](#)