

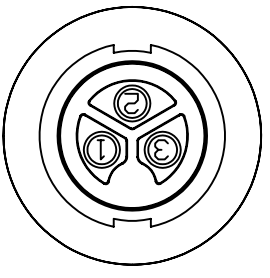
DATE	2009/10/20	APPROVED BY	Lion
DATE	2009/10/20	CHECKED BY	Vicky
DATE	2009/10/20	DRAWN BY	Rita

THIS DOCUMENT IS SUBJECT TO CHANGE WITHOUT NOTICE. IT IS CONFIDENTIAL AND A PROPERTY OF LTW. DISCLOSURE TO THIRD PARTY HAS TO BE AUTHORIZED BY LTW.

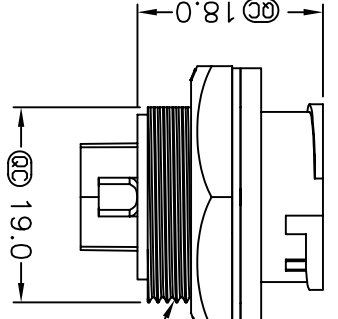
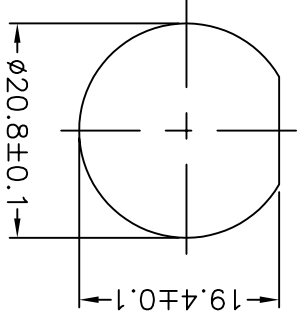
ITEM NO	LTWPWC-03RMFS-LC7001	CUSTOMER	亮泰企業股份有限公司
DWG NO	LTWPWC-03RMFS-LC7001	<h1>LTW</h1>	
DATE	2009/10/20		

UNIT:mm	Power, Panel Lock 3Pin M Conn. F Pin 20Amps	TITLE
TOLERANCE	±0.25 X XX XXX ±0.1 ±0.05 ±1°	SCALE
ANGLES	Free	REV. B
	19.4±0.1	SIZE A4
	20.8±0.1	SHEET 1 OF 1
		QC: inspection item

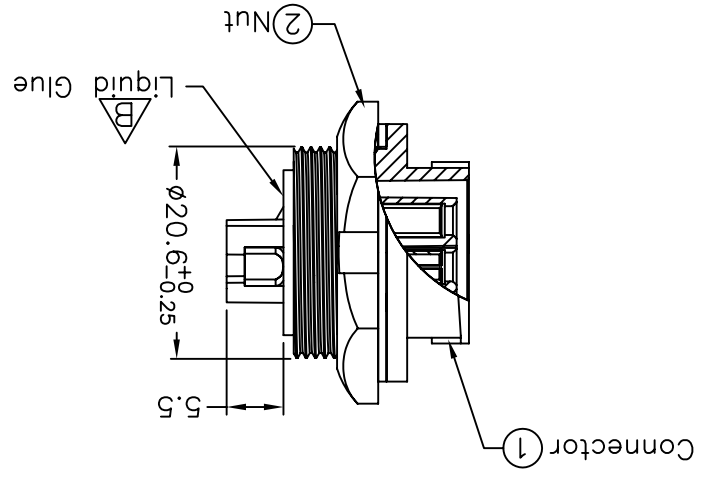
Pin Assignments



Recommended Panel Cut-Out

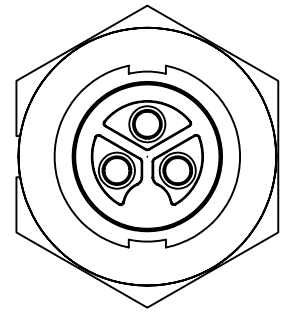
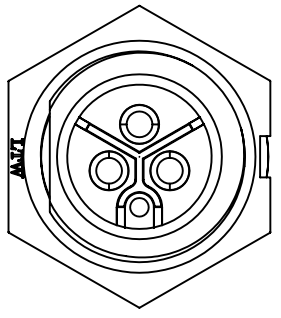


Gasket ③ 13/16"-28UNS



Connector ①

- Note:
- \* Important Dimension To Check.
  - \* Waterproof Rate: IP67
  - \* Connector: Nylon+GF, UL94V-0, Black
  - \* Female Pin: Copper Alloy, Gold Plated
  - \* Gasket: Silicone, UL94V-0, Gray
  - \* Maximum Panel Thickness: 4.5mm



REV.	B	ECN NO.	LE3-9A0098	DATE	2009/10/20	SIGN.	Rita	DESCRIPTION	Delete liquid no.
------	---	---------	------------	------	------------	-------	------	-------------	-------------------

## X-ON Electronics

Largest Supplier of Electrical and Electronic Components

*Click to view similar products for [AC Power Entry Modules](#) category:*

*Click to view products by [Amphenol](#) manufacturer:*

Other Similar products are found below :

[0098.0050](#) [6-1609987-9](#) [6167.0002](#) [7-6609955-2](#) [FN389-4-22](#) [FN9233ER-12-06](#) [FN9233S1-10-06](#) [FN9233S1-8-06](#) [FN9233S1B-8-06](#)  
[FN9233S1R-1-06](#) [FN9233S1R-12-06](#) [FN9233SB-1-06](#) [FN9233SB-12-06](#) [FN9233SB-8-06](#) [FN9233SR-10-06](#) [FN9233SR-3-06](#) [FN9244B-15-06](#)  
[HI](#) [FN9244EB-3-06](#) [FN9244EB-8-06](#) [FN9244ER-15-06](#) [FN9244ER-8-06](#) [FN9244ES1-8-06](#) [FN9244ESB-8-06](#) [FN9244EU-6-06](#)  
[FN9244R-12-06](#) [FN9244R-3-07](#) [FN9244R-8-06](#) [FN9244S1-10-06](#) [FN9244S1-12-06](#) [FN9244S1-3-06](#) [FN9244S1B-6-06](#) [FN9244S1R-3-06](#)  
[FN9244S-6-06](#) [FN9244SB-10-06](#) [FN9244SB-6-06](#) [FN9244SB-8-06](#) [FN9244SR-10-06](#) [FN9244SR-6-06](#) [FN9244U-3-06](#) [FN9244U-8-06](#)  
[FN9260A-6-06](#) [PE00SSSXB](#) [Fuse-H-EUR-1](#) [Fuse-H-USA-1](#) [PM00XD000](#) [PS0SSDBX0](#) [PS0SXSH3B](#) [A-0701-HT-H](#) [RAPC3FG](#) [15EJMS8](#)