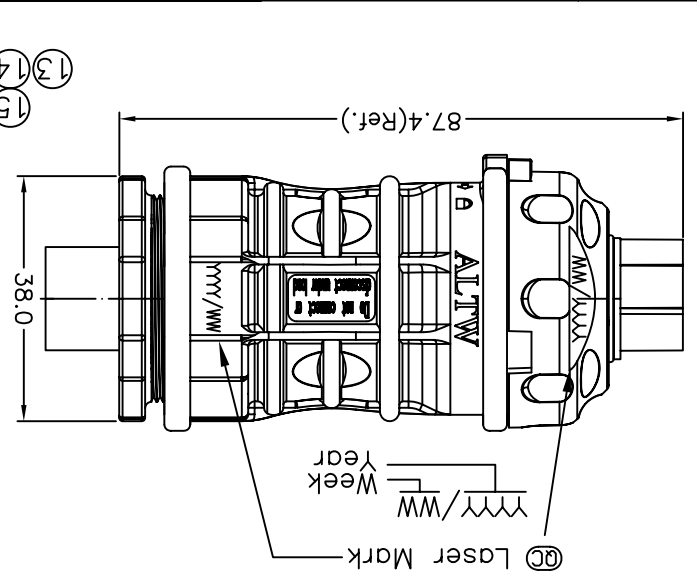
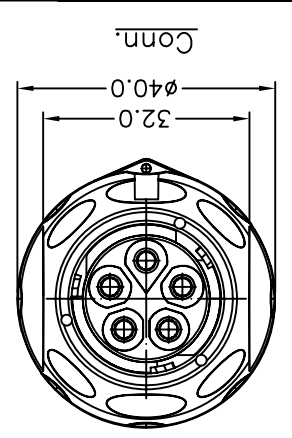
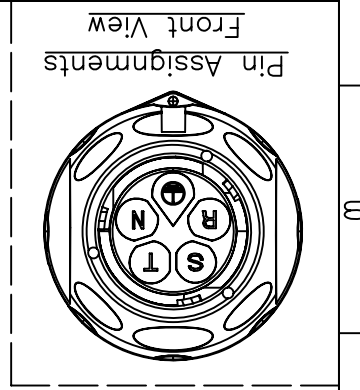


THIS DOCUMENT IS SUBJECT TO CHANGE WITHOUT NOTICE. IT IS CONFIDENTIAL AND A PROPERTY OF Amphenol LTW. DISCLOSURE TO THIRD PARTY HAS TO BE AUTHORIZED BY Amphenol LTW.

1	UNIT:mm	TOLERANCE X ±0.25 XX ±0.1 XXX ±1
2	SCALE	Free
3	REV	A
4	SIZE	A4
5	⑩: Inspection Item	

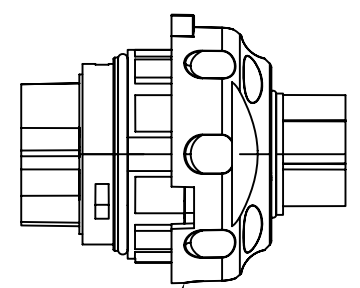
1	DATE	2011/06/13
2	DRAWN BY	Micky
3	ITEM NO	LTWPWH-05BFFC-LL8001
4	CHECKED BY	Kevin
5	DWG NO	LTWPWH-05BFFC-LL8001
6	APPROVED BY	Victor
7	DATE	2011/06/13
8	DATE	2011/06/13

Amphenol LTW  
安費諾亮泰企業股份有限公司

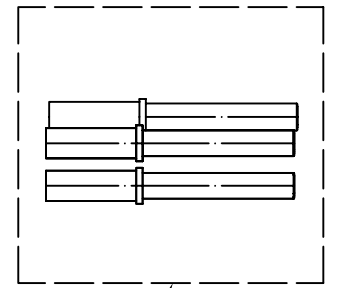


Note:

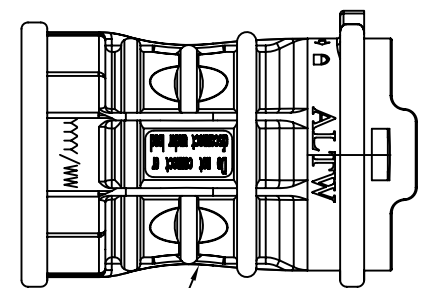
- \* @Important Dimensions To Check.(重點檢查尺寸)
- \* Voltage (電壓) : AC 60V ; DC 1000V
- \* Current (電流) : 25A
- \* Please refer to manual for Ass'y instruction (使用方式請參閱組裝說明書)
- \* Standard (認證) : ULXXXX ; CSAXXXX ; TUVXXXX
- \* Waterproof Rate(防水等級) : IP68\_3M6H(Mating 對接)
- \* Female Housing(母殼) : m-PPE(F1),Black (黑)
- \* Female Pin(母端子) : Copper(銅),Tin Plated(鍍錫)
- \* O-ring (O型環) : Silicone (矽樹脂),Gray (灰)
- \* Cable OD range(線材範圍) : 16mm~13mm
- \* Wire Size(導體尺寸) : 12AWG
- \* Flame Class(防火等級) : UL94V-0
- \* One Set Unassembled in one PE Bag.
- \* One Set Ass'y Instructions & Tool in one PE Bag.
- (每包袋子中含有未組裝零件,組裝說明書及工具)



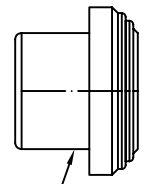
- ① F\_Housing
- ② O-Ring\*2
- ③ O-Ring
- ④ Nut
- ⑤ Ins\_Housing



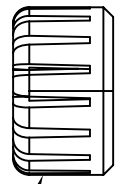
- ⑥ F\_Pin
- ⑦ Built-in Spring
- ⑧ PE Bag (HPE00910085)



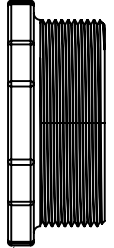
- ⑨ Body



- ⑩ Seal(16MM)



- ⑪ Clamp Ring (16MM)



- ⑫ Clamp Nut (16MM)



1	REV.			
2	ECN NO.			
3	DATE			
4	SIGN			
5	DESCRIPTION			

## X-ON Electronics

Largest Supplier of Electrical and Electronic Components

*Click to view similar products for [AC Power Entry Modules](#) category:*

*Click to view products by [Amphenol](#) manufacturer:*

Other Similar products are found below :

[0098.0050](#) [6-1609987-9](#) [6167.0002](#) [7-6609955-2](#) [FN389-4-22](#) [FN9233ER-12-06](#) [FN9233S1-10-06](#) [FN9233S1-8-06](#) [FN9233S1B-8-06](#)  
[FN9233S1R-1-06](#) [FN9233S1R-12-06](#) [FN9233SB-1-06](#) [FN9233SB-12-06](#) [FN9233SB-8-06](#) [FN9233SR-10-06](#) [FN9233SR-3-06](#) [FN9244B-15-06](#)  
[HI](#) [FN9244EB-3-06](#) [FN9244EB-8-06](#) [FN9244ER-15-06](#) [FN9244ER-8-06](#) [FN9244ES1-8-06](#) [FN9244ESB-8-06](#) [FN9244EU-6-06](#)  
[FN9244R-12-06](#) [FN9244R-3-07](#) [FN9244R-8-06](#) [FN9244S1-10-06](#) [FN9244S1-12-06](#) [FN9244S1-3-06](#) [FN9244S1B-6-06](#) [FN9244S1R-3-06](#)  
[FN9244S-6-06](#) [FN9244SB-10-06](#) [FN9244SB-6-06](#) [FN9244SB-8-06](#) [FN9244SR-10-06](#) [FN9244SR-6-06](#) [FN9244U-3-06](#) [FN9244U-8-06](#)  
[FN9260A-6-06](#) [PE00SSSXB](#) [Fuse-H-EUR-1](#) [Fuse-H-USA-1](#) [PM00XD000](#) [PS0SSDBX0](#) [PS0SXSH3B](#) [A-0701-HT-H](#) [RAPC3FG](#) [15EJMS8](#)