

THIS DOCUMENT IS SUBJECT TO CHANGE WITHOUT NOTICE. IT IS CONFIDENTIAL AND A PROPERTY OF Amphenol LTW. DISCLOSURE TO THIRD PARTY HAS TO BE AUTHORIZED BY Amphenol LTW.

8 FMMW0702-01-01A2

| | | | |
|------|------------|-------------|--------|
| DATE | 2011/06/13 | APPROVED BY | Victor |
| DATE | 2011/06/13 | CHECKED BY | Kevin |
| DATE | 2011/06/13 | DRAWN BY | Micky |

| | | | | | | | | |
|------|--|---------|--|------|--|------|--|-------------|
| REV. | | ECN NO. | | DATE | | SIGN | | DESCRIPTION |
| 8 | | | | | | | | |

| | | | |
|----------|----------------------|-------------|----------------------|
| ITEM NO | LTWPWH-05BPMC-LL8001 | DWG NO | LTWPWH-05BPMC-LL8001 |
| CUSTOMER | 安普諾亮泰企業股份有限公司 | APPROVED BY | Victor |

| | | | |
|---|--|--|--|
| 7 | | | |
| 6 | | | |
| 5 | | | |
| 4 | | | |
| 3 | | | |
| 2 | | | |
| 1 | | | |

| | | | |
|--------------------|----|-------|--------|
| REV. | A | SCALE | Free |
| SIZE | A4 | SHEET | 1 OF 1 |
| ⑩: Inspection Item | | | |

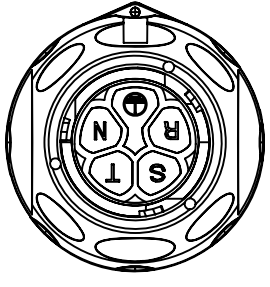
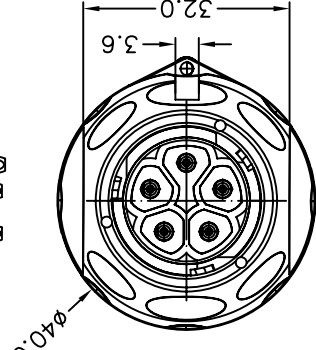
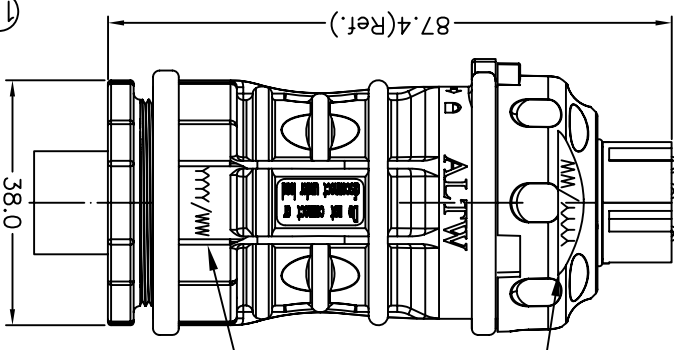
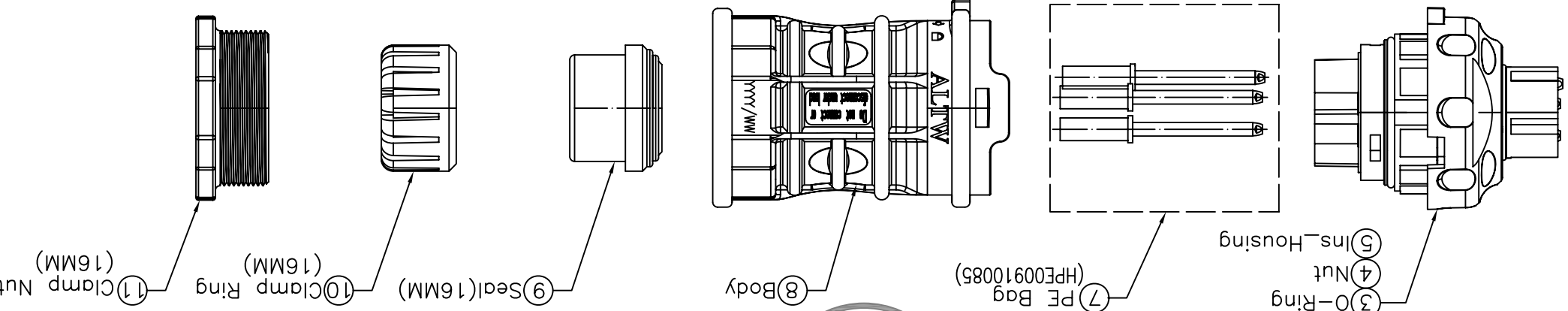
| | | | |
|---|--|--|--|
| 8 | | | |
| 7 | | | |
| 6 | | | |
| 5 | | | |
| 4 | | | |
| 3 | | | |
| 2 | | | |
| 1 | | | |

| | |
|----------------------|--------------------------------|
| TITLE | PV Power Conn 5Pin Cable(16MM) |
| Female Conn Male Pin | |

| | |
|-----------|------------------------------|
| UNIT:mm | ±0.25 ±0.1 ±0.05 ±1 |
| TOLERANCE | X XX XXX |
| ANGLES | |

Note:

- * @Important Dimensions To Check.(重點檢查尺寸)
- * Voltage (電壓) : AC 60V ; DC 1000V
- * Current (電流) : 25A
- * Please refer to manual for Ass'y instruction
- * (使用方式請參閱組裝說明書)
- * Standard (認證) : ULXXXX ; CSAXXXX ; TUVXXXX
- * Waterproof Rate(防水等級) : IP68_3M6H(Mating 對接)
- * Female Housing(母蕊) : m-PPE(F1),Black (黑)
- * Male Pin (母端子) : Copper(銅),Tin Plated(鍍錫)
- * O-ring (O型環) : Silicone (矽樹脂),Gray (灰)
- * Cable OD range (線材範圍) : 16mm~13mm
- * Wire Size(導體尺寸): 12AWG
- * Flame Class(防火等級): UL94V-0
- * One Set Unassembled in one PE Bag.
- * One Set Ass'y Instructions & Tool in one PE Bag.
- (每包袋子中含有未組裝零件,組裝說明書及工具)



Pin Assignments
Front View



X-ON Electronics

Largest Supplier of Electrical and Electronic Components

Click to view similar products for [AC Power Entry Modules](#) category:

Click to view products by [Amphenol](#) manufacturer:

Other Similar products are found below :

[0098.0050](#) [6-1609987-9](#) [6167.0002](#) [7-6609955-2](#) [FN389-4-22](#) [FN9233ER-12-06](#) [FN9233S1-10-06](#) [FN9233S1-8-06](#) [FN9233S1B-8-06](#)
[FN9233S1R-1-06](#) [FN9233S1R-12-06](#) [FN9233SB-1-06](#) [FN9233SB-12-06](#) [FN9233SB-8-06](#) [FN9233SR-10-06](#) [FN9233SR-3-06](#) [FN9244B-15-06](#)
[HI](#) [FN9244EB-3-06](#) [FN9244EB-8-06](#) [FN9244ER-15-06](#) [FN9244ER-8-06](#) [FN9244ES1-8-06](#) [FN9244ESB-8-06](#) [FN9244EU-6-06](#)
[FN9244R-12-06](#) [FN9244R-3-07](#) [FN9244R-8-06](#) [FN9244S1-10-06](#) [FN9244S1-12-06](#) [FN9244S1-3-06](#) [FN9244S1B-6-06](#) [FN9244S1R-3-06](#)
[FN9244S-6-06](#) [FN9244SB-10-06](#) [FN9244SB-6-06](#) [FN9244SB-8-06](#) [FN9244SR-10-06](#) [FN9244SR-6-06](#) [FN9244U-3-06](#) [FN9244U-8-06](#)
[FN9260A-6-06](#) [PE00SSSXB](#) [Fuse-H-EUR-1](#) [Fuse-H-USA-1](#) [PM00XD000](#) [PS0SSDBX0](#) [PS0SXSH3B](#) [A-0701-HT-H](#) [RAPC3FG](#) [15EJMS8](#)