

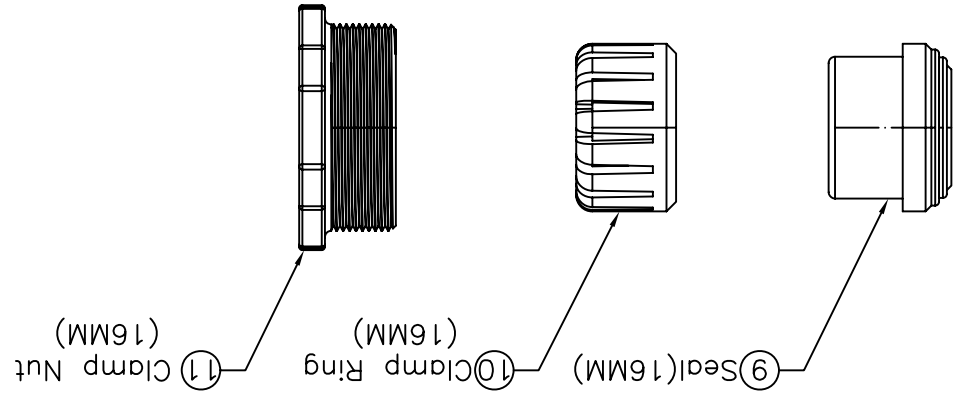
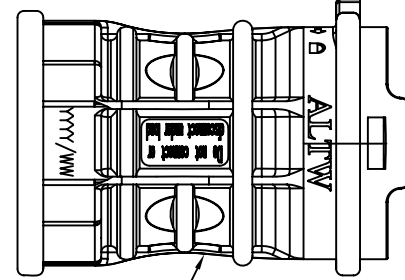
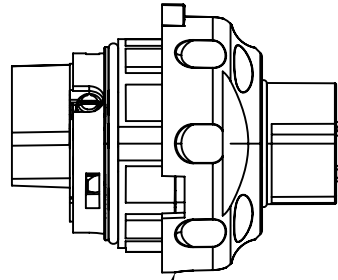
THIS DOCUMENT IS SUBJECT TO CHANGE WITHOUT NOTICE. IT IS CONFIDENTIAL AND A PROPERTY OF Amphenol LTW. DISCLOSURE TO THIRD PARTY HAS TO BE AUTHORIZED BY Amphenol LTW.

8 FMMW0702-01-01A2

REV.	ECN NO.	DATE	SIGN	DESCRIPTION



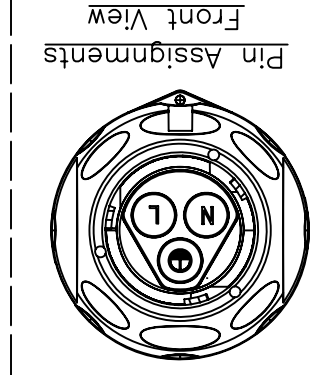
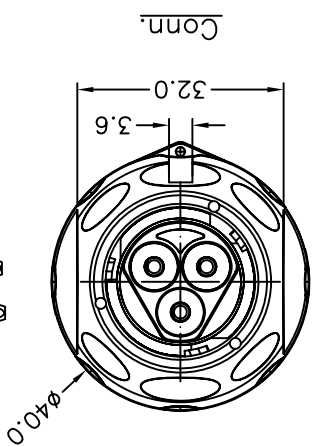
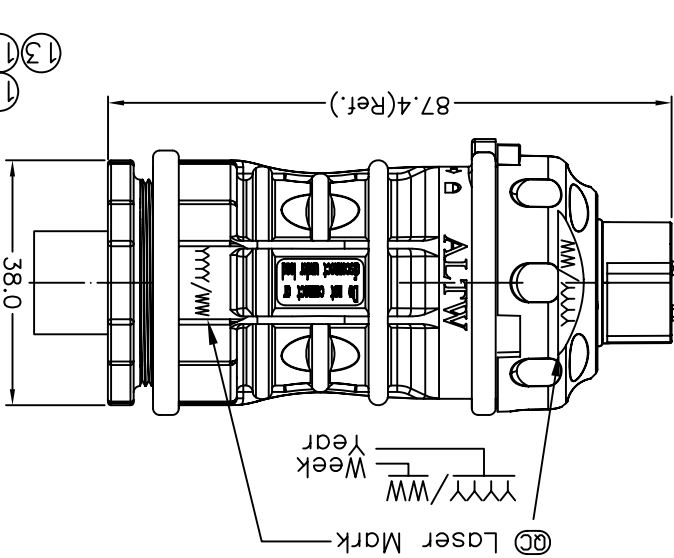
- ① F Housing
- ② O-Ring*2
- ③ O-Ring
- ④ Nut
- ⑤ Ins_Housing
- ⑥ M_Pin Ass'y
- ⑦ CLIP Ass'y



Note:

- * @Important Dimensions To Check.(重點檢查尺寸)
- * Voltage (電壓) : AC 60V ; DC 1000V
- * Current (電流) : 30A
- * Please refer to manual for Ass'y instruction (使用方式請參閱組裝說明書)
- * Standard (認證) : ULXXXX ; CSAXXXX ; TUVXXXX
- * Waterproof Rate(防水等級) : IP68_3M6H(Mating對接)
- * Female Housing(母膠芯) : m-PPE(F1),Black (黑)
- * Male Pin (公端子)Copper(銅),Tin Plated(鍍錫)
- * O-ring (O型環) : Silicone (矽樹脂),Gray (灰)
- * Cable OD range (線材範圍) : 16mm~13mm
- * Wire Size(導體尺寸): 10AWG~16AWG
- * Flame Class(防火等級): UL94V-0
- ⑮ * One Set Unassembled in one PE Bag.
- ⑬⑭ * One Set Ass'y Instructions & Tool in one PE Bag.

(每包袋子中含有未組裝零件,組裝說明書及工具)



TITLE PV Power Conn 3Pin Cable(16MM) Female Conn Male Pin	SCALE Free	SHEET 1 OF 1	REV. A	SIZE A4	QC : Inspection Item
	TOLERANCE X XX XXX ±0.1 ±0.05 ±1				
UNIT:mm	ANGLES X XX XXX				
Amphenol LTW 安費諾亮泰企業股份有限公司					
ITEM NO LTWPWJ-03BFMB-LL8001	CUSTOMER Victor	DATE 2011/06/13	DRAWN BY Micky		
DWG NO LTWPWJ-03BFMB-LL8001	CHECKED BY Kevin	DATE 2011/06/13	APPROVED BY Victor		
8	7	6	5	4	3

X-ON Electronics

Largest Supplier of Electrical and Electronic Components

Click to view similar products for [AC Power Entry Modules](#) category:

Click to view products by [Amphenol](#) manufacturer:

Other Similar products are found below :

[0098.0050](#) [6-1609987-9](#) [6167.0002](#) [7-6609955-2](#) [FN389-4-22](#) [FN9233ER-12-06](#) [FN9233S1-10-06](#) [FN9233S1-8-06](#) [FN9233S1B-8-06](#)
[FN9233S1R-1-06](#) [FN9233S1R-12-06](#) [FN9233SB-1-06](#) [FN9233SB-12-06](#) [FN9233SB-8-06](#) [FN9233SR-10-06](#) [FN9233SR-3-06](#) [FN9244B-15-06](#)
[HI](#) [FN9244EB-3-06](#) [FN9244EB-8-06](#) [FN9244ER-15-06](#) [FN9244ER-8-06](#) [FN9244ES1-8-06](#) [FN9244ESB-8-06](#) [FN9244EU-6-06](#)
[FN9244R-12-06](#) [FN9244R-3-07](#) [FN9244R-8-06](#) [FN9244S1-10-06](#) [FN9244S1-12-06](#) [FN9244S1-3-06](#) [FN9244S1B-6-06](#) [FN9244S1R-3-06](#)
[FN9244S-6-06](#) [FN9244SB-10-06](#) [FN9244SB-6-06](#) [FN9244SB-8-06](#) [FN9244SR-10-06](#) [FN9244SR-6-06](#) [FN9244U-3-06](#) [FN9244U-8-06](#)
[FN9260A-6-06](#) [PE00SSSXB](#) [Fuse-H-EUR-1](#) [Fuse-H-USA-1](#) [PM00XD000](#) [PS0SSDBX0](#) [PS0SXSH3B](#) [A-0701-HT-H](#) [RAPC3FG](#) [15EJMS8](#)