

THIS DOCUMENT IS SUBJECT TO CHANGE WITHOUT NOTICE. IT IS CONFIDENTIAL AND A PROPERTY OF Amphenol LTW. DISCLOSURE TO THIRD PARTY HAS TO BE AUTHORIZED BY Amphenol LTW.

8	7	6	5	4	3	2	1
---	---	---	---	---	---	---	---

DATE	DESCRIPTION	DATE	DATE	DATE	DATE	DATE	DATE
2011/06/13		2011/06/13	2011/06/13	2011/06/13	2011/06/13	2011/06/13	2011/06/13
APPROVED BY		CHECKED BY		DRAWN BY			
Victor		Doreen		Micky			

REV.	ECON NO.	DATE	SIGN	DESCRIPTION

ITEM NO	DWG NO	CUSTOMER
LTWFWJ-03BMFB-LL8001	LTWFWJ-03BMFB-LL8001	安費諾亮泰企業股份有限公司

DATE	DATE	DATE	DATE	DATE	DATE	DATE	DATE
2011/06/13	2011/06/13	2011/06/13	2011/06/13	2011/06/13	2011/06/13	2011/06/13	2011/06/13

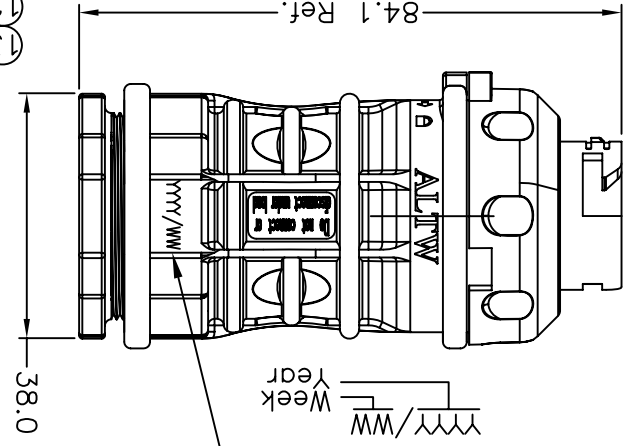
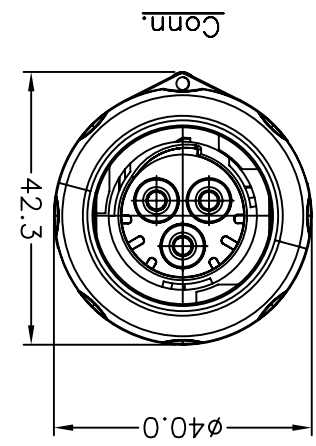
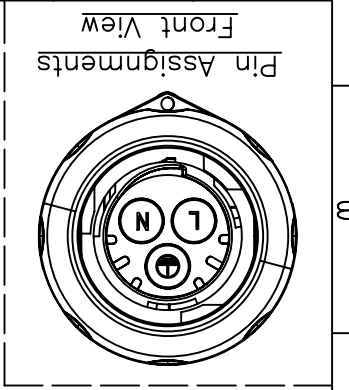
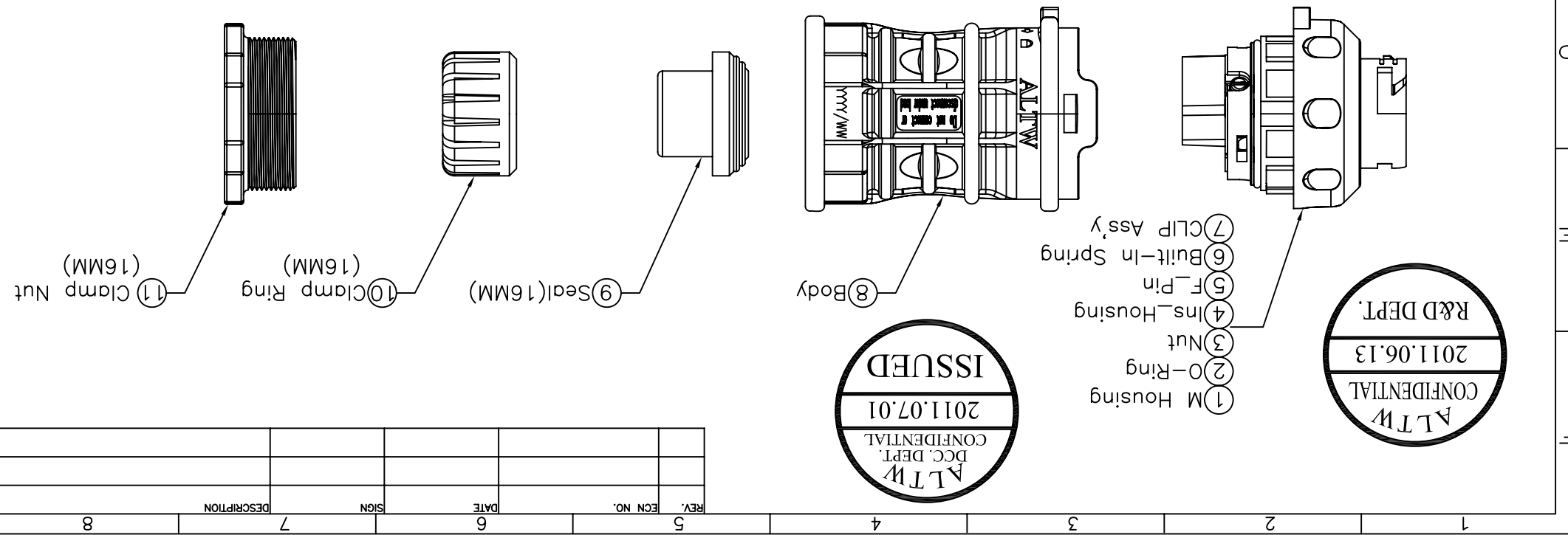
TITLE	SCALE	REV.	SIZE	A4	QC : inspection Item
PV Connector 3Pin Cable(16MM) M CON, F PIN	Free	Free	Free	Free	SHEET 1 OF 1

UNIT:mm	TOLERANCE	ANGLES
±0.25	±0.1	±1
±0.1	±0.05	XXX
±0.05	±1	XXX

Note:

- \* @Important Dimensions To Check.(重點檢查尺寸)
- \* Voltage (電壓) : AC 660V ; DC 1000V
- \* Current (電流) : 30A
- \* Please refer to manual for Ass'y instruction (使用方式請參閱組裝說明書)
- \* Standard (認證) : ULXXXX ; CSAXXXX ; TUVXXXX
- \* Waterproof Rate(防水等級) : IP68\_3M6H(Mating 對接)
- \* Male Housing(公膠芯) : m-PPE(F1),Black (黑)
- \* Female Pin(母端子) : Copper(銅),Tin Plated(鍍錫)
- \* O-ring (O型環) : Silicone (矽樹脂),Gray (灰)
- \* Cable OD range (線材範圍) : 16mm~13mm
- \* Wire Size(導體尺寸) : 10AWG~16AWG
- \* Flame Class(防火等級) : UL94V-0
- \* One Set Unassembled in one PE Bag.
- \* One Set Ass'y Instructions in one PE Bag.

(每包袋子中含有未組裝零件,組裝說明書)



ALTW  
CONFIDENTIAL  
2011.06.13  
R&D DEPT.

ALTW  
BCC. DEPT.  
CONFIDENTIAL  
2011.07.01  
ISSUED

## X-ON Electronics

Largest Supplier of Electrical and Electronic Components

*Click to view similar products for [AC Power Entry Modules](#) category:*

*Click to view products by [Amphenol](#) manufacturer:*

Other Similar products are found below :

[0098.0050](#) [6-1609987-9](#) [6167.0002](#) [7-6609955-2](#) [FN389-4-22](#) [FN9233ER-12-06](#) [FN9233S1-10-06](#) [FN9233S1-8-06](#) [FN9233S1B-8-06](#)  
[FN9233S1R-1-06](#) [FN9233S1R-12-06](#) [FN9233SB-1-06](#) [FN9233SB-12-06](#) [FN9233SB-8-06](#) [FN9233SR-10-06](#) [FN9233SR-3-06](#) [FN9244B-15-06](#)  
[HI](#) [FN9244EB-3-06](#) [FN9244EB-8-06](#) [FN9244ER-15-06](#) [FN9244ER-8-06](#) [FN9244ES1-8-06](#) [FN9244ESB-8-06](#) [FN9244EU-6-06](#)  
[FN9244R-12-06](#) [FN9244R-3-07](#) [FN9244R-8-06](#) [FN9244S1-10-06](#) [FN9244S1-12-06](#) [FN9244S1-3-06](#) [FN9244S1B-6-06](#) [FN9244S1R-3-06](#)  
[FN9244S-6-06](#) [FN9244SB-10-06](#) [FN9244SB-6-06](#) [FN9244SB-8-06](#) [FN9244SR-10-06](#) [FN9244SR-6-06](#) [FN9244U-3-06](#) [FN9244U-8-06](#)  
[FN9260A-6-06](#) [PE00SSSXB](#) [Fuse-H-EUR-1](#) [Fuse-H-USA-1](#) [PM00XD000](#) [PS0SSDBX0](#) [PS0SXSH3B](#) [A-0701-HT-H](#) [RAPC3FG](#) [15EJMS8](#)