

THIS DOCUMENT IS SUBJECT TO CHANGE WITHOUT NOTICE. IT IS CONFIDENTIAL AND A PROPERTY OF Amphenol LTW. DISCLOSURE TO THIRD PARTY HAS TO BE AUTHORIZED BY Amphenol LTW.

8 FMMW0702-01-01A2

DATE	2011/06/13	APPROVED BY	Victor
DATE	2011/06/13	CHECKED BY	Kevin
DATE	2011/06/13	DRAWN BY	Micky

REV.		ECN NO.		DATE		SIGN		DESCRIPTION
8								

7 6 5 4 3 2 1

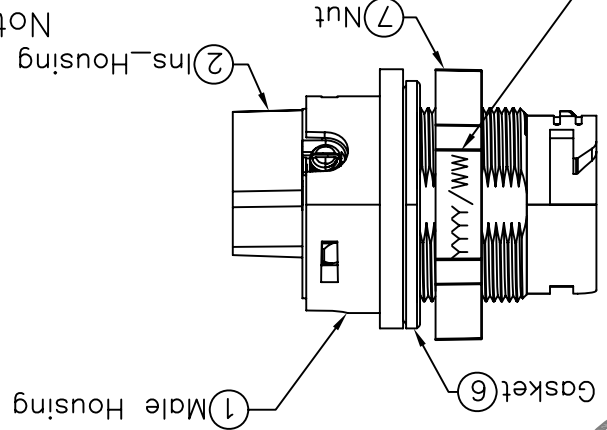
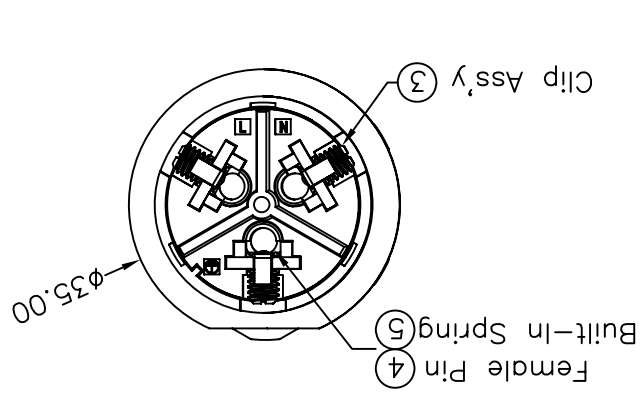
ITEM NO	LTWPWJ-03PMFB-LC8001	DRAWN BY	Micky
DWG NO	LTWPWJ-03PMFB-LC8001	CHECKED BY	Kevin
CUSTOMER	安費諾亮泰企業股份有限公司		

Amphenol LTW

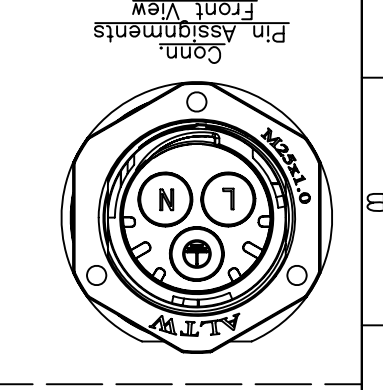
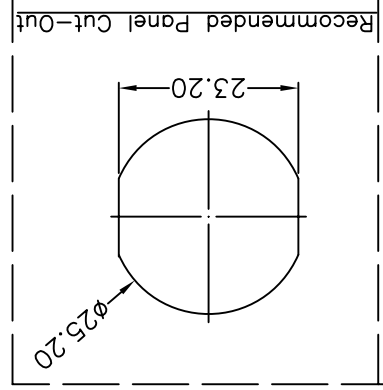
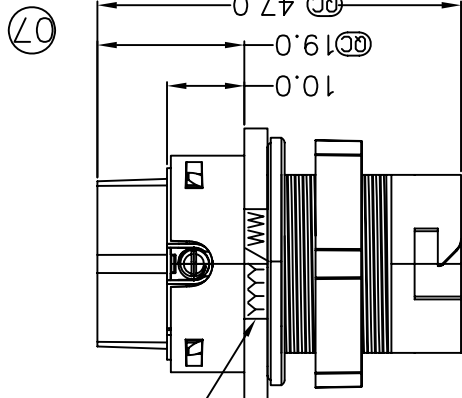
TITLE	PV Power Conn 3Pin Panel Male Connector Female Pin	
SCALE	Free	SHEET 1 OF 1
REV.	A	SIZE A4
QC	Inspection Item	

UNIT:mm	±0.25
TOLERANCE	±0.1
X	±0.05
XX	±1
ANGLES	

- * @Important Dimensions To Check.
- * Voltage (電壓) : AC 660V ; DC 1000V
- * Current (電流) : 30A
- * Please refer to manual for Assy instruction
- * (使用方式請參閱組裝說明書)
- * Standard (認證) : ULXXXX ; CSAXXXX ; TUVXXXX
- * Waterproof Rate (防水等級) : IP68_3M6H (Mating對插)
- * Male Housing (母膠芯) : m-PPE(F1), Black (黑)
- * Female Pin (公端子) : Copper (銅), Tin Plated (鍍錫)
- * Gasket (墊片) : Silicone (矽樹脂), Gray (灰)
- * Wire Size (導體尺寸) : 10~16AWG
- * Flame Class (防火等級) : UL94V-0
- * Recommended Panel Thickness: 0.5mm~8.0mm
- * (建議面板厚度)
- * One Set Assy Instructions in one PE Bag.
- * (每包袋子中含有組裝說明書)



Note:



X-ON Electronics

Largest Supplier of Electrical and Electronic Components

Click to view similar products for [AC Power Entry Modules](#) category:

Click to view products by [Amphenol](#) manufacturer:

Other Similar products are found below :

[0098.0050](#) [6-1609987-9](#) [6167.0002](#) [7-6609955-2](#) [FN389-4-22](#) [FN9233ER-12-06](#) [FN9233S1-10-06](#) [FN9233S1-8-06](#) [FN9233S1B-8-06](#)
[FN9233S1R-1-06](#) [FN9233S1R-12-06](#) [FN9233SB-1-06](#) [FN9233SB-12-06](#) [FN9233SB-8-06](#) [FN9233SR-10-06](#) [FN9233SR-3-06](#) [FN9244B-15-06](#)
[HI](#) [FN9244EB-3-06](#) [FN9244EB-8-06](#) [FN9244ER-15-06](#) [FN9244ER-8-06](#) [FN9244ES1-8-06](#) [FN9244ESB-8-06](#) [FN9244EU-6-06](#)
[FN9244R-12-06](#) [FN9244R-3-07](#) [FN9244R-8-06](#) [FN9244S1-10-06](#) [FN9244S1-12-06](#) [FN9244S1-3-06](#) [FN9244S1B-6-06](#) [FN9244S1R-3-06](#)
[FN9244S-6-06](#) [FN9244SB-10-06](#) [FN9244SB-6-06](#) [FN9244SB-8-06](#) [FN9244SR-10-06](#) [FN9244SR-6-06](#) [FN9244U-3-06](#) [FN9244U-8-06](#)
[FN9260A-6-06](#) [PE00SSSXB](#) [Fuse-H-EUR-1](#) [Fuse-H-USA-1](#) [PM00XD000](#) [PS0SSDBX0](#) [PS0SXSH3B](#) [A-0701-HT-H](#) [RAPC3FG](#) [15EJMS8](#)