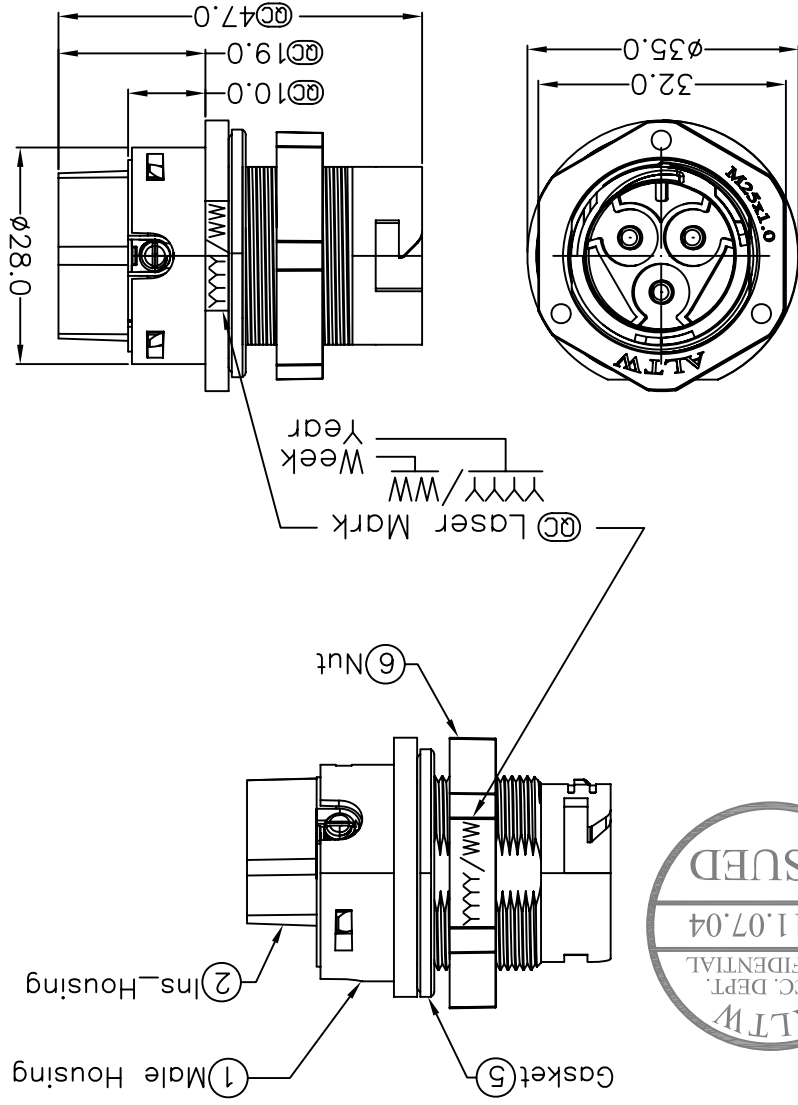
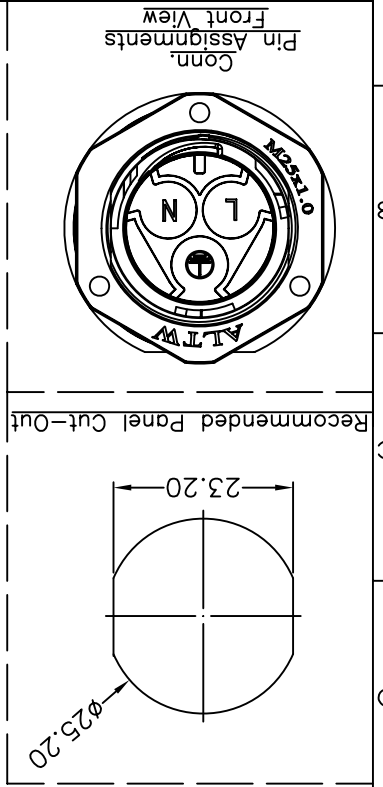


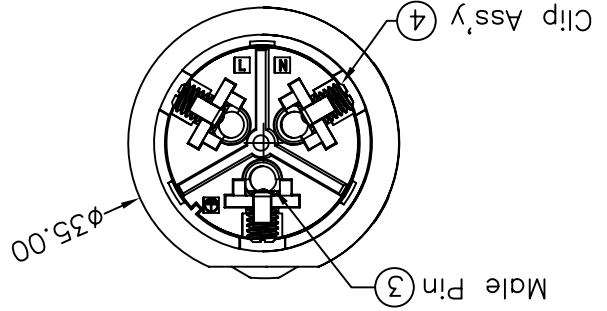
THIS DOCUMENT IS SUBJECT TO CHANGE WITHOUT NOTICE. IT IS CONFIDENTIAL AND A PROPERTY OF Amphenol LTW. DISCLOSURE TO THIRD PARTY HAS TO BE AUTHORIZED BY Amphenol LTW.

8 FMMW0702-01-01A2

REV.	ECN NO.	DATE	SIGN	DESCRIPTION



- Note:
- * @Important Dimensions To Check.
 - * Voltage (電壓) : AC 660V ; DC 1000V
 - * Current (電流) : 30A
 - * Please refer to manual for Assy instruction
 - * (使用方式請參閱組裝說明書)
 - * Standard (認證) : ULXXXX ; CSAXXXX ; TUVXXXXX
 - * Waterproof Rate (防水等級) : IP68_3M6H (Mating對插)
 - * Male Housing (母膠芯) : m-PPE(F1), Black (黑)
 - * Male Pin (公端子) : Copper (銅), Tin Plated (鍍錫)
 - * Gasket (墊片) : Silicone (矽樹脂), Gray (灰)
 - * Wire Size (導體尺寸) : 12~16AWG
 - * Flame Class (防火等級) : UL94V-0
 - * Recommended Panel Thickness: 0.5mm~8.0mm
 - * (建議面板厚度)
 - * One Set Assy instructions in one PE Bag.
 - * (每包袋子中含有組裝說明書)



1	UNIT:mm	TITLE	PV Connector 3Pin Panel	
	TOLERANCE X ±0.25 XX ±0.1 XXX ±1	SCALE Free	SHEET 1 OF 1	REV. A SIZE A4 @ : Inspection Item
2	REV. A	SCALE Free	SHEET 1 OF 1	CUSTOMER
3	REV. A	SCALE Free	SHEET 1 OF 1	安費諾亮泰企業股份有限公司
4	REV. A	SCALE Free	SHEET 1 OF 1	Amphenol LTW
5	REV. A	SCALE Free	SHEET 1 OF 1	LTWPWJ-03PMMB-LC8001
6	REV. A	SCALE Free	SHEET 1 OF 1	LTWPWJ-03PMMB-LC8001
7	REV. A	SCALE Free	SHEET 1 OF 1	LTWPWJ-03PMMB-LC8001
8	REV. A	SCALE Free	SHEET 1 OF 1	LTWPWJ-03PMMB-LC8001

X-ON Electronics

Largest Supplier of Electrical and Electronic Components

Click to view similar products for [AC Power Entry Modules](#) category:

Click to view products by [Amphenol](#) manufacturer:

Other Similar products are found below :

[0098.0050](#) [6-1609987-9](#) [6167.0002](#) [7-6609955-2](#) [FN389-4-22](#) [FN9233ER-12-06](#) [FN9233S1-10-06](#) [FN9233S1-8-06](#) [FN9233S1B-8-06](#)
[FN9233S1R-1-06](#) [FN9233S1R-12-06](#) [FN9233SB-1-06](#) [FN9233SB-12-06](#) [FN9233SB-8-06](#) [FN9233SR-10-06](#) [FN9233SR-3-06](#) [FN9244B-15-06](#)
[HI](#) [FN9244EB-3-06](#) [FN9244EB-8-06](#) [FN9244ER-15-06](#) [FN9244ER-8-06](#) [FN9244ES1-8-06](#) [FN9244ESB-8-06](#) [FN9244EU-6-06](#)
[FN9244R-12-06](#) [FN9244R-3-07](#) [FN9244R-8-06](#) [FN9244S1-10-06](#) [FN9244S1-12-06](#) [FN9244S1-3-06](#) [FN9244S1B-6-06](#) [FN9244S1R-3-06](#)
[FN9244S-6-06](#) [FN9244SB-10-06](#) [FN9244SB-6-06](#) [FN9244SB-8-06](#) [FN9244SR-10-06](#) [FN9244SR-6-06](#) [FN9244U-3-06](#) [FN9244U-8-06](#)
[FN9260A-6-06](#) [PE00SSSXB](#) [Fuse-H-EUR-1](#) [Fuse-H-USA-1](#) [PM00XD000](#) [PS0SSDBX0](#) [PS0SXSH3B](#) [A-0701-HT-H](#) [RAPC3FG](#) [15EJMS8](#)