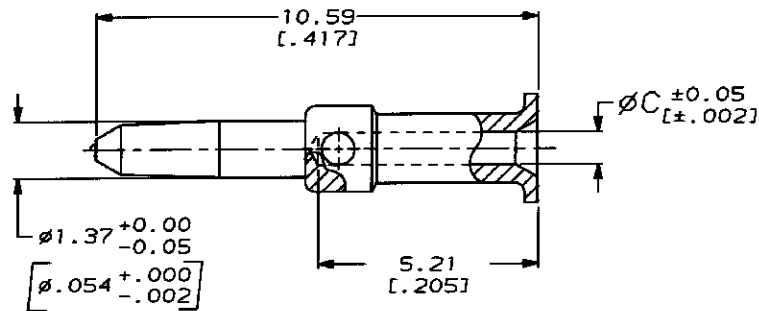
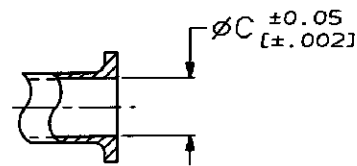


DRAWING MADE IN THIRD ANGLE PROJECTION
 THIS DRAWING IS UNPUBLISHED. RELEASED FOR PUBLICATION
 © COPYRIGHT 19 BY AMP INCORPORATED. ALL INTERNATIONAL RIGHTS RESERVED.

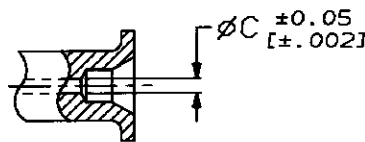
LOC	DIST	P	F	ZONE	LTR	DESCRIPTION	DATE	APPD
AJ	16					D REDWN, REV & ADD 2--8 PER AJ-4560	2-20-91	BAS
						E REV PER AJ-5802	11-12-91	JL



VIEW X



VIEW Y
 SAME AS VIEW X EXCEPT
 FOR DIMENSIONS SHOWN



VIEW Z
 SAME AS VIEW X EXCEPT
 FOR DIMENSIONS SHOWN

- ① BRASS PER QQ-B-626
- ② GOLD PLATE PER MIL-G-45204
1.27 μm [0.000050] MINIMUM THICK
- ③ GOLD PLATE PER MIL-G-45204
0.76 μm [0.000030] MINIMUM THICK
- ④ GOLD PLATE PER MIL-G-45204
2.54 μm [0.000100] MINIMUM THICK
- ⑤ SILVER PLATE PER QQ-S-365
2.54 μm [0.000100] MINIMUM THICK

X	0.79 [0.031]	④	2-331352-8
X	0.99 [0.039]	⑤	2-331352-7
X	0.79 [0.031]	⑤	2-331352-6
Z	0.36 [0.014]	③	2-331352-5
X	0.79 [0.031]	④	2-331352-3
X	1.09 [0.043]	③	2-331352-2
Y	1.40 [0.055]	③	2-331352-0
X	0.99 [0.039]	③	1-331352-7
X	1.19 [0.047]	③	1-331352-6
X	0.46 [0.018]	③	1-331352-4
X	0.61 [0.024]	③	1-331352-2
X	0.79 [0.031]	②	1-331352-0
VIEW	C	FINISH	PART NUMBER

DO NOT SCALE PRINT. UNLESS SPECIFIED DIMENSIONS IN mm [INCHES]			PART NO		
TOLERANCES ON:			AMP Incorporated Harrisburg, PA 17105-3608		
2 PLC DEC ± 0.20 [0.008]			NAME CONTACT, MALE, DUAL CRIMP, SERIES BNC		
3 PLC DEC ± -					
ANGLES ± 5°			DRAWING NO 331352		
MATERIAL ①			CAGE CODE 00779		
FINISH SEE TABLE			SCALE 10:1		
DR 2-20-91 B. SCOTT			SHEET 1 OF 1		
CHK 3-18-91 J. LIPPERT					
APPD 4-3-91 H. PHILLIPS					
APPD 4-3-91 J. LIPPERT					
PRODUCT SPEC -					
APPLICATION SPEC -					
WEIGHT -					

CUSTOMER DRAWING

X-ON Electronics

Largest Supplier of Electrical and Electronic Components

Click to view similar products for [RF Connectors / Coaxial Connectors](#) category:

Click to view products by [TE Connectivity](#) manufacturer:

Other Similar products are found below :

[R125315120](#) [8915-1511-000](#) [89674-0827](#) [5916-1103-603](#) [0106-001-000](#) [6-0001-3](#) [6001-7071-019](#) [6002-7051-003](#) [6002-7551-202](#) [6059674-1](#) [619550-1](#) [630059-000](#) [M39012/25-0021](#) [M39012/79-3008](#) [M39030/3-01N](#) [M39030/3-03N](#) [M3933/25-29N](#) [M3933/25-36N](#) [6500-7071-046](#) [6501-1071-002](#) [M83723/72W24576](#) [M83723/72W2457N](#) [6769](#) [CX050L2AQ](#) [7002-1541-010](#) [7003-1572-002](#) [7004-1512-000](#) [7009-1511-004](#) [7010-1511-000](#) [7029-1511-060](#) [7101-1541-010](#) [7101-1571-002](#) [7105-1521-002](#) [7145-1521-002](#) [7209-1511-011](#) [7210-1511-012](#) [7210-1511-015](#) [7210-1511-019](#) [7210-1511-040](#) [7225-1512-050](#) [7242-1511-000](#) [73137-5015](#) [73216-2241](#) [73251-0111](#) [73251-0672](#) [73276-1501](#) [73366-0013](#) [73404-2300](#) [73413-6080](#) [734151610](#)