

# Q125L series

## Ø125mm LED Steady/ Flashing Signal Lights



Q125L



Q125LW

Wall mount type models allow for contained and tidy wiring with no exposed wires.



### Common Specifications(Q125L/ Q125LW/ Q125LP)

- Standard-sized signal lights of Ø125mm with attractive appearance
- Shock and vibration-resistant, maintenance reduced with long-lasting energy-efficient LED light bulbs
- Selectable mounts available depending on your application environment (direct mount, wall mount, pole mount)
- Materials : Lens-PC, Housing-ABS, Wall mount bracket-PC
- Features high visibility by applying a special diffusive lens and direct LED light distribution system
- Built-in buzzer available (Volume : Max 80dB at 1m)
- Built-in switches for steady and flashing light function mode
- Flashing rate : 60-80 flashes/min
- Ambient operating temperature : -30°C to +50°C
- Protection rating : IP65
- Certificates : CE Compliant, UL Listed
- Compliant with RoHS directive

Model number	Voltage	Current	Certificates	Weight	Color
Q125L Q125LW Q125LP	DC12V-24V	Max 0.255A	DC only	• Q125L-0.34kg • Q125LW-0.76kg • Q125LP-1.28kg (Weight above include QZ24)	• R-Red • A-Amber • G-Green • B-Blue
	AC110V-220V	Max 0.067A	DC only		

※ DC type model has a free-voltage range of 10V-30V.  
 ※ AC type model has a free-voltage range of 100V-240V.



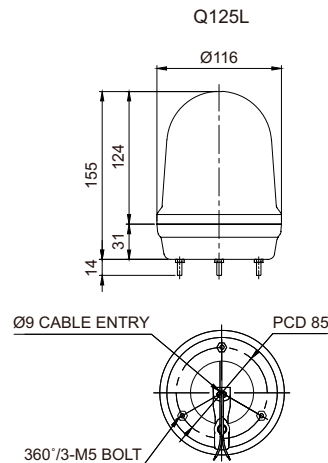
### Q125L Direct Mount LED Steady/ Flashing Signal Light

- Direct mount type with the three bolts located on the bottom of the product



#### Technical Diagram

(Units : mm)



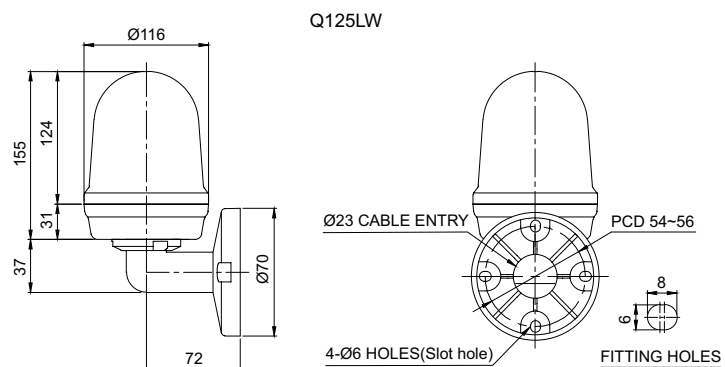
### Q125LW Wall Mount LED Steady/ Flashing Signal Light

- Wall mount type with the bracket equipped



#### Technical Diagram

(Units : mm)



# Q125L series

## Ø125mm LED Steady/ Flashing Signal Lights



**Q125LP**

The picture for QZ24 equipped



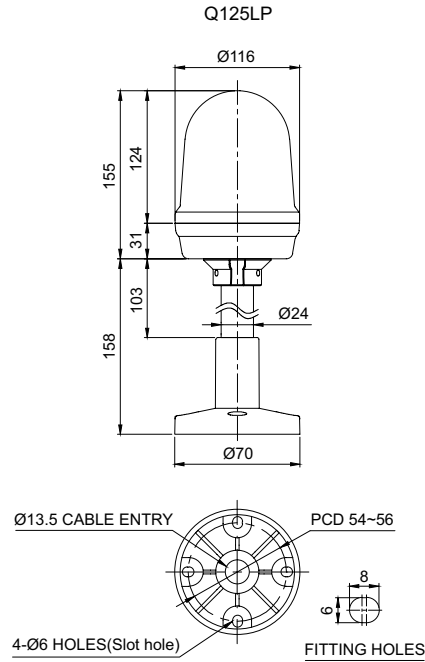
### Q125LP Pole Mount LED Steady/ Flashing Signal Light

- Pole mount type
- Selectable mounting bracket available depending on the installation requirements



#### Technical Diagram

(Units : mm)



#### Wiring Instructions

- External power line standard : UL1015 AWG18(0.75sq)×2C 400mm
- Product can be wired regardless of polarity



#### Mounting Bracket

Standard	QZ24	SZ24	SL24	QLA24
Steel	PC	Al	Al	PC



\* Please refer to page32-37 for detailed dimension of mount bracket.



#### Customization

- Customized pole length available

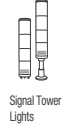


#### Ordering Specification

Q125LP	BZ	12/24	R	QLA24
[Model number]	[Buzzer option]	[Voltage]	[Color]	[mount bracket]
<ul style="list-style-type: none"> <li>• Q125L</li> <li>• Q125LW</li> <li>• Q125LP</li> </ul>	<ul style="list-style-type: none"> <li>• None</li> <li>- No buzzer</li> <li>• BZ</li> <li>- Built-in buzzer</li> </ul>	<ul style="list-style-type: none"> <li>• 12/24</li> <li>-DC12V-24V</li> <li>• 110/220</li> <li>-AC110V-220V</li> </ul>	<ul style="list-style-type: none"> <li>• R-Red</li> <li>• A-Amber</li> <li>• G-Green</li> <li>• B-Blue</li> </ul>	<ul style="list-style-type: none"> <li>• None</li> <li>- Standard</li> <li>• Bracket</li> <li>- QZ24</li> <li>- SZ24</li> <li>- SL24</li> <li>- QLA24</li> </ul>



QLA24 bracket allows for angle adjustment of 0, 45, 90 degrees by using of angle adjustment button without additional tools.



## X-ON Electronics

Largest Supplier of Electrical and Electronic Components

*Click to view similar products for [Audio Indicators & Alerts](#) category:*

*Click to view products by [QLIGHT](#) manufacturer:*

Other Similar products are found below :

[M2BJ-BH24E](#) [6-4](#) [68S1240-PA](#) [MBA-624](#) [F/BC 40P-DR LF](#) [FDG111PLF](#) [F/NRMB 24 BLACK LF](#) [PF-35N29WQ](#) [PFD-27A35PQ](#) [PL-27A35PSQ](#) [PS-531Q](#) [AB2020B-2-LW1](#) [EBPT-401](#) [PB06SD12AP](#) [PB-1220PEQ](#) [S6109](#) [SC2036ACP](#) [SC616N-2](#) [SC628FW](#) [SC628MPG](#) [SC648D](#) [SCS045MD9DT3S](#) [AB2025B-LW50-R](#) [ESZ-25B-5-250B](#) [F/BC 35-DR LF](#) [FCM12PLF](#) [F/EB20P-DR LF](#) [F/HU110MP24V-IP67B](#) [LF](#) [AI-2835-TF-LW150-2-R](#) [AI-4228-TF-LW305-R](#) [FSMD8585JSLF](#) [FSS-26T](#) [F/SU 21-02 LF](#) [F/TCW 05 WITH LABEL LF](#) [F/UCW 03 WITH LABEL LF](#) [F/UCW 06 WITH LABEL LF](#) [PKM22EPPH40S1-B0](#) [PKM35-4A0](#) [PL-35N29WQ](#) [PLD-27A35PQ](#) [PS-552Q](#) [CM-5](#) [M2BJ-BH24E-D](#) [REF-202](#) [LSC628ANR](#) [5-100](#) [PAL-328](#) [03-810.001](#) [RTO-1R07-001](#) [PL-21N31PQ](#) [PF-27A25PSQ](#)