

QWCD series

LED Strobe Signal Light and Electric Horn Combinations

A new concept of using the horn cover as a light globe

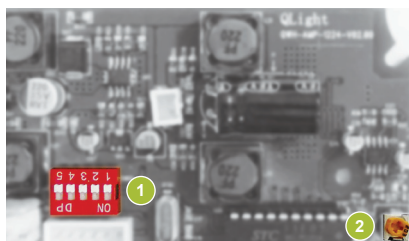


QWCD series is a patented product with an integrated horn and light globe.
(Patent registration : 10-1452447 horn having a light emitting part)

QWCD series	
QWCD35	Built-in standard sound
QWCD35SD	MP3(SDcard)
QWCD50	Built-in standard sound, large output sound
QWCD50SD	SDcard(MP3). Large output sound

- By using the horn cover as a light globe, the size of the product has been reduced significantly
- The color of light can be selected from red, yellow, green, or blue
- Product has two models : the basic model with 31 built-in sounds, and an external sound (MP3) type model
- Includes seven different playback functions; one function is the continuous playback function which provides constant message notification
- There are 31 built-in sounds that can be played in various environments, and supports a Binary input method
- You can save and play up to 31 mp3 files using a external SDcard
- Can easily set up the sounds using a PC
- By making the horn cover with polycarbonate (PC) material, The product has excellent durability and weather resistance
- Can be used for heavy-duty, ship, or outdoor use which requires waterproof, dustproof structure (IP66)

Built-in sound type



- 1 Sound selection switch
- 2 Volume

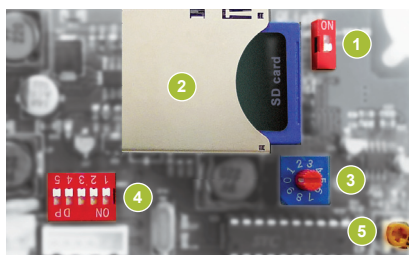
The input method of built-in sound type

No.	1	2	3	4	5
0	0	0	0	0	0
1	0	0	0	0	1
2	0	0	0	1	0
:	:	:	:	:	:
31	1	1	1	1	1

Built-in sound type model supports Binary input mode which provides a selection of 31 different input combinations for five kinds of sounds.

You can only select 2 numbers with 1 switch; "0", "1". With 5 switches you can have 31 combinations. Selecting one sound from 5 switches is the Binary input method.

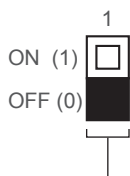
SDcard(MP3) type



- 1 Sound setting switch
- 2 MP3 playable SDcard
- 3 Play mode setting switch
- 4 Sound select switch
- 5 Volume

The sound selection method of SDcard type

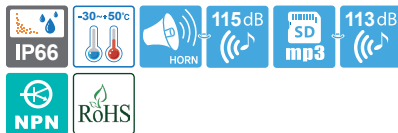
Can easily select built-in sound or external sound(MP3) by using the sound selection switch.



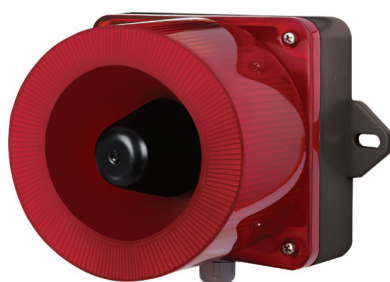
The sound selection
0 : Select built-in sound
1 : Select SDcard

- 31 built-in special warning sounds
- Supports SDcard (MP3)
- Binary Input : 5Ch
- Bit Input : 5Ch (SDcard only)
- A multifunctional product that can play MP3 files using an SDcard
- Please refer to page 24 for detailed settings
- Built-in sound is set to #1 as default

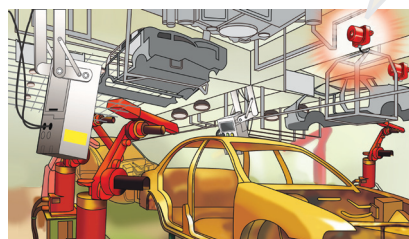
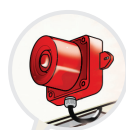
QWCD series



- Qlight's exclusive innovative design - the horn cover emits light!
- Combination of 31 sound options built in and SD Card(MP3) option



QWCD35 series



QWCD35 model applied in an automobile production plant environment.

LED Strobe Signal Light and Electric Horn Combinations

Common Specifications(QWCD35/ QWCD35SD/ QWCD50/ QWCD50SD)

- Easy device customization with built in sound selection function, volume adjustment function and an SDcard slot for user inputted tones
- 31 available tones that can be selected for a variety of environments
- The user can select their own tones by inputting the MP3 file directly into the SDcard
- 31 pre-recorded tones available via binary input
- Suitable for use in environments that require a tight seal and superior dust protection rated IP66
- Flashing rate : 60-80 flashes/min(steady/flashing mode selection available in built in switch)
- Materials : Horn-PC, Body-ABS
- Ambient operating temperature : -30°C to +50°C
- Protection Rating : IP66
- Certificates : CE Compliant, UL Listed
- Compliant with RoHS directive

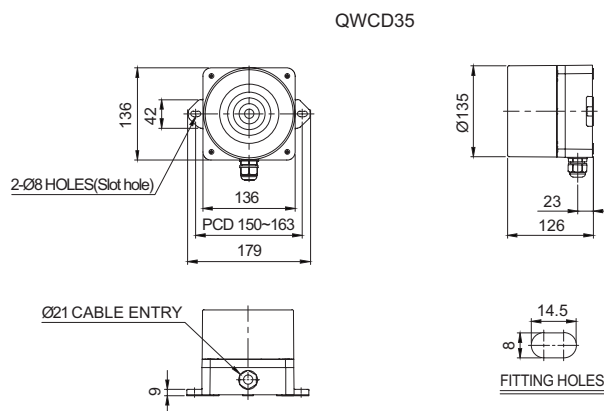
QWCD35 LED Strobe Signal Light and Electric Horn Combination

Model number	Voltage	Current	Sound Pattern and Volume	Certificates	Weight	Color
QWCD35 Built-in standard sound	DC12V-24V	Max 1.025A	• Bit Input : 5Ch (SDcard) • Binary Input : 31Ch	CE DC Only	1.10kg	• R-Red • A-Amber • G-Green • B-Blue
QWCD35SD MP3	AC110V-220V	Max 0.360A	• Warning Sounds : 115dB • MP3 Messages : 113dB	UL DC Only	1.15kg	

※ DC type model has a free-voltage range of 10V-30V.
 ※ AC type model has a free-voltage range of 100V-240V.

Technical Diagram

(Units : mm)



Customization

- External signal line available for users to connect their own sound input (Model number : -LC)

Ordering Specification

QWCD35	110/220	R	LC
[Model number]	[Voltage]	[Color]	[sound selection]
• QWCD35 • QWCD35SD	• 12/24 • -DC12V-24V • 110/220 • -AC110V-220V	• R-Red • A-Amber • G-Green • B-Blue	• Standard • -Built-in switch • LC • -External contact



Warning/Signal/Stackable



Signal & Electric Horn/Speakers



Vessels and Heavy-Duty Equipment



Explosion Proof



Warning Light Bar



Aviation Obstruction Lights



Signal Tower Lights



USB/ETN Signal Tower Lights



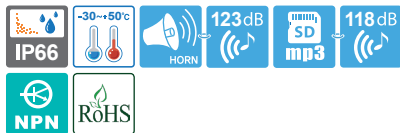
Electric Horn/Speakers



Industrial LED Lights

QWCD series

LED Strobe Signal Light and Electric Horn Combinations



• Qlight's exclusive innovative design - the horn cover emits light!

• Combination of 31 sound options built in and SD Card(MP3) option



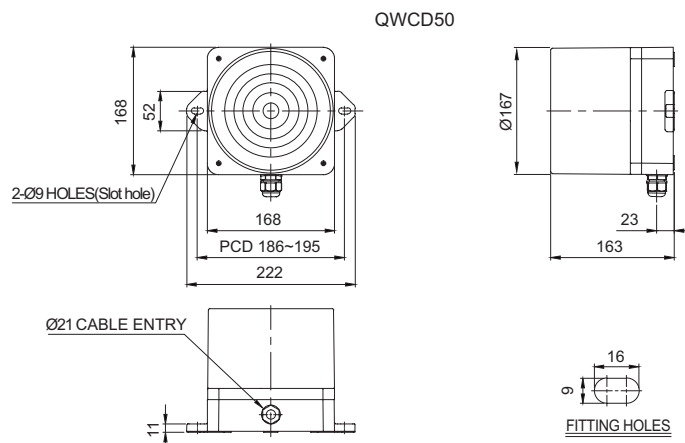
QWCD50 series

QWCD50 LED Strobe Light and Electric Horn Combination

Model number	Voltage	Current	Sound Pattern and Volume	Certificates	Weight	Color
QWCD50	DC12V	2.025A	• Bit Input : 5Ch (SDcard)		2.40kg	<ul style="list-style-type: none"> • R-Red • A-Amber • G-Green • B-Blue
Built-in standard sound	DC24V	1.150A	• Binary Input : 31Ch		2.40kg	
QWCD50SD MP3	AC110V-220V	Max 0.600A	• Warning Sounds: 123dB • MP3 Messages : 118dB		2.45kg	

※ AC type model has a free-voltage range of 100V-240V.

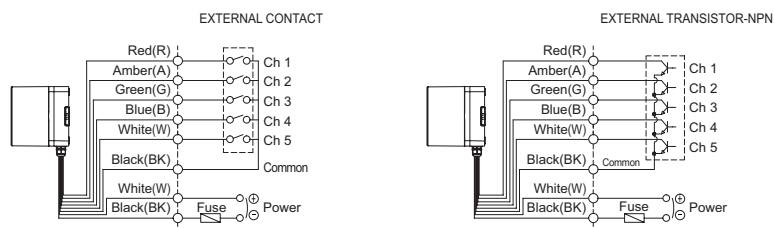
Technical Diagram (Units : mm)



Wiring Instructions

- Standard specification : Use internal switches
- Customization : Use external contact

QWCD-DC/AC



- Wiring to external contact and transistor
- Wiring to transistor, use the NPN transistor
- Power line standard UL1015 AWG18(0.75sq)×2C 400mm
- Signal line standard UL1007 AWG22(0.3sq) 400mm
- DC type : Black output line is negative(-)
- Channel selection : Bit input, 5 sound tones for each group
- Binary input 30 sound tones output

* Please refer to Page 24 for set of channel input.
(If wiring is changed by channel selection switch)

Customization

- External sound selection line(Model number : -LC)

Ordering Specification

QWCD50	-	110/220	-	R	-	LC
[Model number]		[Voltage]		[Color]		[sound selection]
<ul style="list-style-type: none"> • QWCD50 • QWCD50SD 		<ul style="list-style-type: none"> • 12-DC12V • 24-DC24V • 110/220 • AC110V-220V 		<ul style="list-style-type: none"> • R-Red • A-Amber • G-Green • B-Blue 		<ul style="list-style-type: none"> • Standard • -Built-in switch • LC • -External contact

X-ON Electronics

Largest Supplier of Electrical and Electronic Components

Click to view similar products for [Audio Indicators & Alerts](#) category:

Click to view products by [QLIGHT](#) manufacturer:

Other Similar products are found below :

[M2BJ-BH24E](#) [6-4](#) [68S1240-PA](#) [MBA-624](#) [F/BC 40P-DR LF](#) [FDG111PLF](#) [F/NRMB 24 BLACK LF](#) [PF-35N29WQ](#) [PFD-27A35PQ](#) [PL-27A35PSQ](#) [PS-531Q](#) [AB2020B-2-LW1](#) [EBPT-401](#) [PB06SD12AP](#) [PB-1220PEQ](#) [S6109](#) [SC2036ACP](#) [SC616N-2](#) [SC628FW](#) [SC628MPG](#) [SC648D](#) [SCS045MD9DT3S](#) [AB2025B-LW50-R](#) [ESZ-25B-5-250B](#) [F/BC 35-DR LF](#) [FCM12PLF](#) [F/EB20P-DR LF](#) [F/HU110MP24V-IP67B](#) [LF](#) [AI-2835-TF-LW150-2-R](#) [AI-4228-TF-LW305-R](#) [FSMD8585JSLF](#) [FSS-26T](#) [F/SU 21-02 LF](#) [F/TCW 05 WITH LABEL LF](#) [F/UCW 03 WITH LABEL LF](#) [F/UCW 06 WITH LABEL LF](#) [PKM22EPPH40S1-B0](#) [PKM35-4A0](#) [PL-35N29WQ](#) [PLD-27A35PQ](#) [PS-552Q](#) [CM-5](#) [M2BJ-BH24E-D](#) [REF-202](#) [LSC628ANR](#) [5-100](#) [PAL-328](#) [03-810.001](#) [RTO-1R07-001](#) [PL-21N31PQ](#) [PF-27A25PSQ](#)