

ASK / FSK Radio Receiver Module

RC-RFSK2-XXX is an ASK / FSK Radio Receiver Module with PLL Synthesizer and crystal oscillator. The RC-RFSK2 can demodulate ASK or FSK signals according to ASK/FSK pin selector. Single Line Package with power down mode and RSSI Output.



RF Sensitivity = 102dBm

Applications :

- Wireless security systems
- Home and building automation
- Automatic Measure Reading
- Wireless Sensor Network

XXX: 433.92MHz / 868.35MHz

Technical Characteristics

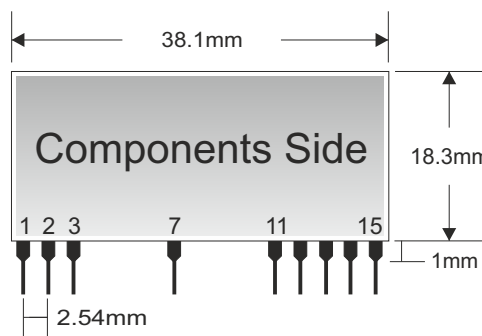
Characteristics	MIN	TYP	MAX	UNIT
V _{cc} Supply Voltage	4.5		5.5	Vdc
I _s Supply Current (Operation mode)		5.7	6.8	mA
I _s Supply Current (Shut down mode)			100	nA
F Frequency		433.92 / 868.35		MHz
D Max Data Rate			4.8	Kbit/s
S RF Sensitivity		102 / 100		dBm
B 3dB Bandwith		± 150		KHz
L Level of emitted spectrum			70	dBm
T Power Up Time (from Power to stable data)			8	ms
T1 Power Up Time1 (from PD to stable data)			5	ms
TE Operating Temperature Range	-25		+80	°C

Pin Description

Pads	Name	Description
1	VCC	Vcc Power
2	GND	Ground
3	IN	Antenna
7	GND	Ground
11	GND	Ground
12	ASK /FSK	ASK (+5V) / FSK (0Volt)
13	RSSI	Received Signal Strenght Output
14	OUT	Data Out
15	PD	Power down

PD = LOW ----> RX OFF
 PD = HIGH ----> RX ON

Mechanical Dimensions

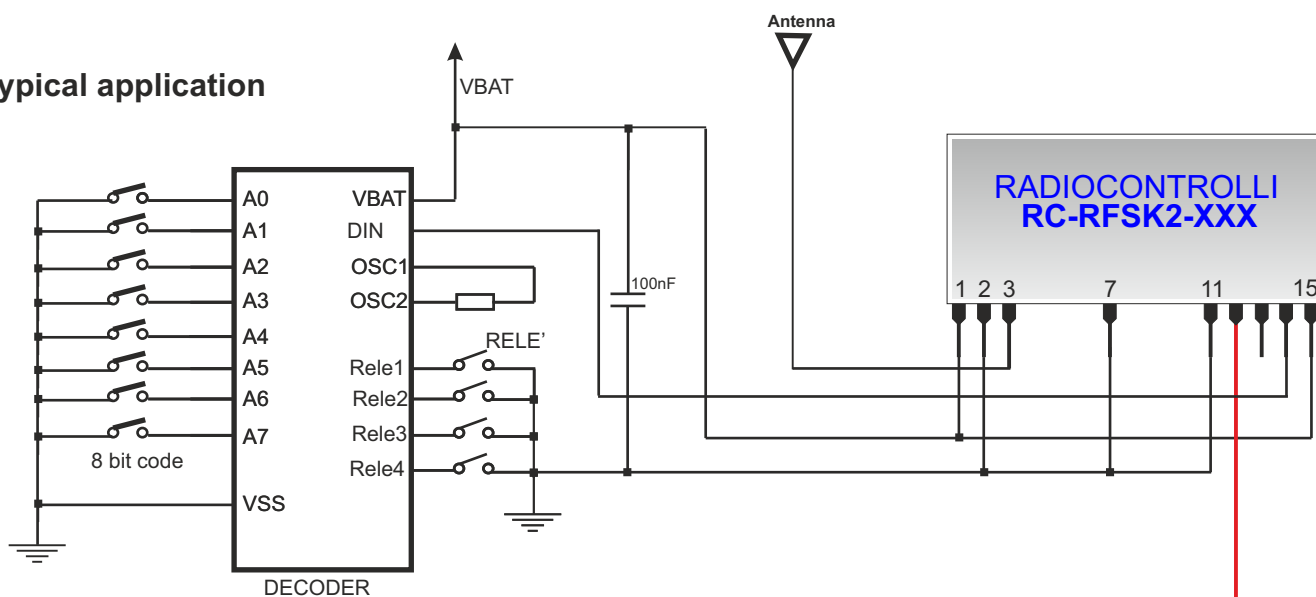


RSSI Output

The RSSI provides a DC Voltage proportional to the peak value of the receive data signal. This output can be used as an indicator for the received signal strength to use in wake-up circuits and other application.

RF IN (dBm)	RSSI (Volt)
- 120 dBm	1.20 Volt
- 110 dBm	1.32 Volt
- 100 dBm	1.50 Volt
- 90 dBm	1.78 Volt
- 80 dBm	2.06 Volt
- 70 dBm	2.35 Volt
- 60 dBm	2.62 Volt
- 50 dBm	2.72 Volt
- 40 dBm	2.75 Volt

Typical application



Pin selector ASK/FSK

ASK = +5Volt
FSK = 0Volt

X-ON Electronics

Largest Supplier of Electrical and Electronic Components

Click to view similar products for [RF Modules](#) category:

Click to view products by [Radiocontrolli](#) manufacturer:

Other Similar products are found below :

[HMC-C009](#) [nRF24L01P-MODULE-PCB](#) [HMC-C001](#) [HMC-C021](#) [HMC-C024](#) [XB9XT-DPRS-721](#) [XBP24BZ7PIT-004J](#) [XBP9B-DMUTB022](#)
[nRF24L01P-MODULE-SMA](#) [CMD-KEY2-418-CRE](#) [XM-C92-2P-UA](#) [XB9XT-DPUS-721](#) [V640-A90](#) [HMC-C583](#) [MAAM-008818-TR3000](#)
[MTSMC-H5-U](#) [SIMSA868-PRO](#) [SIMSA915C-PRO](#) [SIMSA868C-PRO](#) [SIMSA433C-PRO](#) [SIMSA915-PRO](#) [XBP9B-DMUT-042](#) [HMC-C582](#)
[HMC-C022](#) [XBP9B-DPST-041](#) [XBP9B-DMWT-042](#) [SM-MN-00-HF-RC](#) [HMC-C031](#) [MT-02](#) [M1002GB](#) [702-W](#) [SIMSA868C-N-PRO](#)
[SIMSA433C-N-PRO](#) [SIMSA915C-N-PRO](#) [PEPPER WIRELESS C1 USB](#) [S2-1050J-Z0K4J](#) [S2-10732-Z1T61](#) [S2-10716-Z1W4E](#) [S2-107ET-Z1W6D](#)
[S2-10686-Z1L1D](#) [S2-10688-Z1L1T](#) [S2-106BA-Z1P20](#) [UC15EA-MINIPCIE](#) [SU60-2230C-PU](#) [TR-72DAT](#) [TR-76DA](#) [650201454G](#) [HM-TRLR-D-232-868](#) [HM-TRLR-D-TTL-433](#) [HM-TRLR-D-485-868](#)