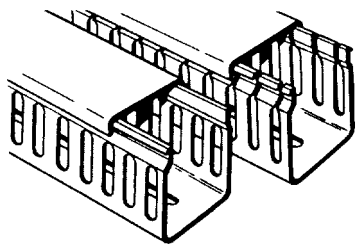


218-121 | +133 | +145 | +157

Betaduct® cable trunking

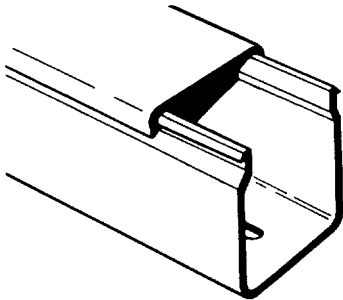
The Betaduct system offers a neat, easy-to-work method of containing and routing multi-way cable runs in control cabinets and other types of electrical installation. It provides rigid, corrosion-free protection and secondary insulation.



Slotted trunking For control panels

Betaduct trunking, with its open or closed slotted sides, is ideal for use within cabinets and control panels. It is base slotted to

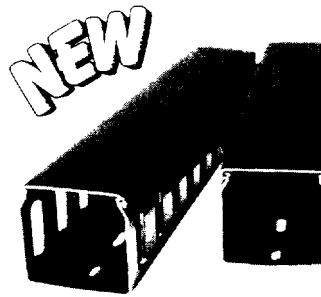
DIN 43659 and supplied complete with lid. Available in black, grey or blue PVC, and brown Noryl. Approved by Lloyds Register of Shipping.



Plain ducting For electrical installation

For complete protection of cables in electrical installations – or control panels where frequent side access is not required. Plain trunking provides an easy-to-work cable duct of

excellent appearance. Available in black, grey or blue PVC, and brown Noryl. Complete with lid. Approved by Lloyds Register of Shipping.



Noryl®

Noryl Betaduct (brown) is designed for use in confined areas where human life could be at risk. The products of combustion are free from toxic halogens. Noryl also has a UL-94 V₀ flammability

rating. Germanische Lloyd approved. Service temperature range: -65°C to +140°C. Complete with lid.

PVC

PVC Betaduct provides a light-weight, self-extinguishing cable channel with excellent rigidity and insulating properties. PVC Betaduct is available in black and grey in 9 sizes with plain, open or closed-slotted sides and is supplied complete with lid. Service temperature range: -25°C to +60°C. CSA approval LR40012. Approved by Lloyds Register of Shipping.

Accessories

Divider Provides separated channels within one duct. Mounted on insulating washers.

Rivets Applied with hand rivetter for speedy fixing of Betaduct to panels without the need for rear access.

Lids Additional packs of lid section are available in PVC and Noryl. For identifying intrinsically safe circuits, blue PVC lids are also available.

Open slot

Divider wall

Closed slot

Plain

Betaduct cable trunking

Size (nom)	External dimensions w × h mm	Slot width mm	Packed (in 2m lengths) m	Order code			
				Black PVC	Grey PVC	Blue PVC	Brown Noryl
Control Panel Trunking, Closed Slot							
15/15	17 × 17	11	24	0900	09008	09006	-
25/20	29 × 23	5	24	0901	09018	09016	-
25/35	29 × 38	8	24	0902	09028	09026	2302
25/50	29 × 53.5	8	24	0903	09038	09036	-
25/75	29 × 79	8	16	0904	09048	09046	-
50/25	54.5 × 28.5	8	24	0938	-	09386	-
50/50	54.5 × 53.5	8	16	0906	09068	09066	2306
50/75	54.5 × 79	8	16	0907	09078	09076	-
75/75	80 × 79	8	16	0909	09098	09096	2309
125/75	130 × 79	8	8	0940	09408	09406	-
Control Panel Trunking, Open Slot							
25/35	29 × 38	8	24	0912	09128	09126	-
25/50	29 × 53.5	8	24	0913	09138	09136	-
25/75	29 × 79	8	16	0914	09148	09146	-
50/25	54.5 × 28.5	8	24	-	09398	-	-
50/50	54.5 × 53.5	8	16	0916	09168	09166	-
50/75	54.7 × 79	8	16	0917	09178	09176	-
75/75	80 × 79	8	16	0919	09198	09196	-
125/75	130 × 79	8	8	0941	09418	09416	-
Installation Ducting, Plain							
15/15	17 × 17	-	24	0920	09208	09206	-
25/20	29 × 23	-	24	0921	09218	09216	-
25/35	29 × 38	-	24	0922	09228	09226	2322
25/50	29 × 53.5	-	24	0923	09238	09236	-
25/75	29 × 79	-	16	0924	09248	09246	-
50/50	54.5 × 53.5	-	16	0926	09268	09266	2326
50/75	54.5 × 79	-	16	0927	09277	09276	-
75/75	80 × 79	-	16	0929	09298	09296	2329
125/75	130 × 79	-	8	0942	09428	09426	-

Betaduct lids

For trunking size	Packed (in 2m lengths) m	Order code			
		Blue* PVC	Black PVC	Grey PVC	Brown Noryl
15/-	24	-	0931	09318	-
25/-	24	09336	0933	09338	2333
50/-	24	09346	0934	09348	2334
75/-	24	09356	0935	09358	2335
125/-	12	09376	0937	09378	-

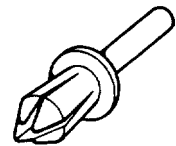
*For identifying intrinsically safe circuits

Dividers

For trunking size	Wall height	Packed (in 2m lengths) m	Order code		
			Black PVC	Grey PVC	Brown Noryl
-/35	26	8	1038	10388	-
-/50	45	8	1039	10398	-
-/75	70	8	1040	10408	-

Insulating washers

Internal diameter	Packed	Order code
3.7m	50	1044

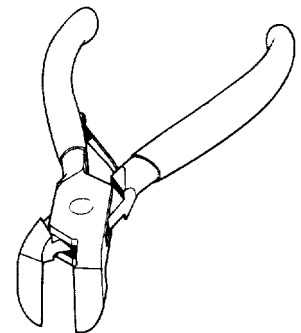


Betaduct rivets

For Betaduct size	Panel hole dia mm	Packed	Order code
15 × 15	3.25-3.5	100	1049
All other sizes	5.5-6.0	100	1050

Rivetter for large rivets

Description	Packed	Order code
Rivetter	1	1858



Betaduct side cutters

Description	Packed	Order code
Cutter	1	1857

BETADUCT CABLE TRUNKING

SELECTION GUIDE - MATERIAL



Operating temperature: -15°C to $+60^{\circ}\text{C}$



Limited Oxygen Index (LOI): $\geq 43\%$ O₂ (In house testing)



C. S. A. File Number: LR-40012



Flammability: UL 94 Vo (In house testing)



Surface Spread of Flame: Class One (BS476 Part 7)



Resistance of Flame Propagation: meets all requirements of BS4768 Part 4.

PVC Betaduct provides a lightweight, self-extinguishing cable trunking with excellent rigidity and insulating properties.
Supplied complete with lid.

PRODUCT DATA

<u>ORDER CODE</u>	09138-1
<u>MATERIAL</u>	PVC
<u>PACK SIZE</u>	4 x 1 metres
<u>COLOUR</u>	Grey
<u>SIDE SLOTS</u>	Open
<u>SIZE (W x H)</u>	25 / 50 mm

X-ON Electronics

Largest Supplier of Electrical and Electronic Components

Click to view similar products for [CRITCHLEY](#) manufacturer:

Other Similar products are found below :

[CRITCHLEY](#)