

AM Superhet receiver 868.35MHz

RCRX-868 is an AM superhet data receiver module. ASK/OOK Modulation. Metallic shield. Miniaturized version (SMD mounting). Available 3Volt and 5Volt.

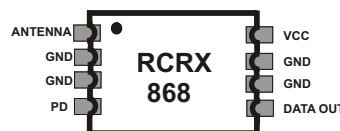


Technical Characteristics

Characteristics	MIN	TYP	MAX	UNIT
V _{cc} Supply Voltage	3.0 / 4.4		3.6 / 5.0	Vdc
I _s Current Consumption (RX mode)		10		mA
I _s Current Consumption (Shut down mode)		<100		nA
F Frequency		868.35	868.45	MHz
S RF Sensivity	-108		-112	dBm
T Rise Time			<100	ms
D Max Data Rate		10		Kbit/s
B RF Bandwidth 3dB		360		KHz
T Operating Temperature Range	-20		+80	°C

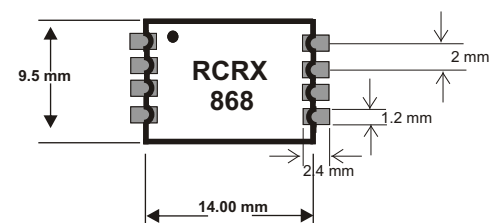
Pin Description

Pads	Name	Description
1	ANT	External antenna
2,3	GND	Ground
4	PD	Power Down
5	DOUT	Data Out
6,7	GND	Ground
8	VCC	Power Supply

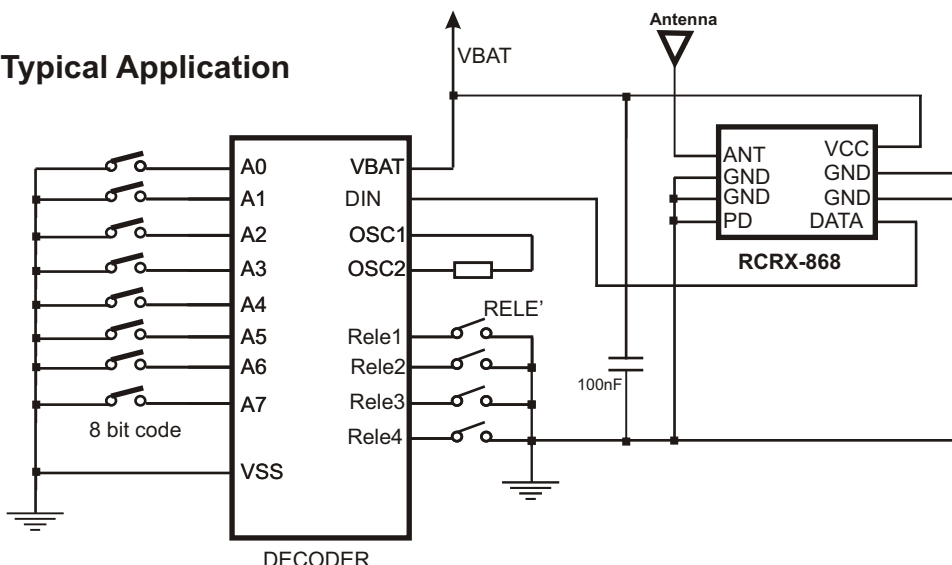


PD = 0V ----> RX ON
 PD = 5V ----> RX OFF

Mechanical dimensions



Typical Application



Applications :

- Wireless security systems
- Home and building automation
- Automatic Measure Reading
- Wireless Sensor Network

**ETSI EN 300 220
 COMPLIANCE**

X-ON Electronics

Largest Supplier of Electrical and Electronic Components

Click to view similar products for [RF Modules](#) category:

Click to view products by [Radiocontrolli](#) manufacturer:

Other Similar products are found below :

[HMC-C009](#) [nRF24L01P-MODULE-PCB](#) [HMC-C001](#) [HMC-C021](#) [HMC-C024](#) [XB9XT-DPRS-721](#) [XBP24BZ7PIT-004J](#) [XBP9B-DMUTB022](#)
[nRF24L01P-MODULE-SMA](#) [CMD-KEY2-418-CRE](#) [XM-C92-2P-UA](#) [XB9XT-DPUS-721](#) [V640-A90](#) [HMC-C583](#) [MAAM-008818-TR3000](#)
[MTSMC-H5-U](#) [SIMSA868-PRO](#) [SIMSA915C-PRO](#) [SIMSA868C-PRO](#) [SIMSA433C-PRO](#) [SIMSA915-PRO](#) [XBP9B-DMUT-042](#) [HMC-C582](#)
[HMC-C022](#) [XBP9B-DPST-041](#) [XBP9B-DMWT-042](#) [SM-MN-00-HF-RC](#) [HMC-C031](#) [MT-02](#) [M1002GB](#) [702-W](#) [SIMSA868C-N-PRO](#)
[SIMSA433C-N-PRO](#) [SIMSA915C-N-PRO](#) [PEPPER WIRELESS C1 USB](#) [S2-1050J-Z0K4J](#) [S2-10732-Z1T61](#) [S2-10716-Z1W4E](#) [S2-107ET-Z1W6D](#)
[S2-10686-Z1L1D](#) [S2-10688-Z1L1T](#) [S2-106BA-Z1P20](#) [UC15EA-MINIPCIE](#) [SU60-2230C-PU](#) [TR-72DAT](#) [TR-76DA](#) [650201454G](#) [HM-TRLR-D-232-868](#) [HM-TRLR-D-TTL-433](#) [HM-TRLR-D-485-868](#)