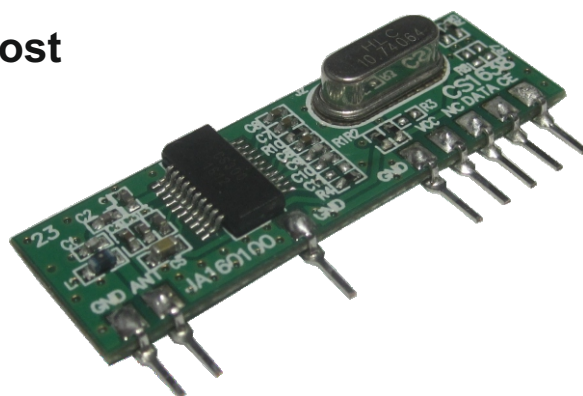


## 433.92MHz AM Superhet receiver Low Cost

**RCRX5-434** is an AM superhet data receiver with PLL synthesizer and crystal oscillator. ASK/OOK modulation. Very Low Cost version.



### Technical Characteristics

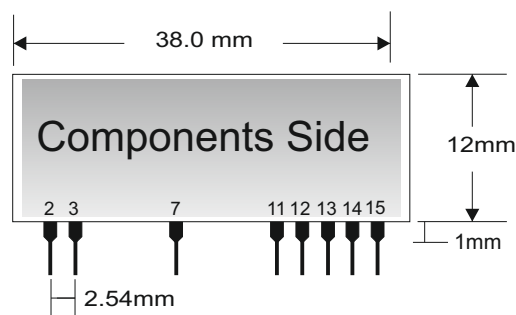
Characteristics	MIN	TYP	MAX	UNIT
V <sub>CC</sub> Supply Voltage	2.2		5.2	VDC
I <sub>s</sub> Supply Current ( RX mode )		5.5		mA
I <sub>s</sub> Current Consumption (Shut down mode)		1		μA
S RF Sensitivity		-108		dBm
D Max Data Rate		10		Kbit/s
B RF Bandwidth 3dB		300		KHz
T Operating Temperature Range	-20		+80	°C

### PIN OUT

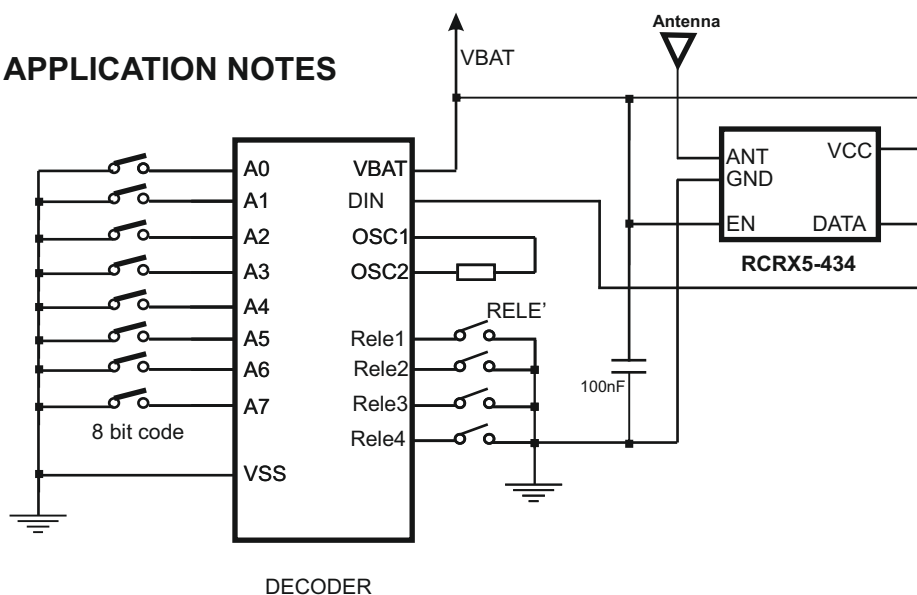
Pads	Name	Description
2	GND	Ground
3	IN	Antenna
7	GND	Ground
11	GND	Ground
12	VCC	VCC
13	----	Not Used
14	OUT	Data Out
15	EN	Enable

EN = 0V ----> RX OFF

### Mechanical dimensions



### APPLICATION NOTES



### Applications :

- Wireless security systems
- Home and building automation
- Automatic Measure Reading
- Wireless Sensor Network

## X-ON Electronics

Largest Supplier of Electrical and Electronic Components

*Click to view similar products for [RF Modules](#) category:*

*Click to view products by [Radiocontrolli](#) manufacturer:*

Other Similar products are found below :

[HMC-C009](#) [nRF24L01P-MODULE-PCB](#) [HMC-C001](#) [HMC-C021](#) [HMC-C024](#) [XB9XT-DPRS-721](#) [XBP24BZ7PIT-004J](#) [XBP9B-DMUTB022](#) [nRF24L01P-MODULE-SMA](#) [CMD-KEY2-418-CRE](#) [XM-C92-2P-UA](#) [XB9XT-DPUS-721](#) [V640-A90](#) [HMC-C583](#) [MAAM-008818-TR3000](#) [MTSMC-H5-U](#) [SIMSA868-PRO](#) [SIMSA915C-PRO](#) [SIMSA868C-PRO](#) [SIMSA433C-PRO](#) [SIMSA915-PRO](#) [XBP9B-DMUT-042](#) [HMC-C582](#) [HMC-C022](#) [XBP9B-DPST-041](#) [XBP9B-DMWT-042](#) [SM-MN-00-HF-RC](#) [HMC-C031](#) [MT-02](#) [M1002GB](#) [702-W](#) [SIMSA868C-N-PRO](#) [SIMSA433C-N-PRO](#) [SIMSA915C-N-PRO](#) [PEPPER WIRELESS C1 USB](#) [S2-1050J-Z0K4J](#) [S2-10732-Z1T61](#) [S2-10716-Z1W4E](#) [S2-107ET-Z1W6D](#) [S2-10686-Z1L1D](#) [S2-10688-Z1L1T](#) [S2-106BA-Z1P20](#) [UC15EA-MINIPCIE](#) [SU60-2230C-PU](#) [RC-TFSK3-868](#) [NANO RFID POE](#) [650201424G](#) [H330 A30-00](#) [CMD-HHCP-433-MD](#) [RC-CC1101-SPI-868](#)