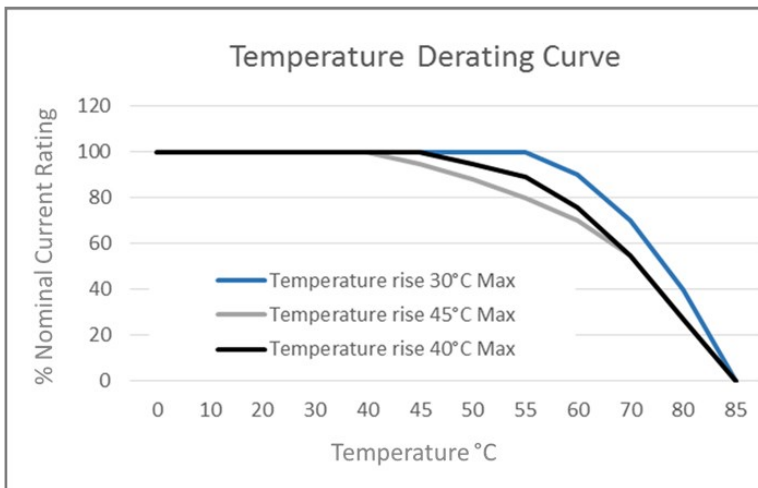


IEC Inlet Filters General Purpose

The RID series of general purpose IEC inlet filters offer good performance for both common mode and differential mode interface, in a standard compact size.

A standard IEC inlet filter available from Roxburgh EMC with quick and easy mounting.

- Current ratings, 1A, 3A, 6A and 10A.
- Rated at 250V.
- Also available with increased x and y caps for optimum performance.
- Customisation services available
- Available from UK stock



Refer to technical specification for specific temperature ratings

Meets overvoltage category II of IEC60664
Complies with BS EN 60950

UL Standard	UL1283
IEC Standard:	IEC 60939-2:2005
CSA Standard	C22.2
CSA File No.	207414

Features:

- UL Approved
- General Purpose
- 1 to 10 Amp Current Ratings
- IEC Inlet with fast-on termination

Application Examples:

- Digital Equipment
- Point-of-sale equipment
- Printers
- Inverters
- Vending and Gaming machines

Benefits:

- Quick and easy mounting
- Safety approvals held
- UK stock

Contact us on:

Tel: +44 (0) 1724 273228

Email: roxburghemc@dem-uk.com

DEM Manufacturing
Deltron Emcon House
Hargreaves Way
Sawcliffe Industrial Park
Scunthorpe
DN15 8RF



Tel: 44 (0) 1724 273200
Fax: 44 (0) 1724 280353
Email: sales@dem-uk.com
Web: www.dem-uk.com/roxburgh

A. General Specifications

Model	Rated Voltage AC,DC[V]	Rated Current [A]	Leakage Current Max. [mA]	Temperature Rise Max. [°C]
RID-01*2-***	250	1	0.35	30
RID-01*3-***	250	1	0.50	30
RID-02*2-***	250	2	0.35	30
RID-02*3-***	250	2	0.50	30
RID-03*2-***	250	3	0.35	30
RID-03*3-***	250	3	0.50	30
RID-06*2-***	250	6	0.35	45
RID-06*3-***	250	6	0.50	45
RID-10*2-***	250	10	0.35	45
RID-10*3-***	250	10	0.50	45
RID-***0-***	250	*	0.01	*
RID-L03*2-***	250	3	0.35	45
RID-L03*3-***	250	3	0.50	45
RID-N03*D-***	250	3	0.10	30
RID-N03*3-***	250	3	0.50	30

*Leakage current measuring method
UL 1283(3rd Edition): -26 and Fig 26.1
*Temperature rise measuring method
VDE 0565-3 : - 2.3.3 and - 4.5

B. Operating Temperature Range

-25°C to +85°C including temperature rise.

C. Withstand Voltage

1500V AC for 1 minute between line and ground.
1800V DC for 1 minute between line and line.

D. Insulation Resistance

300M Ω minimum at 500V DC between line and ground.

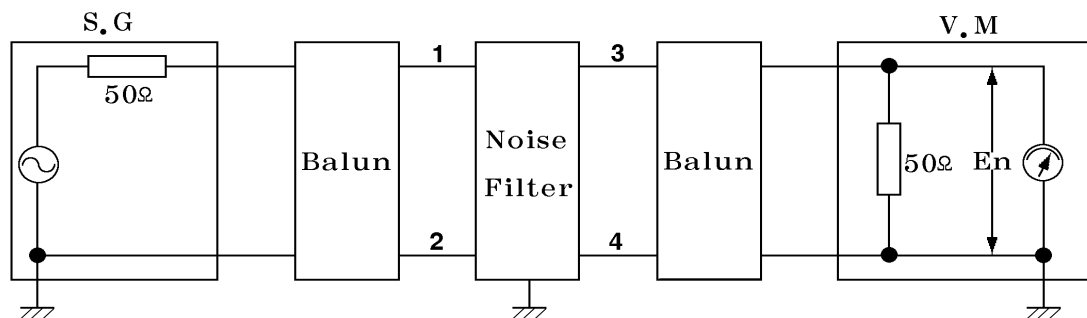
E. Voltage Drop

1 volt maximum at rated current.

F. Circuit Diagram and Component Values

- Refer to attached Appendix page A1

G. Attenuation Measuring Method



OSC Level : 0dB

Insertion loss = $-20\log(E1/E2)$ [dB]

E1 : Level with the Noise Filter in the circuit.

E2 : Level without the Noise Filter in the circuit.

H. Guaranteed Minimum Attenuation In [dB]

- Refer to attached Appendix page A2

I. Shape and Dimension

- Refer to attached Appendix page A3

Item : EMI Filter
Model No : RID-Series

Rev 5

4 - 4

J. Marking

1. Trademark.
2. Model No.
3. Rated Voltage and Current.
4. Operating temperature range.
5. Circuit Diagram and Component Value.
6. Lot No.
7. UL, CSA, Mark.(Except for RID-1042-**,RID-1043-**,RID-10A2-**,RID-***0-**)

K. Material List

- Refer to attached Appendix page A4

L. Packing

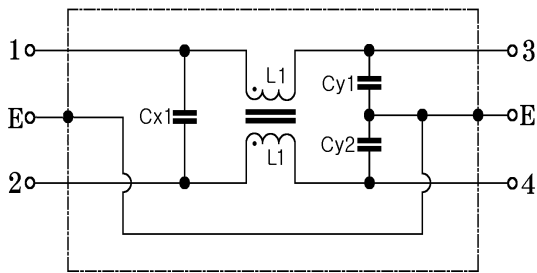
- Refer to attached Appendix page A5

M. Installation instruction

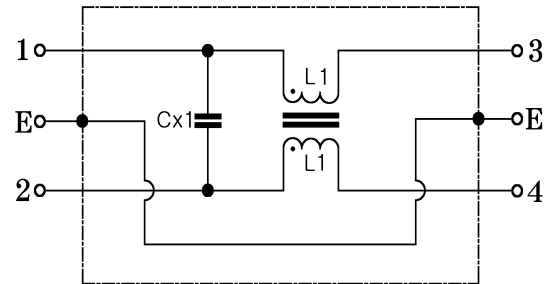
- Refer to attached Appendix page A6

※ .Circuit Diagram and Component Values

1. RID-****-*** TYPE



2. RID-***0-*** TYPE



Model No.	Inductance L1[mH]+50%-30%	Capacitance Cx1[μ F] \pm 20%	Capacitance Cy1, Cy2[pF] \pm 20%
RID-01****	6.0	*	*
RID-02****	2.4	*	*
RID-03****	1.2	*	*
RID-06****	0.53	*	*
RID-10****	0.26	*	*
RID-L03****	2.4	*	*
RID-N03****	5.7	*	*
RID-**22-***	*	0.022	2200
RID-**23-***	*	0.022	3300
RID-**42-***	*	0.047	2200
RID-**43-***	*	0.047	3300
RID-**AD-***	*	0.1	470
RID-**A2-***	*	0.1	2200
RID-**A3-***	*	0.1	3300
RID-**B3-***	*	0.15	3300
RID-***0-***	*	*	(do not exist)

Item : EMI Filter

Rev 5

Model No : RID-Series(Appendix)

A 2 - 1

※.Guaranteed Minimum Attenuation In [dB]

Model	Common mode [MHz]							Normal mode [MHz]						
	0.15	0.45	1	2	5	10	30	0.15	0.45	1	2	5	10	30
RID-0122-**	32	42	48	47	47	48	52	6	12	20	40	44	47	50
RID-0123-**	32	45	50	49	49	50	55	6	12	20	42	46	48	50
RID-0142-**	32	42	49	48	48	48	53	11	20	28	53	55	57	60
RID-0143-**	33	46	50	50	50	50	53	11	19	29	57	56	58	60
RID-01A2-**	30	42	49	49	49	50	60	15	22	32	48	52	62	57
RID-01A3-**	32	43	52	50	50	52	52	14	21	32	52	55	65	55
RID-0222-**	23	34	40	46	49	51	55	6	12	18	26	52	54	60
RID-0223-**	23	34	43	50	51	54	56	6	12	16	30	55	55	60
RID-0242-**	23	34	40	45	45	50	55	11	19	25	35	50	54	60
RID-0243-**	23	34	42	49	52	55	57	11	19	22	38	52	55	60
RID-02A2-**	24	31	40	47	47	50	55	15	22	28	45	49	58	58
RID-02A3-**	22	32	42	50	50	54	50	15	20	25	48	52	60	60
RID-0322-**	17	27	34	40	43	47	50	6	12	18	20	50	52	55
RID-0323-**	17	29	37	42	48	51	55	6	12	17	20	55	55	58
RID-0342-**	18	28	34	40	45	48	55	11	20	26	31	48	52	60
RID-0343-**	18	27	37	42	48	50	55	11	19	23	30	50	53	60
RID-03A2-**	15	25	33	40	47	50	54	12	22	28	38	45	55	55
RID-03A3-**	16	25	35	42	50	55	52	15	21	26	37	50	56	56
RID-0622-**	11	21	28	34	39	42	50	6	12	19	22	45	50	55
RID-0623-**	11	22	30	38	45	48	55	6	12	19	20	50	52	57
RID-0642-**	11	21	27	33	40	43	53	11	20	27	31	44	50	57
RID-0643-**	11	21	29	36	43	48	55	11	20	26	28	49	52	57
RID-06A2-**	10	19	28	33	42	46	62	15	22	28	38	40	49	56
RID-06A3-**	10	21	30	37	45	50	52	15	22	30	34	45	55	57
RID-1022-**	5	13	20	27	33	38	48	6	12	20	24	33	47	55
RID-1023-**	5	15	23	30	35	40	50	6	12	19	22	40	50	58
RID-1042-**	3	15	21	26	33	38	43	10	20	25	30	34	40	46
RID-1043-**	6	18	24	31	39	42	48	10	20	26	31	41	47	59

Item : EMI Filter

Rev 5

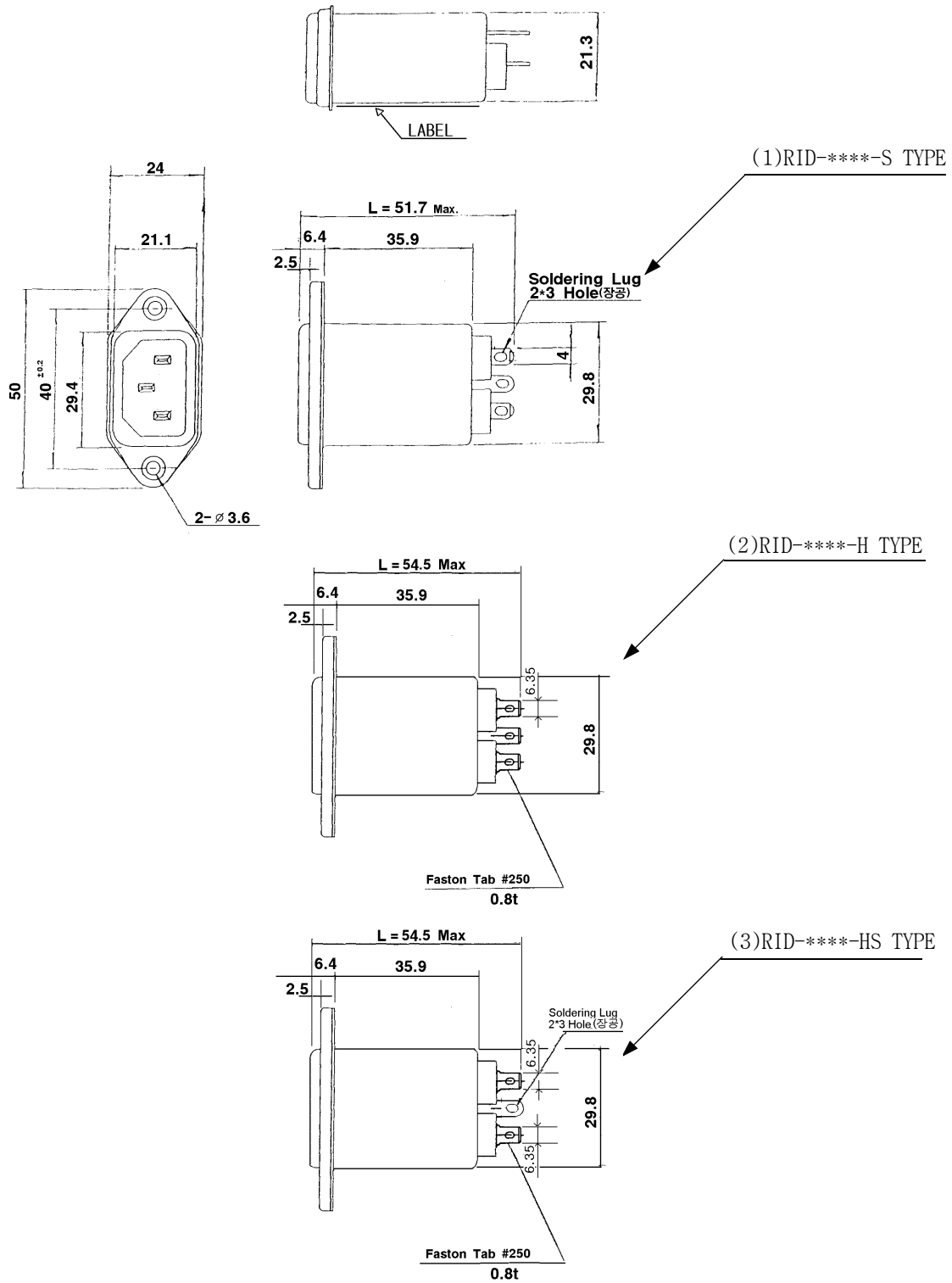
Model No : RID-Series(Appendix)

A 2 - 2

※.Guaranteed Minimum Attenuation In [dB]

Model	Common mode [MHz]							Normal mode [MHz]						
	0.15	0.45	1	2	5	10	30	0.15	0.45	1	2	5	10	30
RID-10A2-***	6	17	23	28	35	39	52	15	26	32	39	30	44	57
RID-L0322-***	23	34	40	46	49	51	55	6	12	18	26	52	54	60
RID-L0323-***	23	34	43	50	51	54	56	6	12	16	30	55	55	60
RID-L0342-***	23	34	40	45	45	50	55	11	19	25	35	50	54	60
RID-L0343-***	23	34	42	49	52	55	57	11	19	22	38	52	55	60
RID-L03A2-***	24	31	40	47	47	50	55	15	22	28	45	49	58	58
RID-L03A3-***	22	32	42	50	50	54	50	15	20	25	48	52	60	60
RID-0640-***	7	17	22	22	22	18	12	8	18	24	32	40	32	25
RID-N03B3-***	23	31	38	40	41	43	40	12	21	29	35	45	51	56

※ .Shape and Dimension Unit : [mm]



※GENERAL TOLERANCE : ±0.3mm

※ .Packing

1. Quantity & Weight

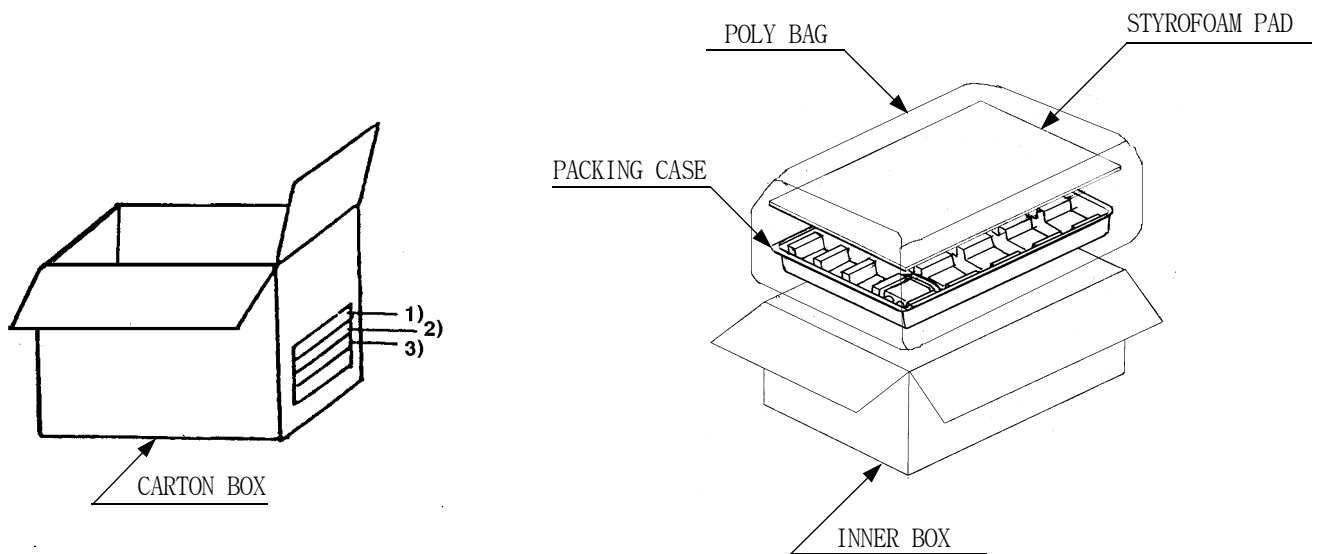
Packing Case	Q'ty/ 1 Box	Gross Weight(kg)
Carton Box	400	22.4
Inner Box	100	5.1

2. Packing Case

Packing Case	Q'ty	Material	Dimension(W×L×Hmm)
Carton Box	1/400	SK3SA	306×385×293
Inner Box	1/100	SKSA B type	186×296×136
Packing Case	1/20	P.E.T	295×185×32.5(0.6t)
Styrofoam Pad	1/100	PS	290×178×8t
Poly Bag	1/100	P.E ,t=30u	400×470

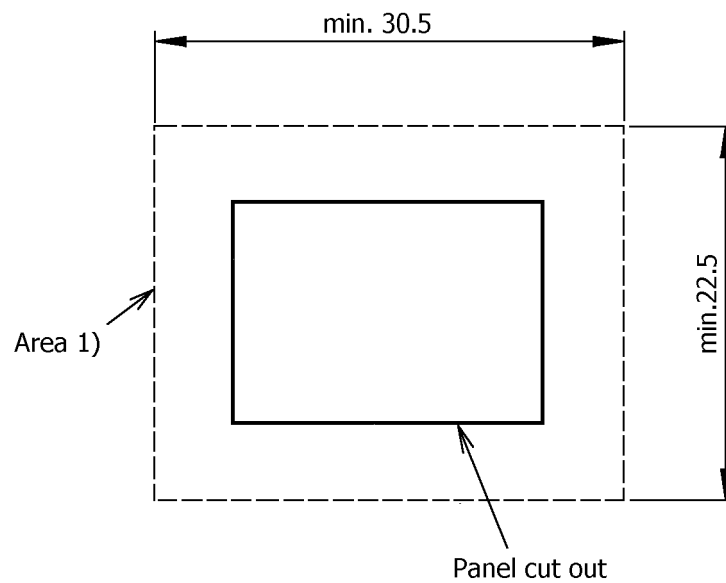
3. Marking

- 1) Model No.
- 2) Q'ty of products
- 3) Lot No.



※ Installation instruction

When mounting, the clearance of min. 30.5 x 22.5mm(area 1 in the standard sheet C14) to guarantee the normative inserting of connectors shall be maintained durable by built-in.



X-ON Electronics

Largest Supplier of Electrical and Electronic Components

Click to view similar products for [AC Power Entry Modules](#) category:

Click to view products by [ROXBURGH EMC](#) manufacturer:

Other Similar products are found below :

[0098.0050](#) [6-1609987-9](#) [6167.0002](#) [7-6609955-2](#) [FN389-4-22](#) [FN9233ER-12-06](#) [FN9233S1-10-06](#) [FN9233S1-8-06](#) [FN9233S1B-8-06](#)
[FN9233S1R-1-06](#) [FN9233S1R-12-06](#) [FN9233SB-1-06](#) [FN9233SB-12-06](#) [FN9233SB-8-06](#) [FN9233SR-10-06](#) [FN9233SR-3-06](#) [FN9244B-15-06](#)
[HI](#) [FN9244EB-3-06](#) [FN9244EB-8-06](#) [FN9244ER-15-06](#) [FN9244ER-8-06](#) [FN9244ES1-8-06](#) [FN9244ESB-8-06](#) [FN9244EU-6-06](#)
[FN9244R-12-06](#) [FN9244R-3-07](#) [FN9244R-8-06](#) [FN9244S1-10-06](#) [FN9244S1-12-06](#) [FN9244S1-3-06](#) [FN9244S1B-6-06](#) [FN9244S1R-3-06](#)
[FN9244S-6-06](#) [FN9244SB-10-06](#) [FN9244SB-6-06](#) [FN9244SB-8-06](#) [FN9244SR-10-06](#) [FN9244SR-6-06](#) [FN9244U-3-06](#) [FN9244U-8-06](#)
[FN9260A-6-06](#) [PE00SSSXB](#) [Fuse-H-EUR-1](#) [Fuse-H-USA-1](#) [PM00XD000](#) [PS0SSDBX0](#) [PS0SXSH3B](#) [A-0701-HT-H](#) [RAPC3FG](#) [15EJMS8](#)