

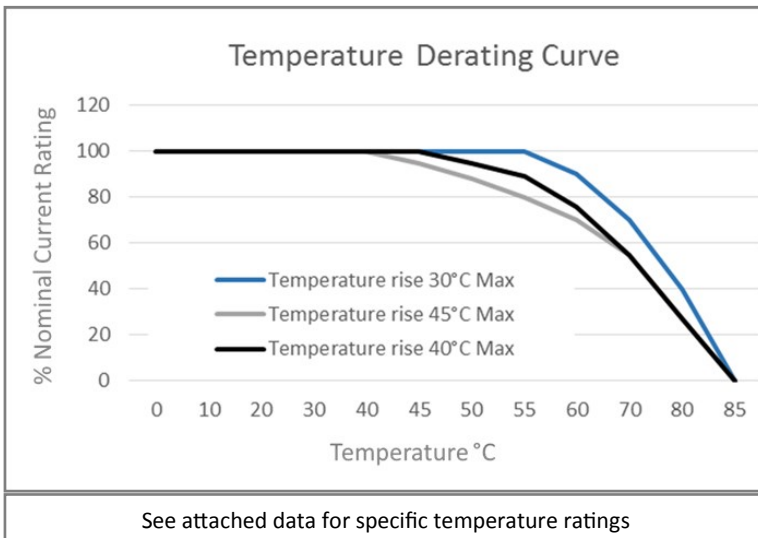
# RIS Series IEC Inlet Filters

## Twin Fused - Screw Fix

The RIS series of general purpose IEC inlet filters offers good performance for both common mode and differential mode interface, in a standard compact size.

A standard IEC inlet filter available from Roxburgh EMC with quick and easy mounting.

- Current ratings, 2A, 4A and 6A
- Rated at 250V
- Also available with increased x and y caps for optimum performance
- Customisation services available
- Available from UK stock



Meets overvoltage category II of IEC664  
Complies with BS EN 60950

UL Standard: UL1283  
UL File No. E191581  
CSA Standard: C22.2

### Features:

- UL Approved
- General Purpose
- 2 to 6 Amp Current Ratings
- IEC Inlet with fast-on termination

### Application Examples:

- Digital Equipment
- Point-of-sale equipment
- Printers
- Inverters
- Vending and Gaming machines

### Benefits:

- Quick and easy mounting
- Safety approvals held
- UK stock

### Technical specification attached includes:

**part numbers**  
**mechanical data**  
**electrical values**

**DEM Manufacturing**  
Deltron Emcon House  
Hargreaves Way  
Sawcliffe Industrial Park  
Scunthorpe  
DN15 8RF



Tel: 44 (0) 1724 273200  
Fax: 44 (0) 1724 280353  
Email: sales@dem-uk.com  
Web: www.dem-uk.com/roxburgh

Item : EMI Filter  
Model No : RIS-Series

Rev. 2

3 - 2

## A. General Specifications

Model	Rated Voltage AC,DC[V]	Rated Current [A]	Leakage Current Max. [mA]	Temperature Rise Max. [°C]
RIS-02*2-H*	250	2	0.35	40
RIS-04*2-H*	250	4	0.35	45
RIS-06*2-H*	250	6	0.35	45

\* Leakage current measuring method  
UL 1283(3rd Edition): -26 and Fig 26.1

\* Temperature rise measuring method  
VDE 0565-3 : - 2.3.3 and - 4.5

## B. Operating Temperature Range

-25°C to +85°C including temperature rise.

## C. Withstand Voltage

1500V AC for 1 minute between line and ground.

1800V DC for 1 minute between line and line. (Without bleeder resistor)

## D. Insulation Resistance

300M $\Omega$  minimum at 500V DC between line and ground.

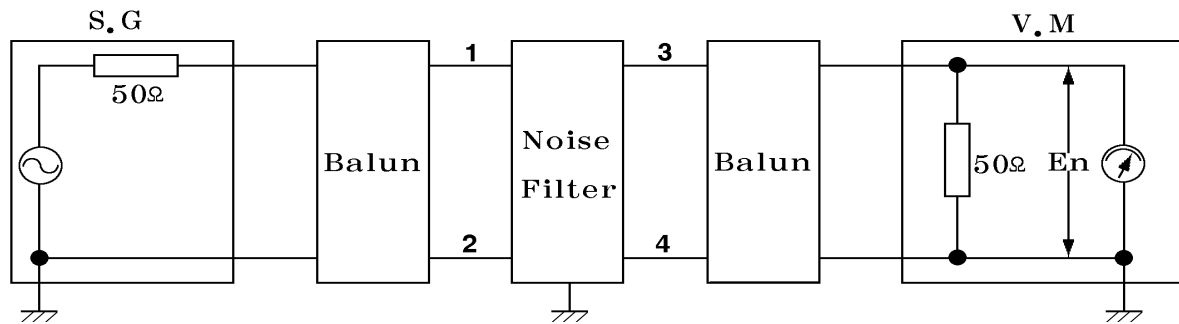
## E. Voltage Drop

1 volt maximum at rated current.

## F. Circuit Diagram and Component Values

-Refer to attached Appendix page A1

### G. Attenuation Measuring Method



OSC Level : 0dB

Insertion loss =  $-20\log(E1/E2)$ [dB]

E1 : Level with the Noise Filter in the circuit.

E2 : Level without the Noise Filter in the circuit

### H. Guaranteed Minimum Attenuation In [dB]

-Refer to attached Appendix page A1

### I. Shapes and Dimensions

-Refer to attached Appendix page A2

### J. Marking

1. Trademark.
2. Model No.
3. Rated voltage and current.
4. Operating temperature range.
5. Circuit diagram and component values.
6. Lot No.
7. UL, CSA Mark.

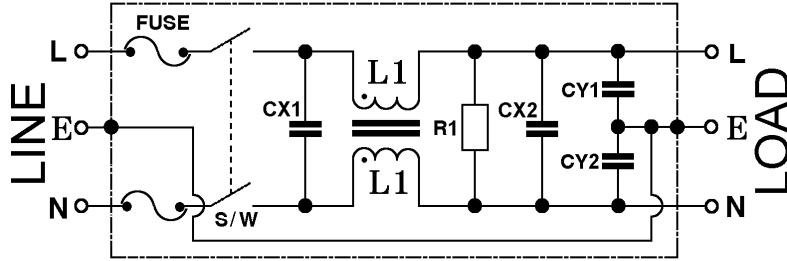
### K. Material List

-Refer to attached Appendix page A3

### L. Packing

-Refer to attached Appendix page A4

※ . Circuit Diagram and Component Values



Model No.	Fuse-Rated Current [A]	Inductance L1[mH], +50, -30%	X-Capacitor CX1[μF] ± 20%	X-Capacitor CX2[μF] ± 20%	Resistor R[Ω] ± 10%	Y-Capacitor CY1, 2[pF] ± 20%
RIS-0212-H1	2	10.5	0.1	0.1	1M, 1/2W	2200
RIS-0222-H2	2	10.5	0.22	0.22	510K, 1/2W	
RIS-0412-H1	4	4.2	0.1	0.1	1M, 1/2W	
RIS-0422-H2	4	4.2	0.22	0.22	510K, 1/2W	
RIS-0612-H1	6.3	1.6	0.1	0.1	1M, 1/2W	
RIS-0622-H2	6.3	1.6	0.22	0.22	510K, 1/2W	

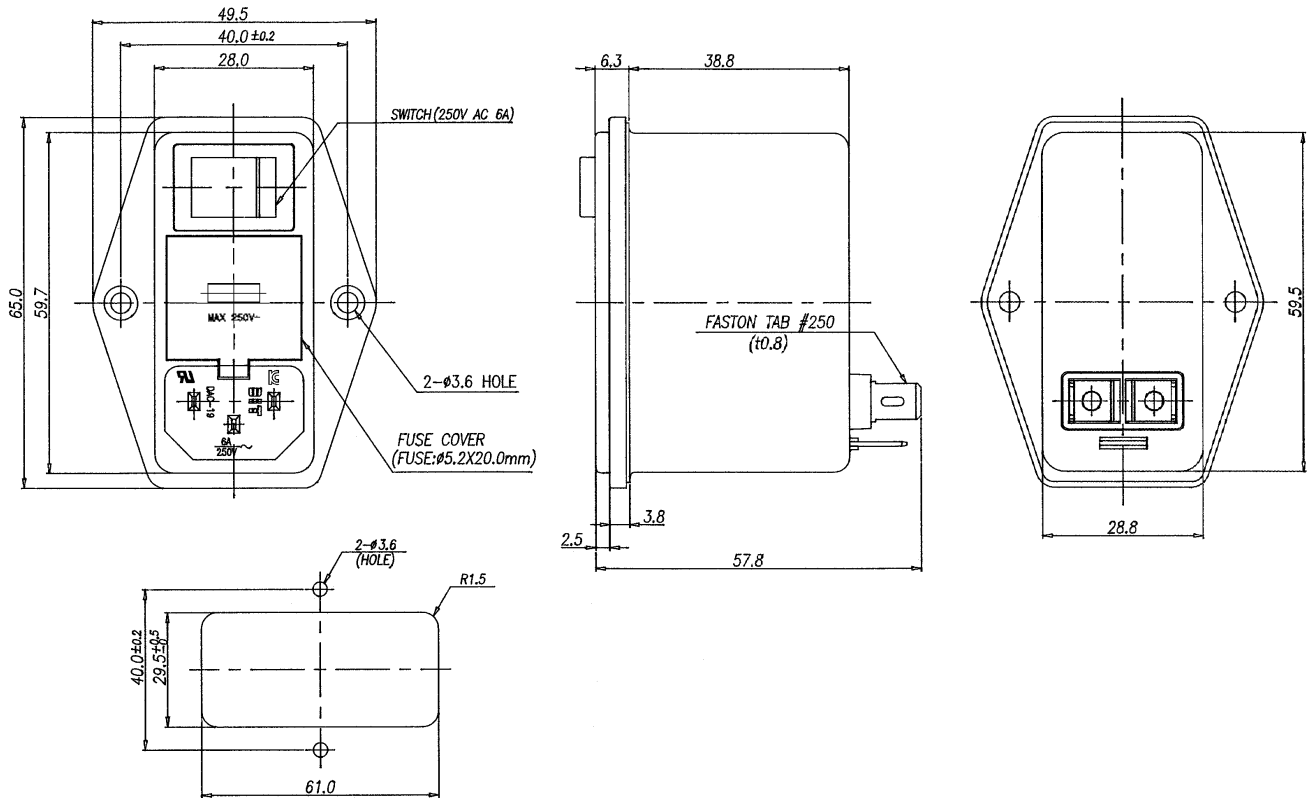
※ . Guaranteed Minimum Attenuation In [dB]

Model	Common mode [MHz]							Normal mode [MHz]						
	0.15	0.45	1	2	5	10	30	0.15	0.45	1	2	5	10	30
RIS-0212-H1	36	50	43	40	38	38	36	22	53	75	86	75	66	51
RIS-0222-H2	38	50	44	39	39	39	32	38	70	88	88	71	65	52
RIS-0412-H1	28	40	45	45	44	42	37	9	44	64	82	79	65	50
RIS-0422-H2	29	41	45	43	42	42	35	25	60	82	87	77	66	50
RIS-0612-H1	20	31	36	42	45	43	50	16	32	55	78	76	69	65
RIS-0622-H2	20	31	35	42	45	45	40	15	50	71	85	69	65	63

Item : EMI Filter  
Model No : RIS-Series

Rev. 2  
A 2

※ . Shapes and Dimensions Unit: [mm]



\* Panel cutout dimensions  
mount from frontside.

General tolerance: ±1.0

## ※ . Packing

### 1. Quantity & Weight

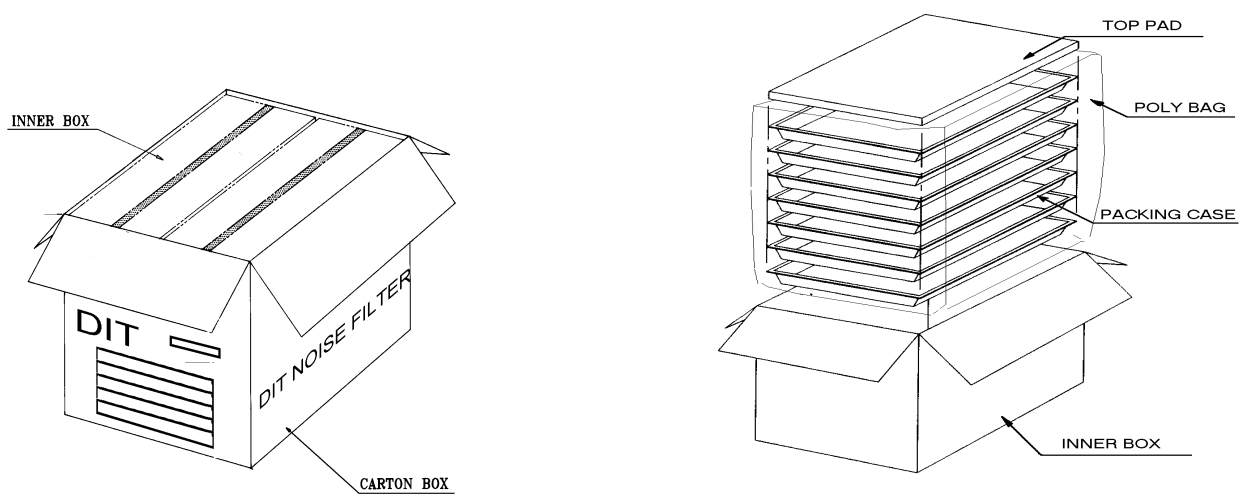
Packing Case	Q'ty/ 1 Box	Gross Weight(kg)
CARTON BOX	100	17
INNER BOX	50	7.5

### 2. Packing Case

Packing Case	Q'ty	Material	Dimension(W×L×Hmm)
CARTON BOX	1/100	SK3SA	360×346×249
INNER BOX	1/50	SKSA B Type	328×170×215
PACKING CASE	1/10	P.E.T	318×163×47
TOP PAD	1/50	Styrofoam(PS)	310×155×8t
POLY BAG	1/50	PE SHEET	360×550

### 3. Marking

- 1) Model No.
- 2) Q'ty of products
- 3) Lot No.
- 4) Trademark



## X-ON Electronics

Largest Supplier of Electrical and Electronic Components

*Click to view similar products for [AC Power Entry Modules](#) category:*

*Click to view products by [ROXBURGH EMC](#) manufacturer:*

Other Similar products are found below :

[0098.0050](#) [6-1609987-9](#) [6167.0002](#) [7-6609955-2](#) [FN389-4-22](#) [FN9233ER-12-06](#) [FN9233S1-10-06](#) [FN9233S1-8-06](#) [FN9233S1B-8-06](#)  
[FN9233S1R-1-06](#) [FN9233S1R-12-06](#) [FN9233SB-1-06](#) [FN9233SB-12-06](#) [FN9233SB-8-06](#) [FN9233SR-10-06](#) [FN9233SR-3-06](#) [FN9244B-15-](#)  
[06HI](#) [FN9244EB-3-06](#) [FN9244EB-8-06](#) [FN9244ER-15-06](#) [FN9244ER-8-06](#) [FN9244ES1-8-06](#) [FN9244ESB-8-06](#) [FN9244EU-6-06](#)  
[FN9244R-12-06](#) [FN9244R-3-07](#) [FN9244R-8-06](#) [FN9244S1-10-06](#) [FN9244S1-12-06](#) [FN9244S1-3-06](#) [FN9244S1B-6-06](#) [FN9244S1R-3-06](#)  
[FN9244S-6-06](#) [FN9244SB-10-06](#) [FN9244SB-6-06](#) [FN9244SB-8-06](#) [FN9244SR-10-06](#) [FN9244SR-6-06](#) [FN9244U-3-06](#) [FN9244U-8-06](#)  
[FN9260A-6-06](#) [PE00SSSXB](#) [Fuse-H-EUR-1](#) [Fuse-H-USA-1](#) [PM00XD000](#) [PS0SSDBX0](#) [PS0SXSH3B](#) [A-0701-HT-H](#) [RAPC3FG](#) [15EJMS8](#)